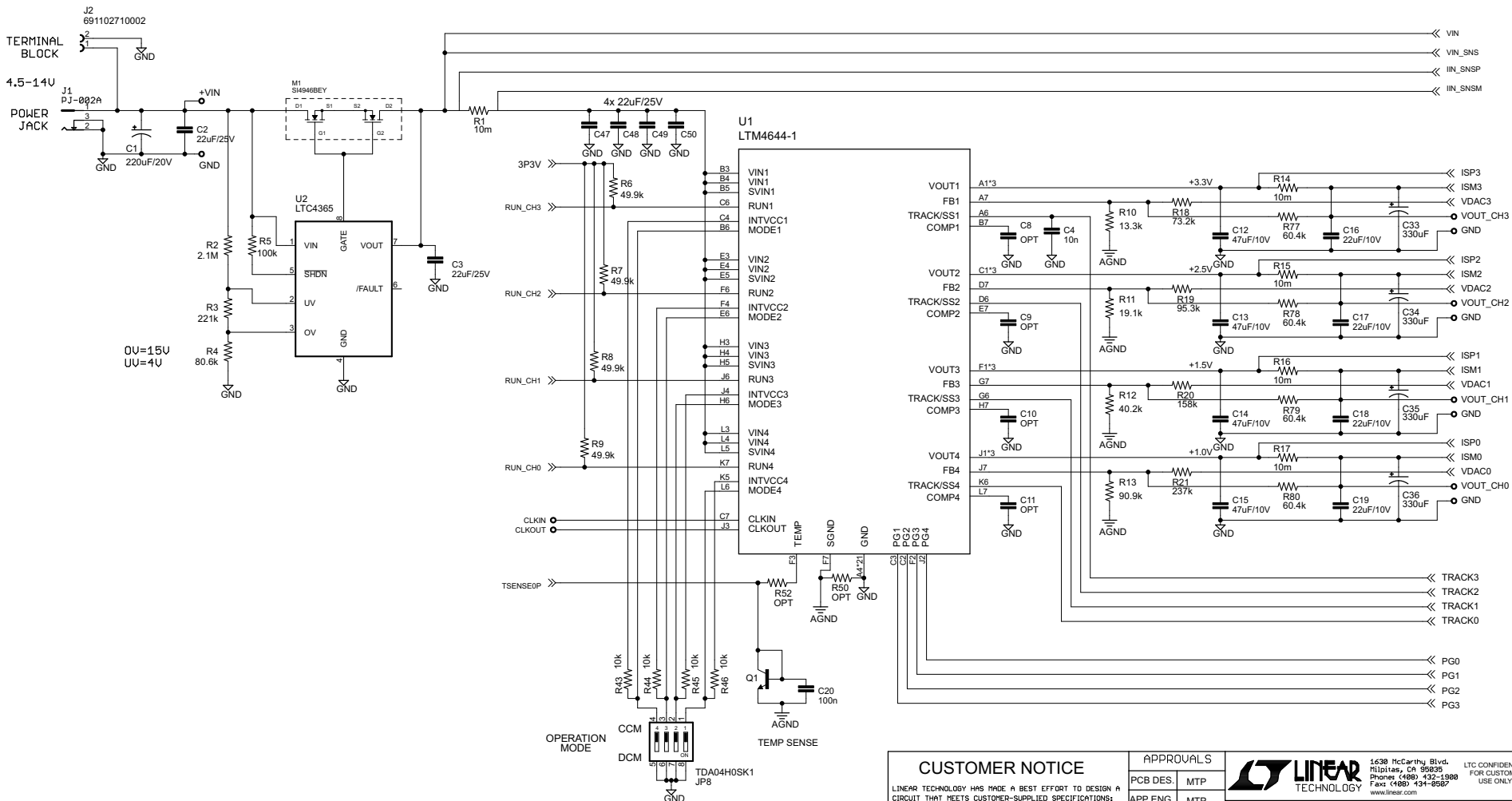


REVISION HISTORY				
ECO	REV	DESCRIPTION	APPROVED	DATE
-	1b	Production	M. Peters	11-28-16

Input Protection (OV/UV/Reverse)

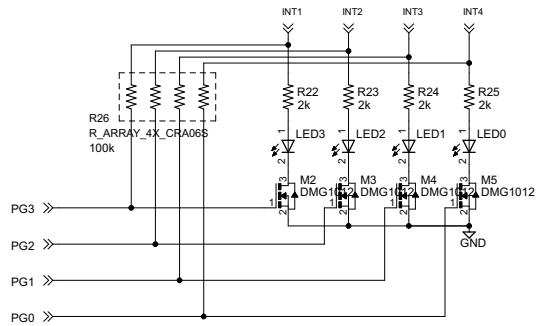
Quad 4A DC/DC Converter



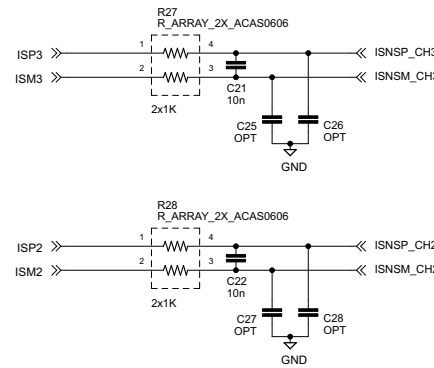
CUSTOMER NOTICE		APPROVALS			1538 McCarthy Blvd. Milpitas, CA 95035 Phone: (408) 432-1900 Fax: (408) 434-9927 www.linear.com	LTC CONFIDENTIAL FOR CUSTOMER USE ONLY	
LINEAR TECHNOLOGY HAS MADE A BEST EFFORT TO DESIGN A CIRCUIT THAT MEETS CUSTOMER-SUPPLIED SPECIFICATIONS; HOWEVER, IT REMAINS THE CUSTOMER'S RESPONSIBILITY TO VERIFY PROPER AND RELIABLE OPERATION IN THE ACTUAL APPLICATION. COMPONENT SUBSTITUTION AND PRINTED CIRCUIT BOARD LAYOUT MAY SIGNIFICANTLY AFFECT CIRCUIT PERFORMANCE OR RELIABILITY. CONTACT LINEAR TECHNOLOGY APPLICATIONS ENGINEERING FOR ASSISTANCE.		PCB DES.	MTP				TITLE: LTM4644-1 Quad 4A Supply with 50-pin Connector to Power System Manager
THIS CIRCUIT IS PROPRIETARY TO LINEAR TECHNOLOGY AND SUPPLIED FOR USE WITH LINEAR TECHNOLOGY PARTS		APP ENG.	MTP	SIZE: B IC NO. LTM4644-1 Demo Circuit 2363A			REV: 1b
		SCALE = NONE		DATE: 11/29/2016 11:03:14 AM		SHEET: 1/3	

REVISION HISTORY				
ECO	REV	DESCRIPTION	APPROVED	DATE
-	1b	Production	M.Peters	11-28-16

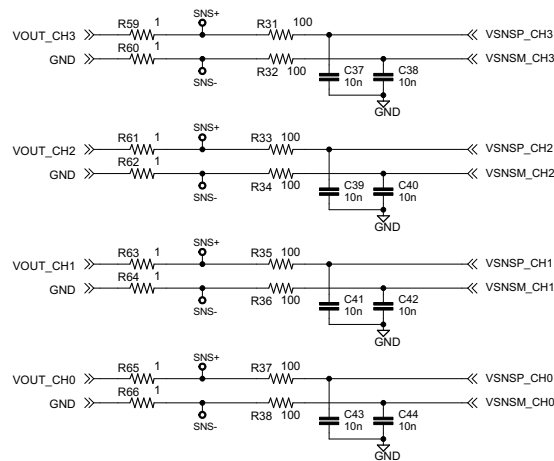
LED Indication



Current Sense Filtering

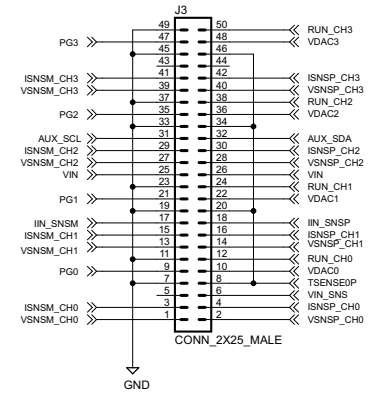


Voltage Sense Filtering

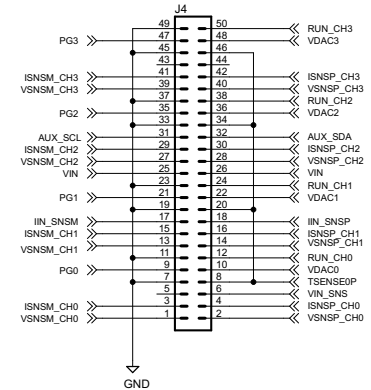


NOTE: REMOVE R59-R66 FOR REMOTE SENSING

Board-to-Board Connector



Test Points/ Optional Header

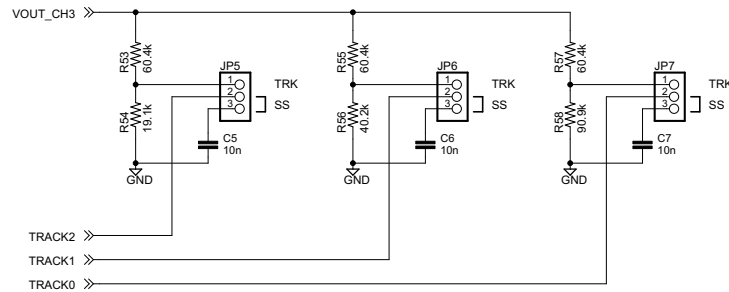


APPROVALS		LTC CONFIDENTIAL	
PCB DES.	MTP	FOR CUSTOMER USE ONLY	
APP ENG.	MTP	www.linear.com	
TITLE: LTM4644-1 Quad 4A Supply with 50-pin Connector to Power System Manager		1430 McCarty Blvd, Milpitas, CA 95035 Phone (408) 432-1900 Fax (408) 434-9927	
SIZE B		IC NO. LTM4644-1	REV: 1b
SCALE = NONE		DATE: 11/29/2016 11:03:14 AM	SHEET: 2/3

THIS CIRCUIT IS PROPRIETARY TO LINEAR TECHNOLOGY AND SUPPLIED FOR USE WITH LINEAR TECHNOLOGY PARTS

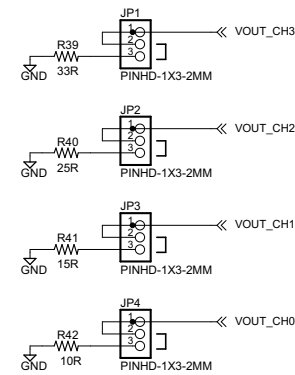
REVISION HISTORY				
ECO	REV	DESCRIPTION	APPROVED	DATE
-	1b	Production	M. Peters	11-28-16

Tracking/SoftStart Jumpers



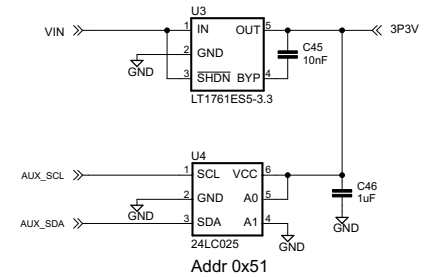
By default, jumpers set to SoftStart

Pre-Load Jumpers

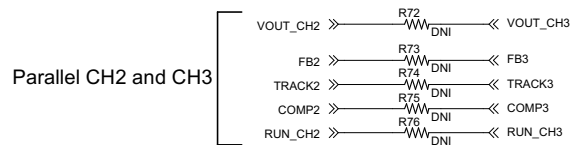
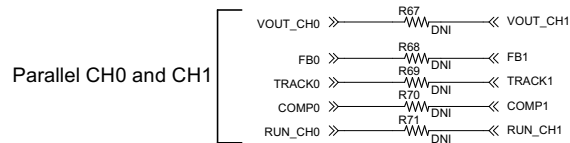


By default, jumpers set to pre-load ON

+3.3V LDO and Identity EEPROM



Optional Jumpers for Parallel Operation



R67 thru R76 are 0 ohm

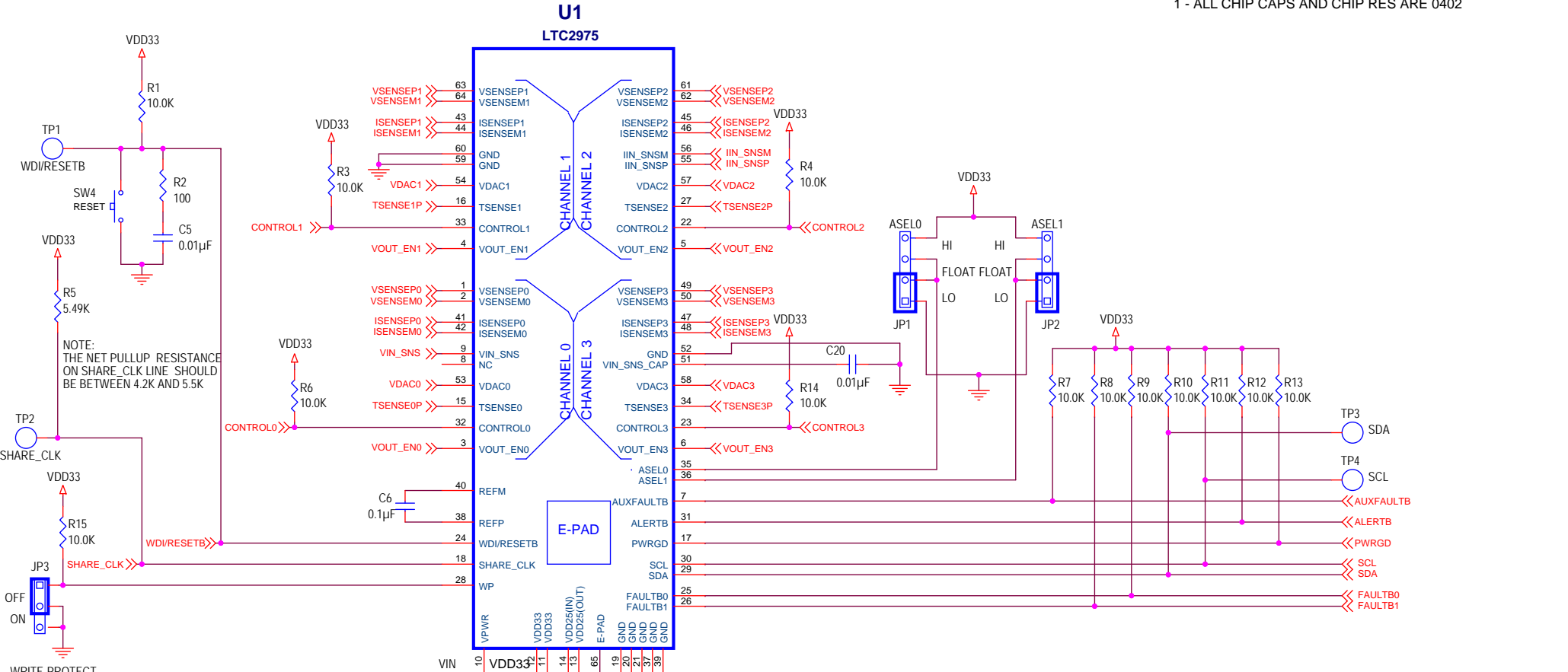
APPROVALS			<small>1538 McCarthy Blvd. Folsom, CA 95630 Phone: (408) 432-1980 Fax: (408) 434-9557 www.linear.com</small>		LTC CONFIDENTIAL FOR CUSTOMER USE ONLY
PCB DES.	MTP				
APP ENG.	MTP	TITLE: LTM4644-1 Quad 4A Supply with 50-pin Connector to Power System Manager			
		SIZE B	IC NO. LTM4644-1 Demo Circuit 2363A	REV: 1b	
THIS CIRCUIT IS PROPRIETARY TO LINEAR TECHNOLOGY AND SUPPLIED FOR USE WITH LINEAR TECHNOLOGY PARTS		SCALE = NONE	DATE: 11/29/2016 11:03:14 AM	SHEET: 3/3	

NOTE:
MAKE ALL TSENSE
TRACES SHIELDED
AND DIFFERENTIAL
PLACE CAPS
AND GND CONNECTIONS
CAPS NEAR LTC2975



REVISION HISTORY				
ECO	REV	DESCRIPTION	APPROVED	DATE
-	1	PROTOTYPE	MICHAEL P.	05-18-15

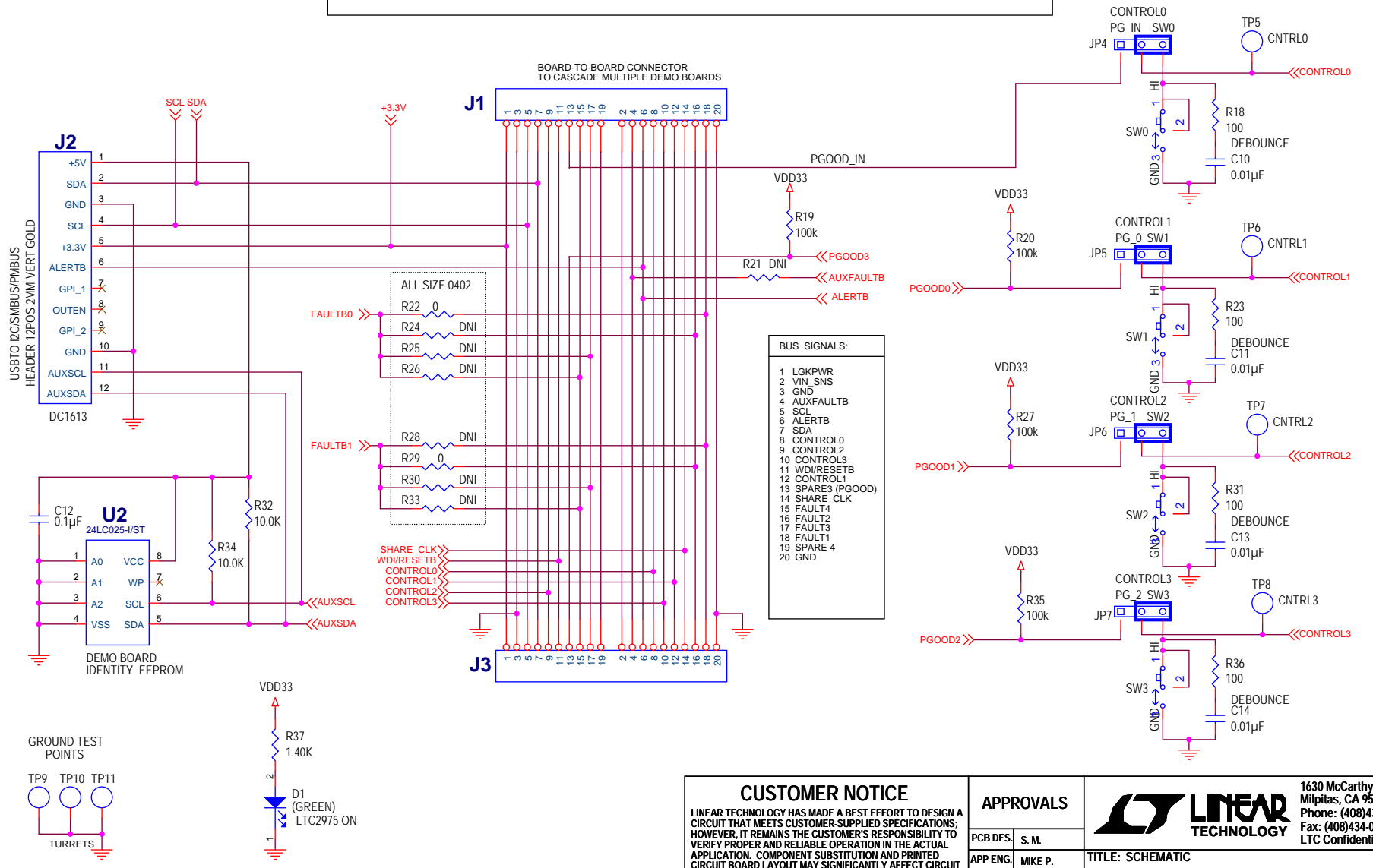
NOTES - UNLESS OTHERWISE SPECIFIED:
1 - ALL CHIP CAPS AND CHIP RES ARE 0402



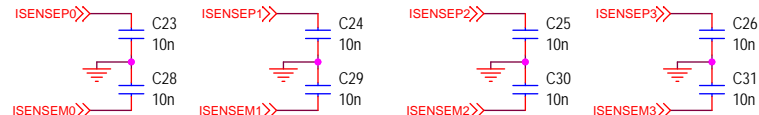
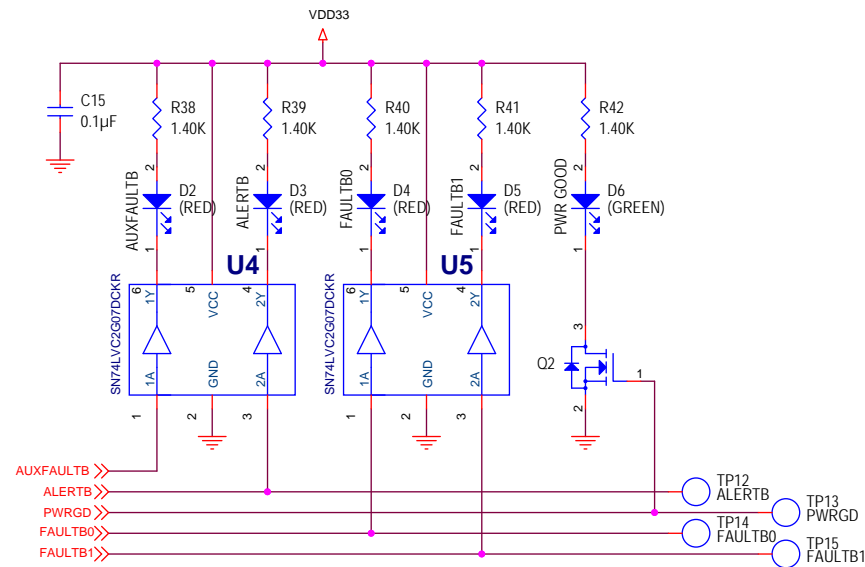
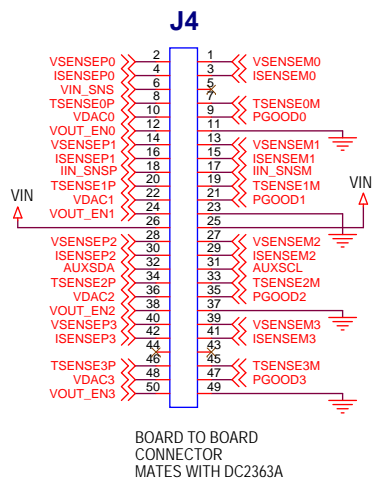
NOTE:
THE NET PULLUP RESISTANCE
ON SHARE_CLK LINE SHOULD
BE BETWEEN 4.2K AND 5.5K

<p>CUSTOMER NOTICE</p> <p>LINEAR TECHNOLOGY HAS MADE A BEST EFFORT TO DESIGN A CIRCUIT THAT MEETS CUSTOMER-SUPPLIED SPECIFICATIONS; HOWEVER, IT REMAINS THE CUSTOMER'S RESPONSIBILITY TO VERIFY PROPER AND RELIABLE OPERATION IN THE ACTUAL APPLICATION. COMPONENT SUBSTITUTION AND PRINTED CIRCUIT BOARD LAYOUT MAY SIGNIFICANTLY AFFECT CIRCUIT PERFORMANCE OR RELIABILITY. CONTACT LINEAR TECHNOLOGY APPLICATIONS ENGINEERING FOR ASSISTANCE.</p>	<p>APPROVALS</p>		<p>1630 McCarthy Blvd. Milpitas, CA 95035 Phone: (408)432-1900 www.linear.com Fax: (408)434-0507 LTC Confidential-For Customer Use Only</p>	
	PCB DES:	S. M.		<p>TITLE: SCHEMATIC</p> <p>4-CHANNEL PMBUS POWER SYSTEM MANAGER</p>
	APP ENG:	MIKE P.		
	<p>THIS CIRCUIT IS PROPRIETARY TO LINEAR TECHNOLOGY AND SUPPLIED FOR USE WITH LINEAR TECHNOLOGY PARTS.</p>			SCALE = NONE
			<p>REV. 1</p> <p>SHEET 1 OF 3</p>	


ALL PARTS ON THIS PAGE ARE FOR DEMO ONLY, NOT NEEDED IN CUSTOMER DESIGN



<p>CUSTOMER NOTICE</p> <p>LINEAR TECHNOLOGY HAS MADE A BEST EFFORT TO DESIGN A CIRCUIT THAT MEETS CUSTOMER-SUPPLIED SPECIFICATIONS; HOWEVER, IT REMAINS THE CUSTOMER'S RESPONSIBILITY TO VERIFY PROPER AND RELIABLE OPERATION IN THE ACTUAL APPLICATION. COMPONENT SUBSTITUTION AND PRINTED CIRCUIT BOARD LAYOUT MAY SIGNIFICANTLY AFFECT CIRCUIT PERFORMANCE OR RELIABILITY. CONTACT LINEAR TECHNOLOGY APPLICATIONS ENGINEERING FOR ASSISTANCE.</p>		<p>APPROVALS</p>		<p>1630 McCarthy Blvd. Milpitas, CA 95035 Phone: (408)432-1900 www.linear.com Fax: (408)434-0507 LTC Confidential-For Customer Use Only</p>	
		PCB DES:	S. M.		
THIS CIRCUIT IS PROPRIETARY TO LINEAR TECHNOLOGY AND SUPPLIED FOR USE WITH LINEAR TECHNOLOGY PARTS.		APP ENG:	MIKE P.	4-CHANNEL PMBUS POWER SYSTEM MANAGER	
		SCALE:	NONE	SIZE:	N/A
		DATE:	Monday, June 22, 2015	IC NO.:	LTC2975IUP
				REV.:	1
				SHEET 2 OF 3	



INPUT FILTERS FOR CURRENT SENSING
PLACE CLOSE TO LTC2975

CUSTOMER NOTICE		APPROVALS		 1630 McCarthy Blvd. Milpitas, CA 95035 Phone: (408)432-1900 www.linear.com Fax: (408)434-0507 LTC Confidential-For Customer Use Only
LINEAR TECHNOLOGY HAS MADE A BEST EFFORT TO DESIGN A CIRCUIT THAT MEETS CUSTOMER-SUPPLIED SPECIFICATIONS; HOWEVER, IT REMAINS THE CUSTOMER'S RESPONSIBILITY TO VERIFY PROPER AND RELIABLE OPERATION IN THE ACTUAL APPLICATION. COMPONENT SUBSTITUTION AND PRINTED CIRCUIT BOARD LAYOUT MAY SIGNIFICANTLY AFFECT CIRCUIT PERFORMANCE OR RELIABILITY. CONTACT LINEAR TECHNOLOGY APPLICATIONS ENGINEERING FOR ASSISTANCE.		PCB DES:	S. M.	
		APP ENG:	MIKE P.	
		THIS CIRCUIT IS PROPRIETARY TO LINEAR TECHNOLOGY AND SUPPLIED FOR USE WITH LINEAR TECHNOLOGY PARTS.		SCALE = NONE
DATE: Monday, June 22, 2015			SHEET 3 OF 3	