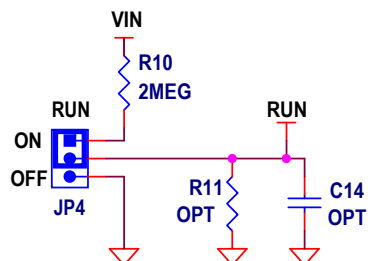
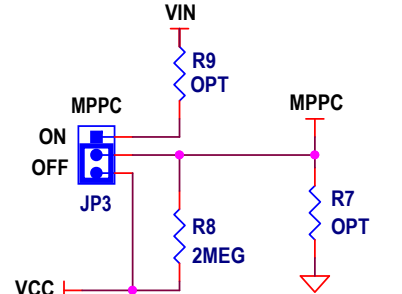
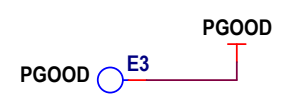
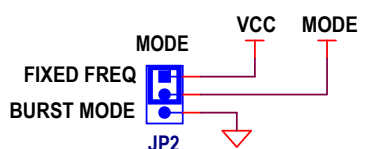
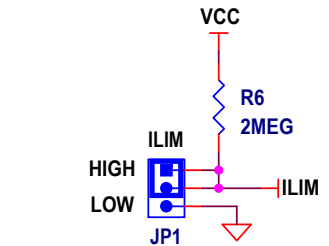
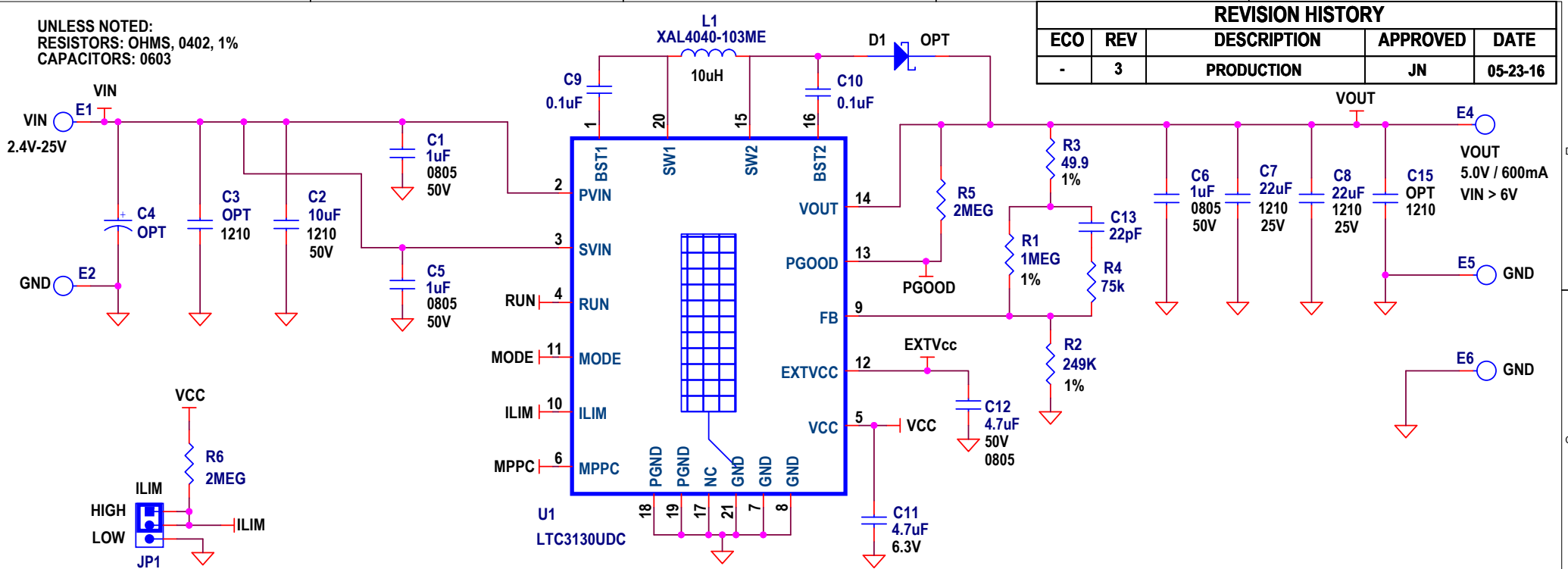


UNLESS NOTED:
RESISTORS: OHMS, 0402, 1%
CAPACITORS: 0603

REVISION HISTORY				
ECO	REV	DESCRIPTION	APPROVED	DATE
-	3	PRODUCTION	JN	05-23-16



NOTE: FOR MPPC, REMOVE R8 AND POPULATE R7 AND R9. DO NOT ALLOW MPPC PIN VOLTAGE TO EXCEED 6.0V.

NOTES:
1) Connect GND of R2, R7, R11, C11, C12 and C14 directly to pins 7 and 8. Connect pins 7 and 8 to IC Pad directly under IC. Connect pins 18 and 19 to copper plane and IC pad directly under IC.

CUSTOMER NOTICE
LINEAR TECHNOLOGY HAS MADE A BEST EFFORT TO DESIGN A CIRCUIT THAT MEETS CUSTOMER-SUPPLIED SPECIFICATIONS; HOWEVER, IT REMAINS THE CUSTOMER'S RESPONSIBILITY TO VERIFY PROPER AND RELIABLE OPERATION IN THE ACTUAL APPLICATION. COMPONENT SUBSTITUTION AND PRINTED CIRCUIT BOARD LAYOUT MAY SIGNIFICANTLY AFFECT CIRCUIT PERFORMANCE OR RELIABILITY. CONTACT LINEAR TECHNOLOGY APPLICATIONS ENGINEERING FOR ASSISTANCE.

THIS CIRCUIT IS PROPRIETARY TO LINEAR TECHNOLOGY AND SUPPLIED FOR USE WITH LINEAR TECHNOLOGY PARTS.

APPROVALS	
PCB DES.	NC
APP ENG.	JN
SCALE = NONE	

LINEAR TECHNOLOGY
1630 McCarthy Blvd.
Milpitas, CA 95035
Phone: (408)432-1900 www.linear.com
Fax: (408)434-0507
LTC Confidential-For Customer Use Only

TITLE: SCHEMATIC 25V, 600mA BUCK-BOOST DC / DC CONVERTER WITH 1.6uA QUIESCENT CURRENT

SIZE	IC NO.	REV.
N/A	LTC3130UDC	3
DATE: 05-23-16		SHEET 1 OF 1