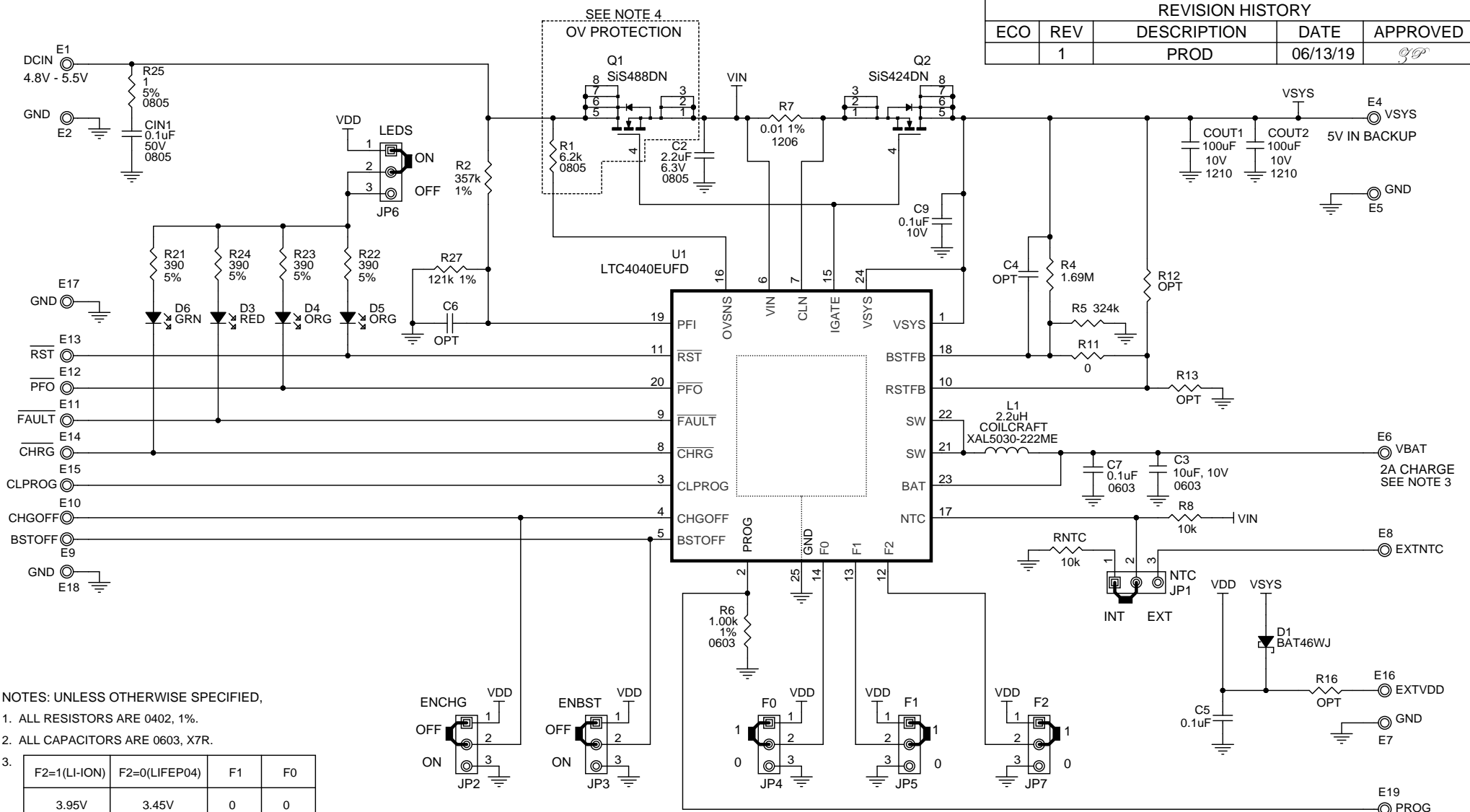


REVISION HISTORY				
ECO	REV	DESCRIPTION	DATE	APPROVED
	1	PROD	06/13/19	<i>JP</i>



NOTES: UNLESS OTHERWISE SPECIFIED,

- ALL RESISTORS ARE 0402, 1%.
- ALL CAPACITORS ARE 0603, X7R.
-

F2=1(LI-ION)	F2=0(LIFEP04)	F1	F0
3.95V	3.45V	0	0
4.00V	3.50V	0	1
4.05V	3.55V	1	0
4.10V	3.60V	1	1

(DEFAULT)

- LIMITED BY Q1 VDS RATING.

CUSTOMER NOTICE		APPROVALS				1630 McCarthy Blvd. Milpitas, CA 95035 Phone: 1-408-432-1900
ANALOG DEVICES INC. HAS MADE A BEST EFFORT TO DESIGN A CIRCUIT THAT MEETS CUSTOMER-SUPPLIED SPECIFICATIONS; HOWEVER, IT REMAINS THE CUSTOMER'S RESPONSIBILITY TO VERIFY PROPER AND RELIABLE OPERATION IN THE ACTUAL APPLICATION. COMPONENT SUBSTITUTION AND PRINTED CIRCUIT BOARD LAYOUT MAY SIGNIFICANTLY AFFECT CIRCUIT PERFORMANCE OR RELIABILITY. CONTACT ANALOG DEVICES INC. APPLICATIONS ENGINEERING FOR ASSISTANCE.		PCB DES.	<i>JP</i>			
		APP ENG.	<i>JP</i>			
		IC NO.	LTC4040EUFD24	TITLE: DEMO CIRCUIT SCHEMATIC, BATTERY CHARGER BACKUP POWER MANAGER		
		SKU NO.	DC2118A	PCA BOM: 700-DC2118A_REV01		SCHMATIC NO. AND REVISION: 710-DC2118A_REV01
		SIZE:	N/A	DATE: Thursday, June 13, 2019		SHEET 1 OF 1

For ADI Customer Use Only
 THIS CIRCUIT IS PROPRIETARY TO ANALOG DEVICES INC. AND SUPPLIED FOR USE WITH ANALOG DEVICES INC. PARTS.