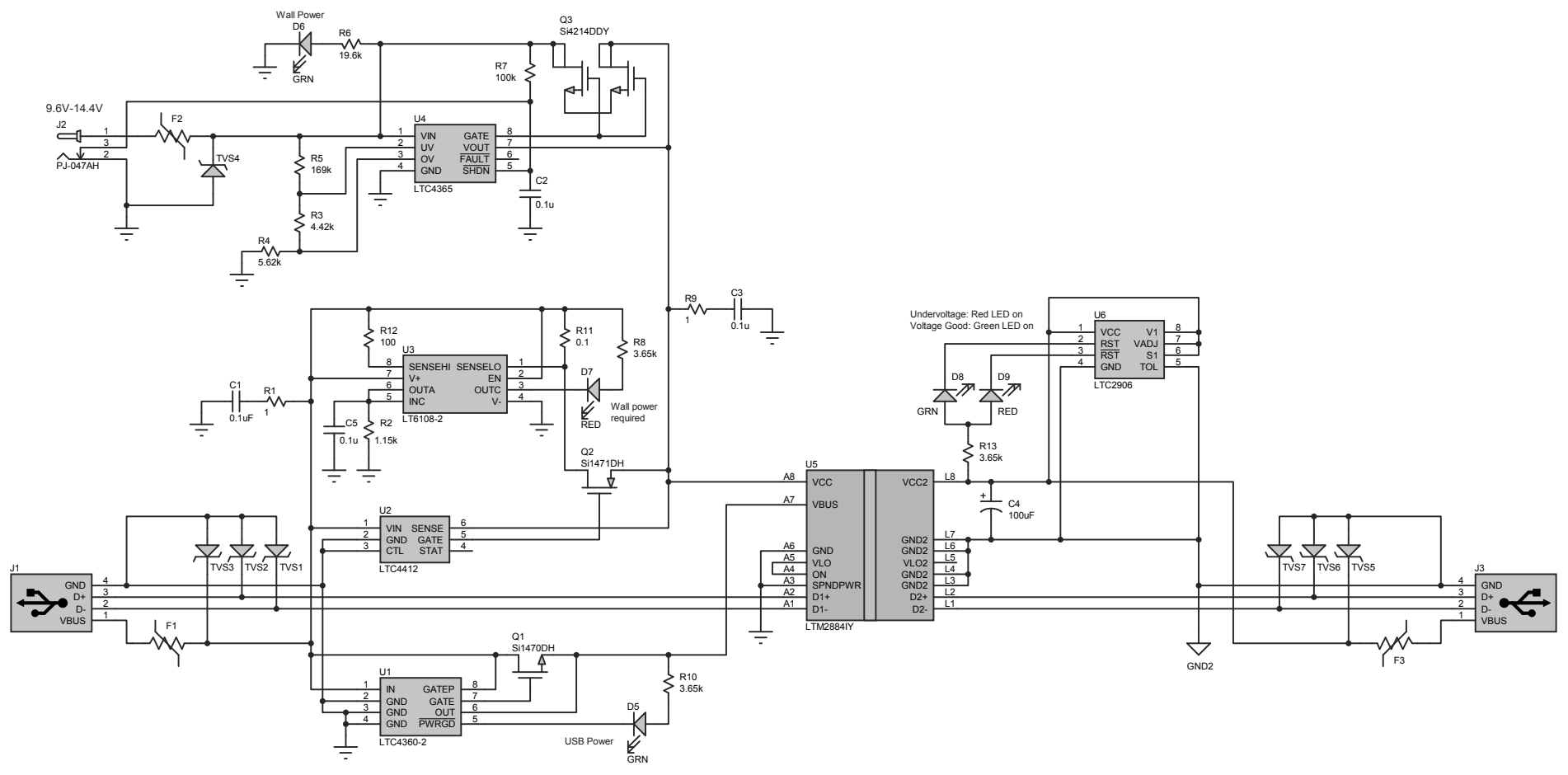


REVISION HISTORY				
ECO	REV	DESCRIPTION	APPROVED	DATE
-	2	2ND PROTOTYPE	KEITH B.	8-14-13



<p><b>CUSTOMER NOTICE</b></p> <p>LINEAR TECHNOLOGY HAS MADE A BEST EFFORT TO DESIGN A CIRCUIT THAT MEETS CUSTOMER-SUPPLIED SPECIFICATIONS; HOWEVER, IT REMAINS THE CUSTOMER'S RESPONSIBILITY TO VERIFY PROPER AND RELIABLE OPERATION IN THE ACTUAL APPLICATION. COMPONENT SUBSTITUTION AND PRINTED CIRCUIT LAYOUT MAY SIGNIFICANTLY AFFECT CIRCUIT PERFORMANCE OR RELIABILITY. CONTACT LINEAR TECHNOLOGY APPLICATIONS ENGINEERING FOR ASSISTANCE.</p> <p>THIS CIRCUIT IS PROPRIETARY TO LINEAR TECHNOLOGY AND SUPPLIED FOR USE WITH LINEAR TECHNOLOGY PARTS.</p>	<p><b>APPROVALS</b></p> <p>PCB DES. KEITH B.</p> <p>APP ENG. KEITH B.</p>		<p>1630 McCarthy Blvd. Milpitas, CA 95035 Phone: (408) 432-1900 Fax: (408) 434-0907 www.linear.com</p> <p><b>LTC CONFIDENTIAL FOR CUSTOMER USE ONLY</b></p>	
	<p>TITLE: SCHEMATIC</p> <p>USB ISOLATOR</p>			
	<p>SIZE: N/A</p>	<p>IC NO.: LTM2884Y</p>		<p>REV: 2</p>
	<p>SCALE = NONE</p>	<p>DATE: Monday, April 21, 2014</p>		<p>SHEET 1 OF 1</p>