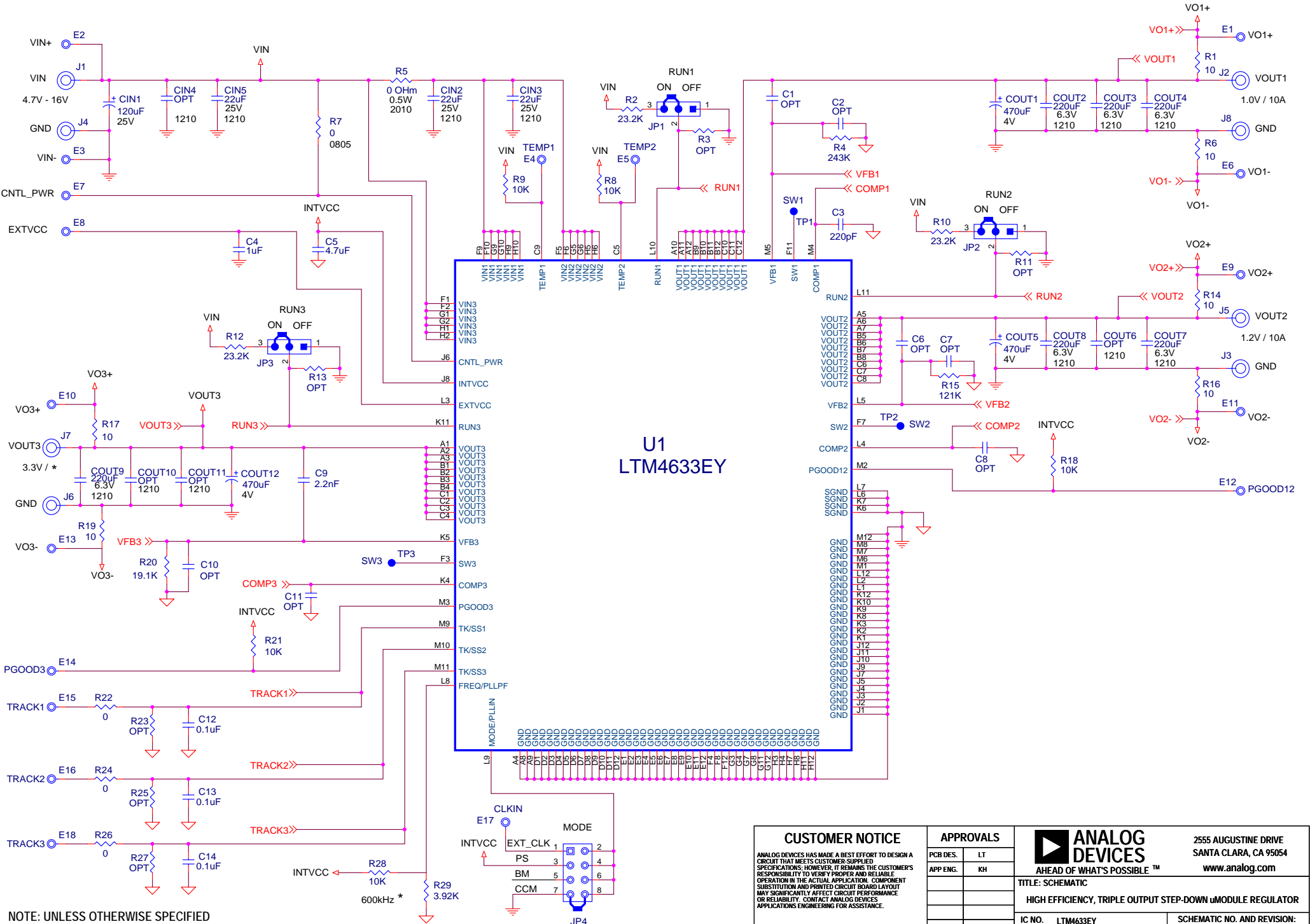


REVISION HISTORY				
ECO	REV	DESCRIPTION	APPROVED	DATE
-	1	PRODUCTION	KH	10-21-19



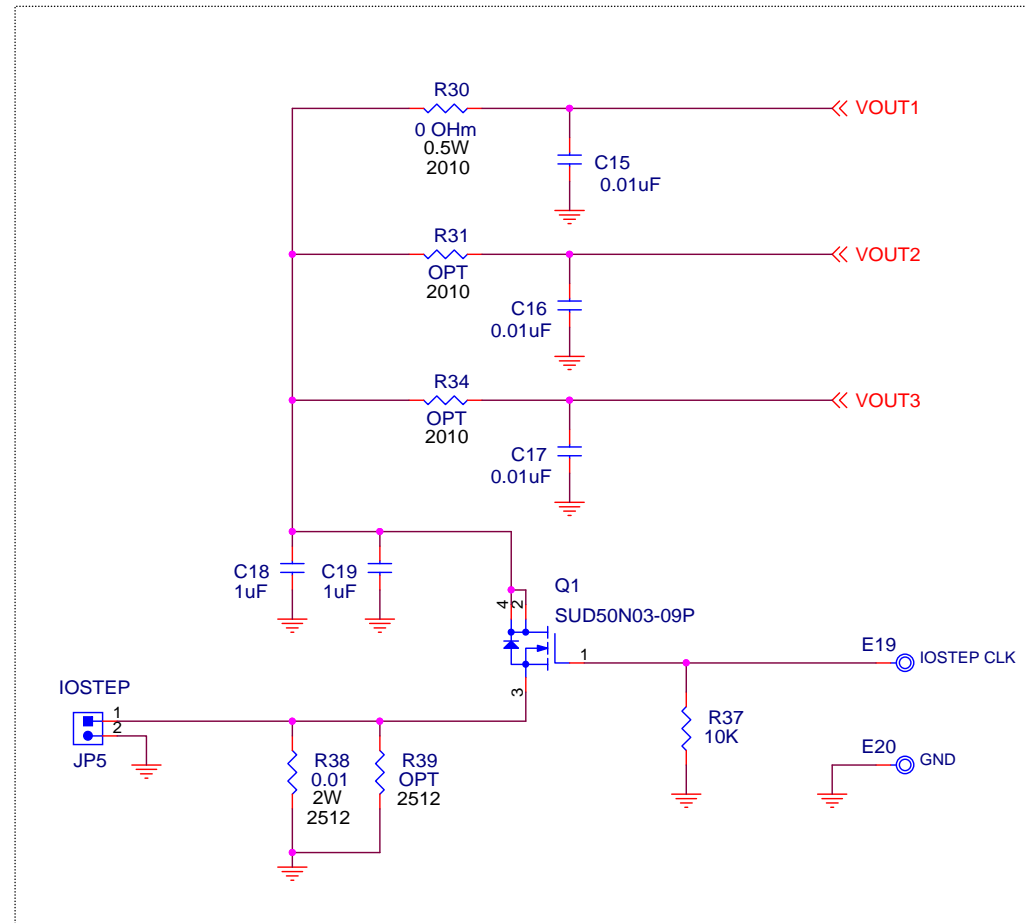
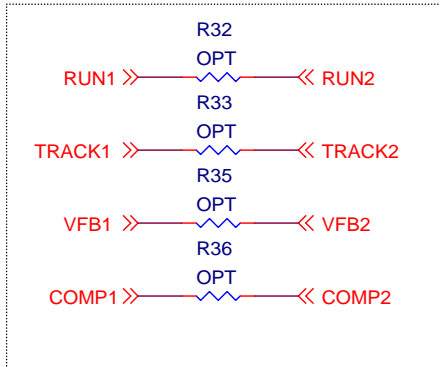
NOTE: UNLESS OTHERWISE SPECIFIED
 1. ALL RESISTORS ARE IN OHMS, 0603.
 ALL NONPOLARIZED CAPACITORS ARE 0603.

* SEE DEMO MANUAL

CUSTOMER NOTICE ANALOG DEVICES HAS MADE A BEST EFFORT TO DESIGN A CIRCUIT THAT MEETS CUSTOMER-SUPPLIED SPECIFICATIONS; HOWEVER, IT REMAINS THE CUSTOMER'S RESPONSIBILITY TO VERIFY PROPER AND RELIABLE OPERATION IN THE ACTUAL APPLICATION. COMPONENT SUBSTITUTION AND PRINTED CIRCUIT BOARD LAYOUT MAY SIGNIFICANTLY AFFECT CIRCUIT PERFORMANCE OR RELIABILITY. CONTACT ANALOG DEVICES APPLICATIONS ENGINEERING FOR ASSISTANCE.		APPROVALS PCB DES. LT APP ENG. KH		 2555 AUGUSTINE DRIVE SANTA CLARA, CA 95054 www.analog.com
THIS CIRCUIT IS PROPRIETARY TO ANALOG DEVICES AND SUPPLIED FOR USE WITH ANALOG DEVICES PARTS.		TITLE: SCHEMATIC HIGH EFFICIENCY, TRIPLE OUTPUT STEP-DOWN μ MODULE REGULATOR IC NO. LTM4633EY SKU NO. DC1905B SIZE: N/A DATE: Monday, October 21, 2019 SHEET 1 OF 2		

LOAD TRANSIENT CIRCUIT

OPTIONAL JUMPER FOR 2+1 OUTPUT CONFIGURATION



CUSTOMER NOTICE

ANALOG DEVICES HAS MADE A BEST EFFORT TO DESIGN A CIRCUIT THAT MEETS CUSTOMER-SUPPLIED SPECIFICATIONS; HOWEVER, IT REMAINS THE CUSTOMER'S RESPONSIBILITY TO VERIFY PROPER AND RELIABLE OPERATION IN THE ACTUAL APPLICATION. COMPONENT SUBSTITUTION AND PRINTED CIRCUIT BOARD LAYOUT MAY SIGNIFICANTLY AFFECT CIRCUIT PERFORMANCE OR RELIABILITY. CONTACT ANALOG DEVICES APPLICATIONS ENGINEERING FOR ASSISTANCE.

THIS CIRCUIT IS PROPRIETARY TO ANALOG DEVICES AND SUPPLIED FOR USE WITH ANALOG DEVICES PARTS.

APPROVALS

PCB DES.	LT
APP ENG.	KH



2555 AUGUSTINE DRIVE
SANTA CLARA, CA 95054
www.analog.com

TITLE: SCHEMATIC

HIGH EFFICIENCY, TRIPLE OUTPUT STEP-DOWN uMODULE REGULATOR

IC NO. LTM4633EY
SKU NO. DC1905B

SCHEMATIC NO. AND REVISION:
710-DC1905B_REV01

SIZE: N/A

DATE: Monday, October 21, 2019

SHEET 2 OF 2