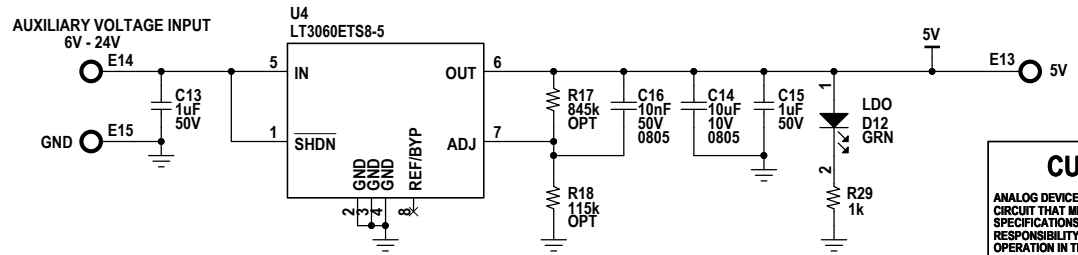
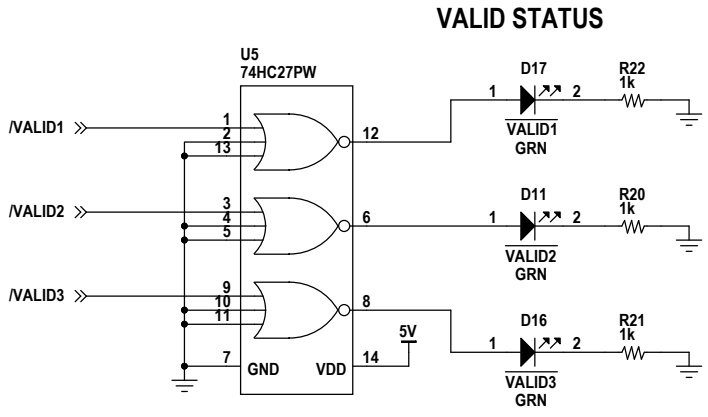
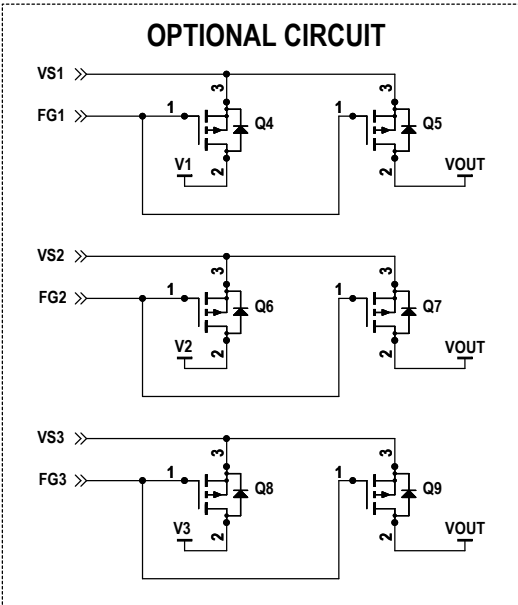
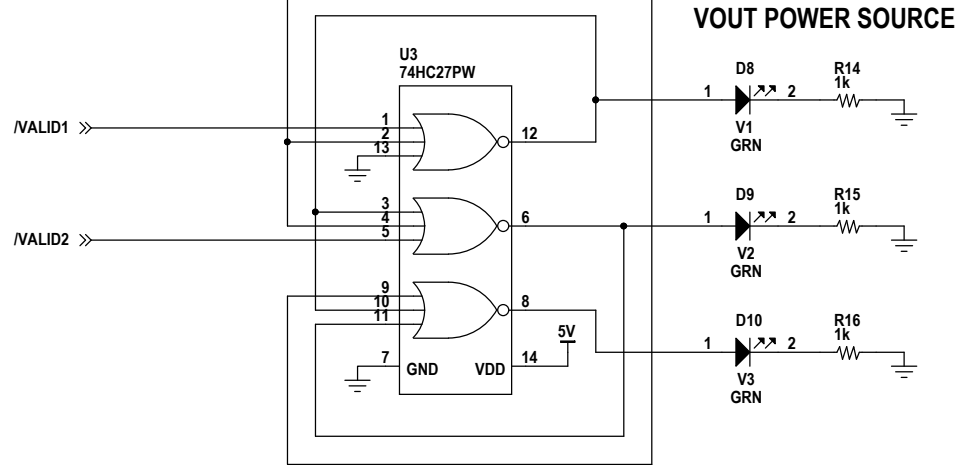
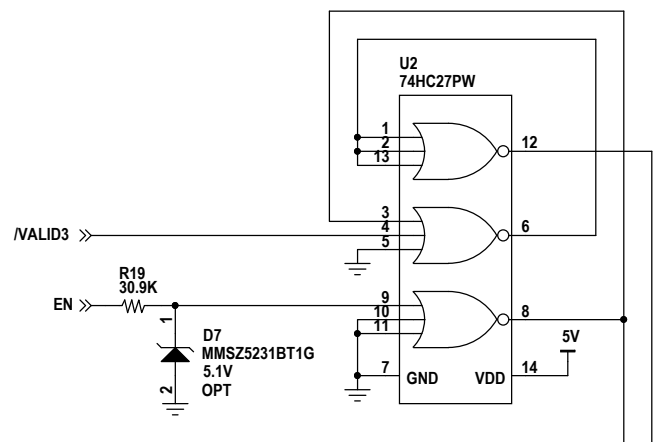


- NOTES: UNLESS OTHERWISE SPECIFIED**
1. ALL RESISTORS ARE IN OHMS, 0603.
ALL CAPACITORS ARE IN MICROFARADS, 0603.
 2. INSTALL SHUNTS ON JUMPERS AS SHOWN.

<p>CUSTOMER NOTICE</p> <p>ANALOG DEVICES HAS MADE A BEST EFFORT TO DESIGN A CIRCUIT THAT MEETS CUSTOMER-SUPPLIED SPECIFICATIONS; HOWEVER, IT REMAINS THE CUSTOMER'S RESPONSIBILITY TO VERIFY PROPER AND RELIABLE OPERATION IN THE ACTUAL APPLICATION. COMPONENT SUBSTITUTION AND PRINTED CIRCUIT BOARD LAYOUT MAY SIGNIFICANTLY AFFECT CIRCUIT PERFORMANCE OR RELIABILITY. CONTACT ANALOG DEVICES APPLICATIONS ENGINEERING FOR ASSISTANCE.</p>		<p>APPROVALS</p>			
		<p>PCB DES. J W</p> <p>APP ENG. K T</p>	<p>TITLE: SCHEMATIC</p> <p>PRIORITIZED POWERPATH CONTROLLER</p>		
<p>THIS CIRCUIT IS PROPRIETARY TO ANALOG DEVICES AND SUPPLIED FOR USE WITH ANALOG DEVICES PARTS.</p>		<p>IC NO. LTC4417</p> <p>SKU NO. DC1717B-1</p>	<p>SCHEMATIC NO. AND REVISION:</p> <p>DC1717B REV 1</p>	<p>SIZE: N/A</p> <p>DATE: Monday, August 07, 2023</p>	<p>SHEET 1 OF 2</p>



CUSTOMER NOTICE ANALOG DEVICES HAS MADE A BEST EFFORT TO DESIGN A CIRCUIT THAT MEETS CUSTOMER-SUPPLIED SPECIFICATIONS; HOWEVER, IT REMAINS THE CUSTOMER'S RESPONSIBILITY TO VERIFY PROPER AND RELIABLE OPERATION IN THE ACTUAL APPLICATION. COMPONENT SUBSTITUTION AND PRINTED CIRCUIT BOARD LAYOUT MAY SIGNIFICANTLY AFFECT CIRCUIT PERFORMANCE OR RELIABILITY. CONTACT ANALOG DEVICES APPLICATIONS ENGINEERING FOR ASSISTANCE.	APPROVALS		
	PCB DES.	JW	
APP ENG.	KT	IC NO. LTC4417 SKU NO. DC1717B-1	
THIS CIRCUIT IS PROPRIETARY TO ANALOG DEVICES AND SUPPLIED FOR USE WITH ANALOG DEVICES PARTS.			SCHEMATIC NO. AND REVISION: DC1717B REV 1
SIZE:	N/A	DATE:	Monday, August 07, 2023
			SHEET 2 OF 2