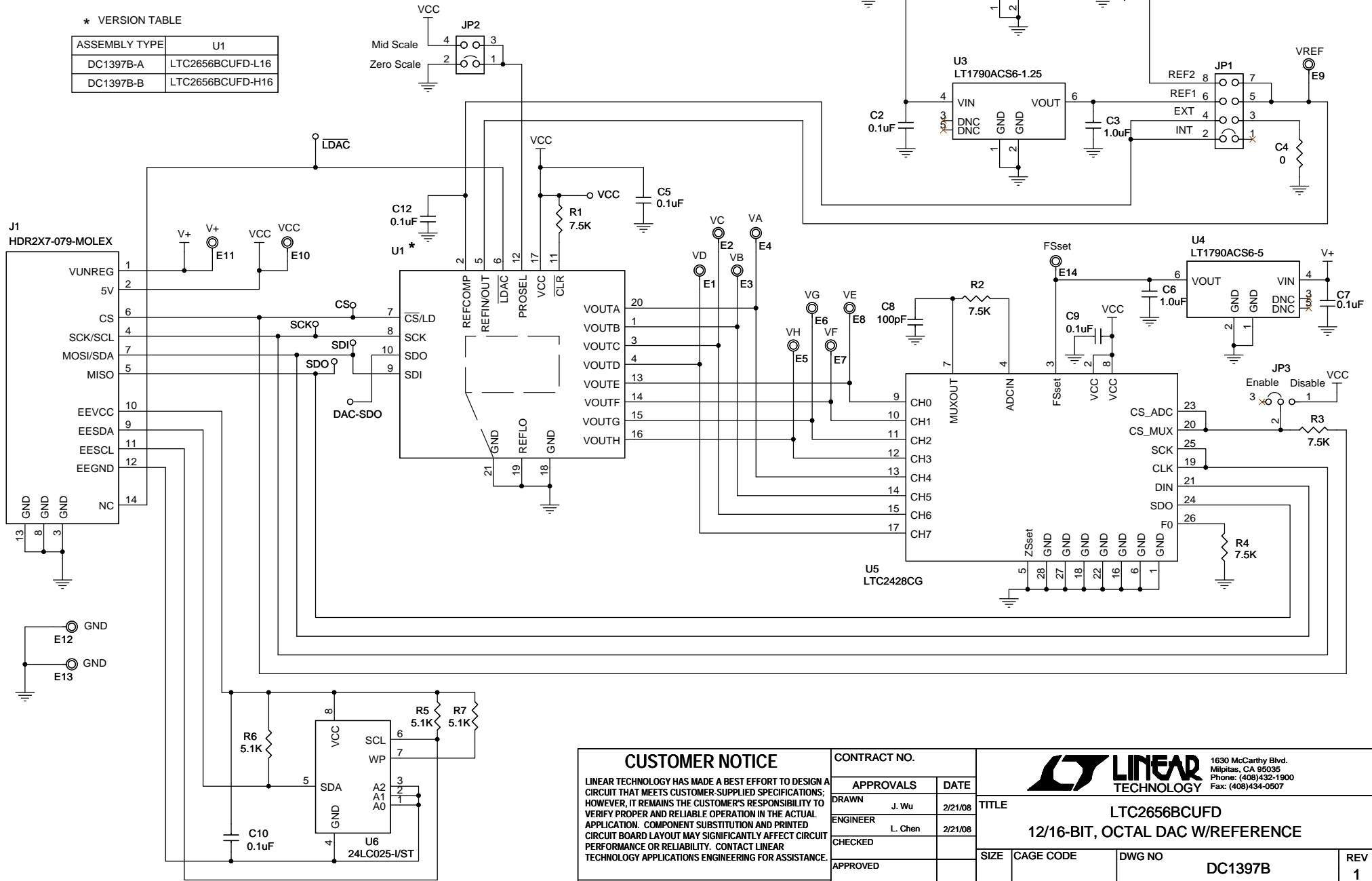


* VERSION TABLE


ASSEMBLY TYPE	U1
DC1397B-A	LTC2656BCUFD-L16
DC1397B-B	LTC2656BCUFD-H16



CUSTOMER NOTICE

LINEAR TECHNOLOGY HAS MADE A BEST EFFORT TO DESIGN A CIRCUIT THAT MEETS CUSTOMER-SUPPLIED SPECIFICATIONS; HOWEVER, IT REMAINS THE CUSTOMER'S RESPONSIBILITY TO VERIFY PROPER AND RELIABLE OPERATION IN THE ACTUAL APPLICATION. COMPONENT SUBSTITUTION AND PRINTED CIRCUIT BOARD LAYOUT MAY SIGNIFICANTLY AFFECT CIRCUIT PERFORMANCE OR RELIABILITY. CONTACT LINEAR TECHNOLOGY APPLICATIONS ENGINEERING FOR ASSISTANCE.

THIS CIRCUIT IS PROPRIETARY TO LINEAR TECHNOLOGY AND SUPPLIED FOR USE WITH LINEAR TECHNOLOGY PARTS.

CONTRACT NO.		 1630 McCarthy Blvd. Milpitas, CA 95035 Phone: (408)432-1900 Fax: (408)434-0507			
APPROVALS	DATE				
DRAWN J. Wu	2/21/08	TITLE LTC2656BCUFD 12/16-BIT, OCTAL DAC W/REFERENCE			
ENGINEER L. Chen	2/21/08	SIZE	CAGE CODE	DWG NO	REV 1
CHECKED		SCALE:		FILENAME:	SHEET 1 OF 1
APPROVED					