

# EV-ADUCM410QSP1ZU2

THIS DRAWING IS THE PROPERTY OF ANALOG DEVICES INC. IT IS NOT TO BE REPRODUCED OR COPIED, IN WHOLE OR IN PART, OR USED IN FURNISHING INFORMATION TO OTHERS, OR FOR ANY OTHER PURPOSE DETRIMENTAL TO THE INTERESTS OF ANALOG DEVICES. THE EQUIPMENT SHOWN HEREON MAY BE PROTECTED BY PATENTS OWNED OR CONTROLLED BY ANALOG DEVICES.

## RELAY CONTROL CHART

CONTROL	CODE	DEVICE	FUNCTION	CONNECTOR

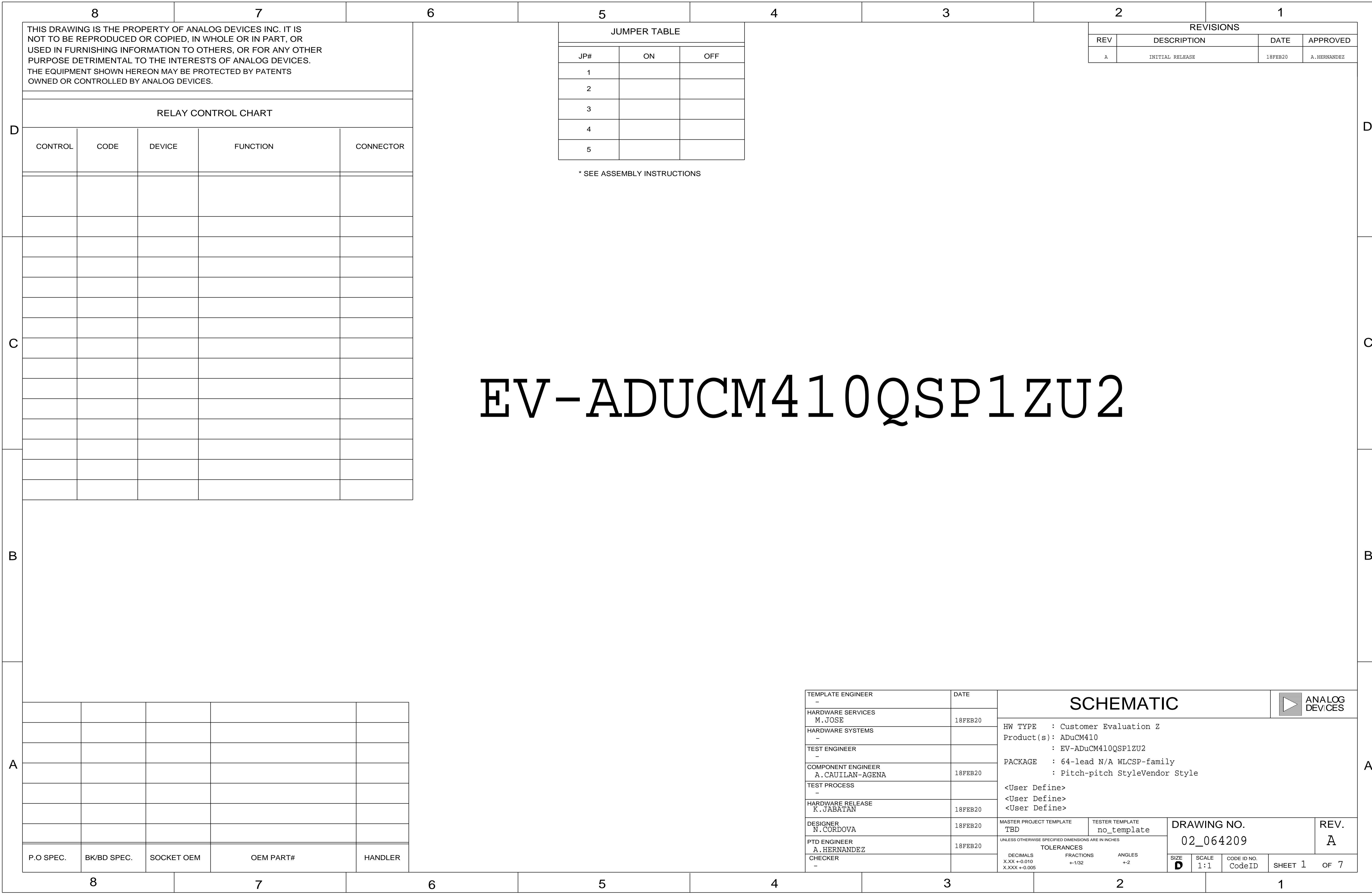
JUMPER TABLE		
JP#	ON	OFF
1		
2		
3		
4		
5		

\* SEE ASSEMBLY INSTRUCTIONS

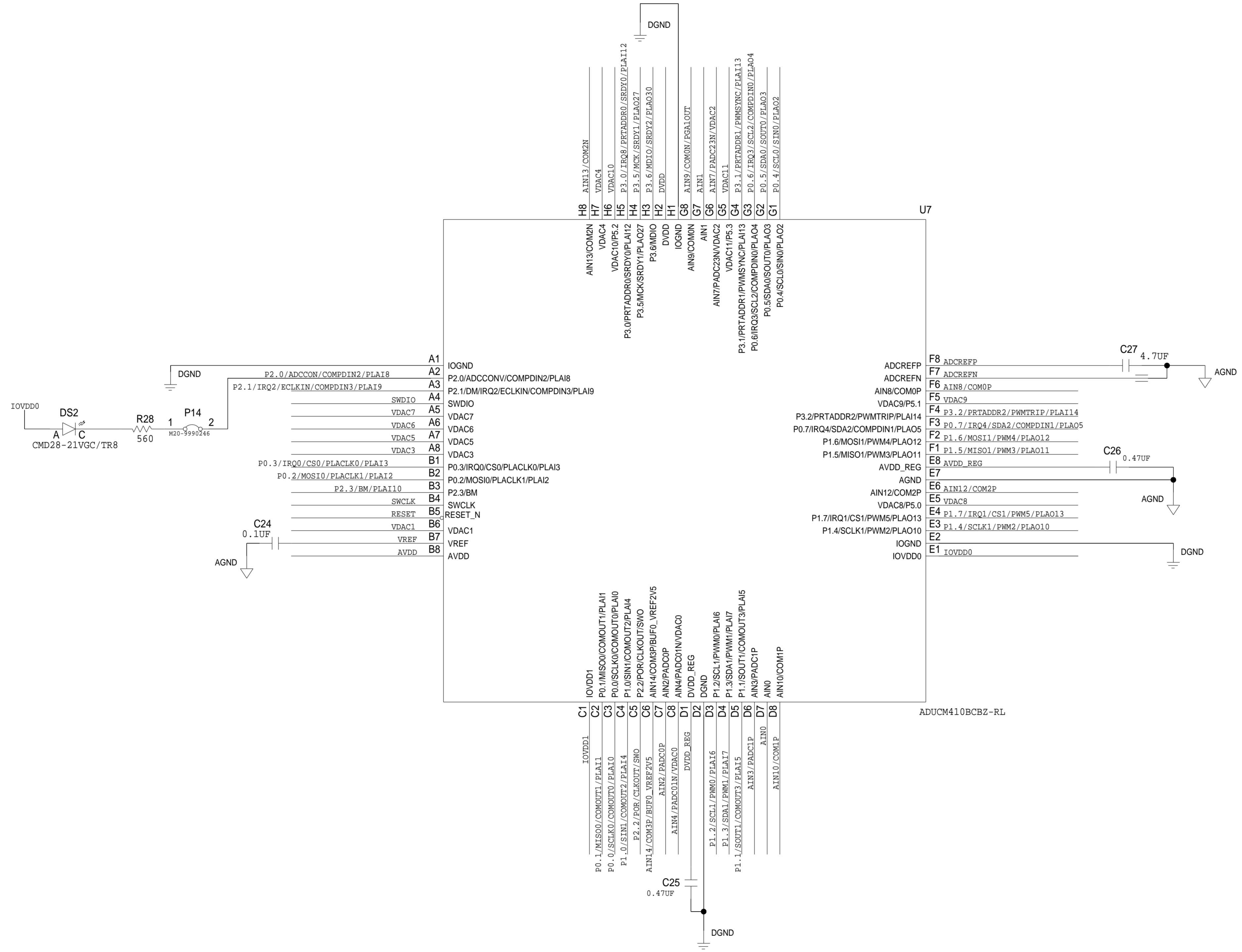
REVISIONS			
REV	DESCRIPTION	DATE	APPROVED
A	INITIAL RELEASE	18FEB20	A.HERNANDEZ

P.O SPEC.	BK/BD SPEC.	SOCKET OEM	OEM PART#	HANDLER

TEMPLATE ENGINEER -	DATE 18FEB20	<b>SCHEMATIC</b>	
HARDWARE SERVICES M. JOSE	18FEB20		
HARDWARE SYSTEMS -		HW TYPE : Customer Evaluation Z	
TEST ENGINEER -		Product(s): ADuCM410	
COMPONENT ENGINEER A. CAUILAN-AGENA	18FEB20	: EV-ADuCM410QSP1ZU2	
TEST PROCESS -		PACKAGE : 64-lead N/A WLCSP-family	
HARDWARE RELEASE K. JABATAN	18FEB20	: Pitch-pitch StyleVendor Style	
DESIGNER N. CORDOVA	18FEB20	<User Define>	
PTD ENGINEER A. HERNANDEZ	18FEB20	<User Define>	
CHECKER -		<User Define>	
MASTER PROJECT TEMPLATE TBD	TESTER TEMPLATE no_template	DRAWING NO.	REV.
UNLESS OTHERWISE SPECIFIED DIMENSIONS ARE IN INCHES		02_064209	A
TOLERANCES		SIZE	SCALE
DECIMALS X.XX +0.010 X.XXX +0.005	FRACTIONS +1/32	D	1:1
ANGLES +2		CODE ID NO. CodeID	SHEET 1 OF 7



REVISIONS			
REV	DESCRIPTION	DATE	APPROVED



SCHEMATIC			
		HW TYPE : Customer Evaluation Z Product(s) : ADUCM410 : EV-ADUCM410QSP1ZU2	
DESIGN VIEW <DESIGN_VIEW>	DRAWING NO. 02_064209	REV A	
PTD ENGINEER A. HERNANDEZ	SIZE D	SCALE 1:1	SHEET 2 OF 7

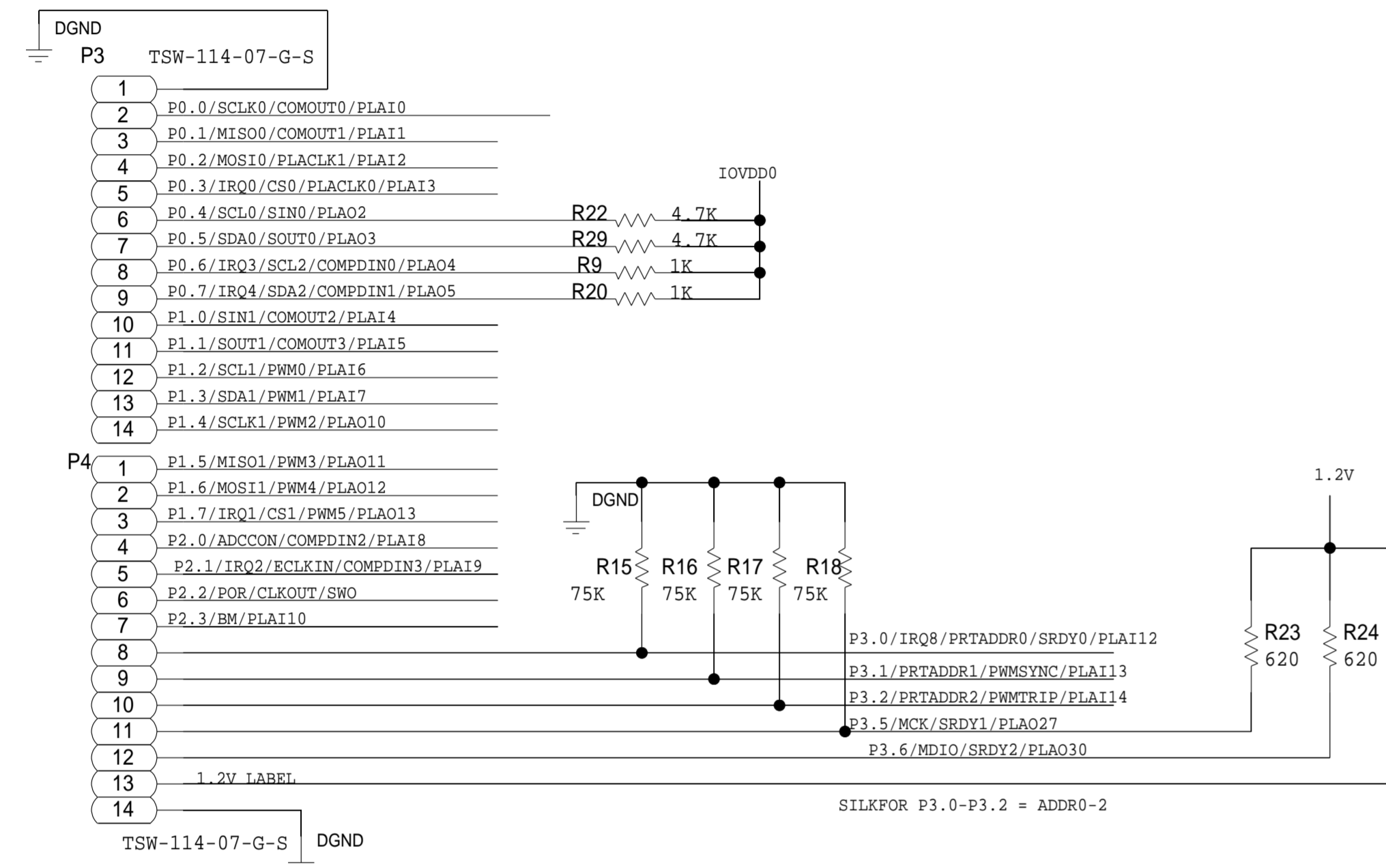
THIS DRAWING IS THE PROPERTY OF ANALOG DEVICES INC. IT IS NOT TO BE REPRODUCED OR COPIED, IN WHOLE OR IN PART, OR USED IN ANY MANNER WITHOUT THE WRITTEN PERMISSION OF ANALOG DEVICES. THE EQUIPMENT SHOWN HEREON MAY BE PROTECTED BY PATENTS OWNED OR CONTROLLED BY ANALOG DEVICES.

REVISIONS			
REV	DESCRIPTION	DATE	APPROVED

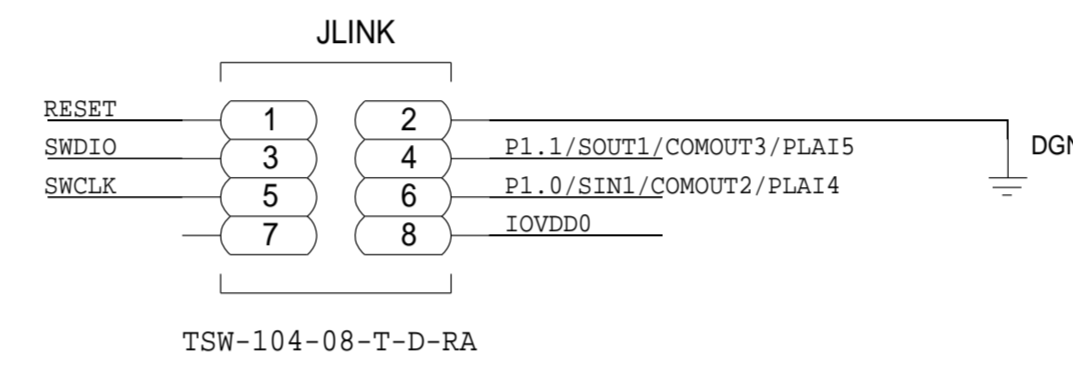
# DIGITAL I/O

## DIGITAL PINS

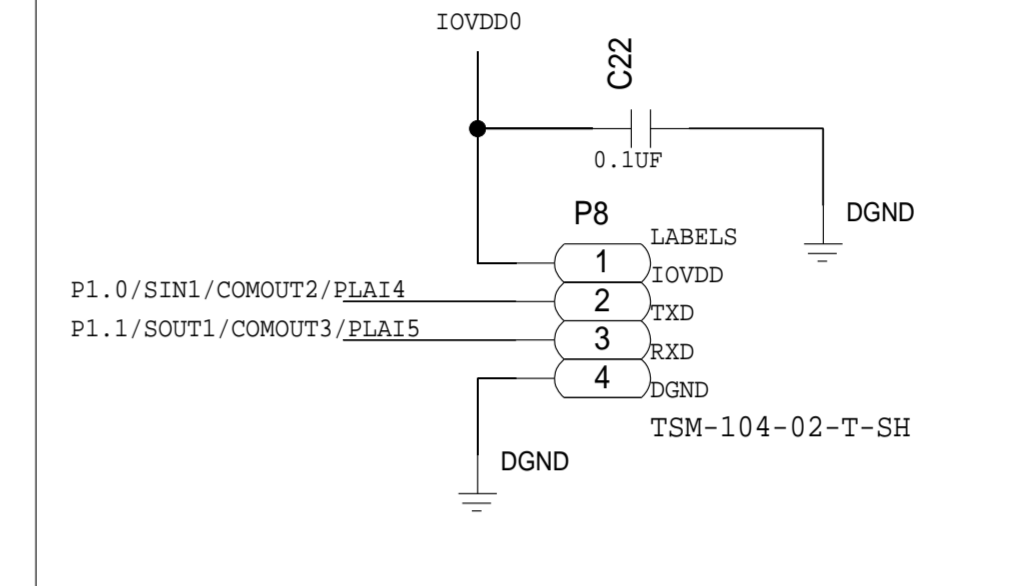
SILK LABEL SHOULD BE PX.X ONLY



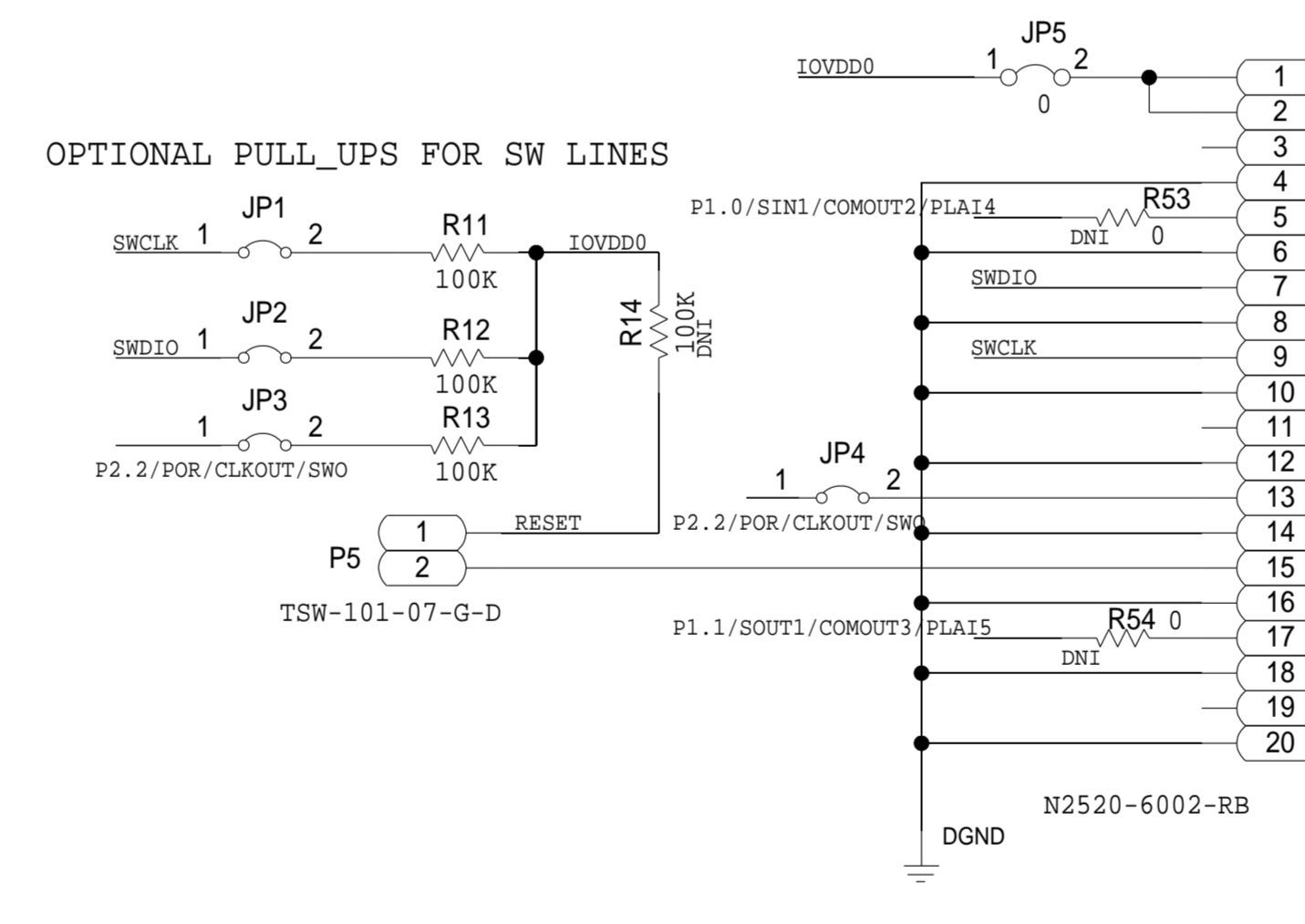
## INTERFACE BOARD CONNECTOR FOR SERIAL WIRE PROGRAMMING/DEBUG



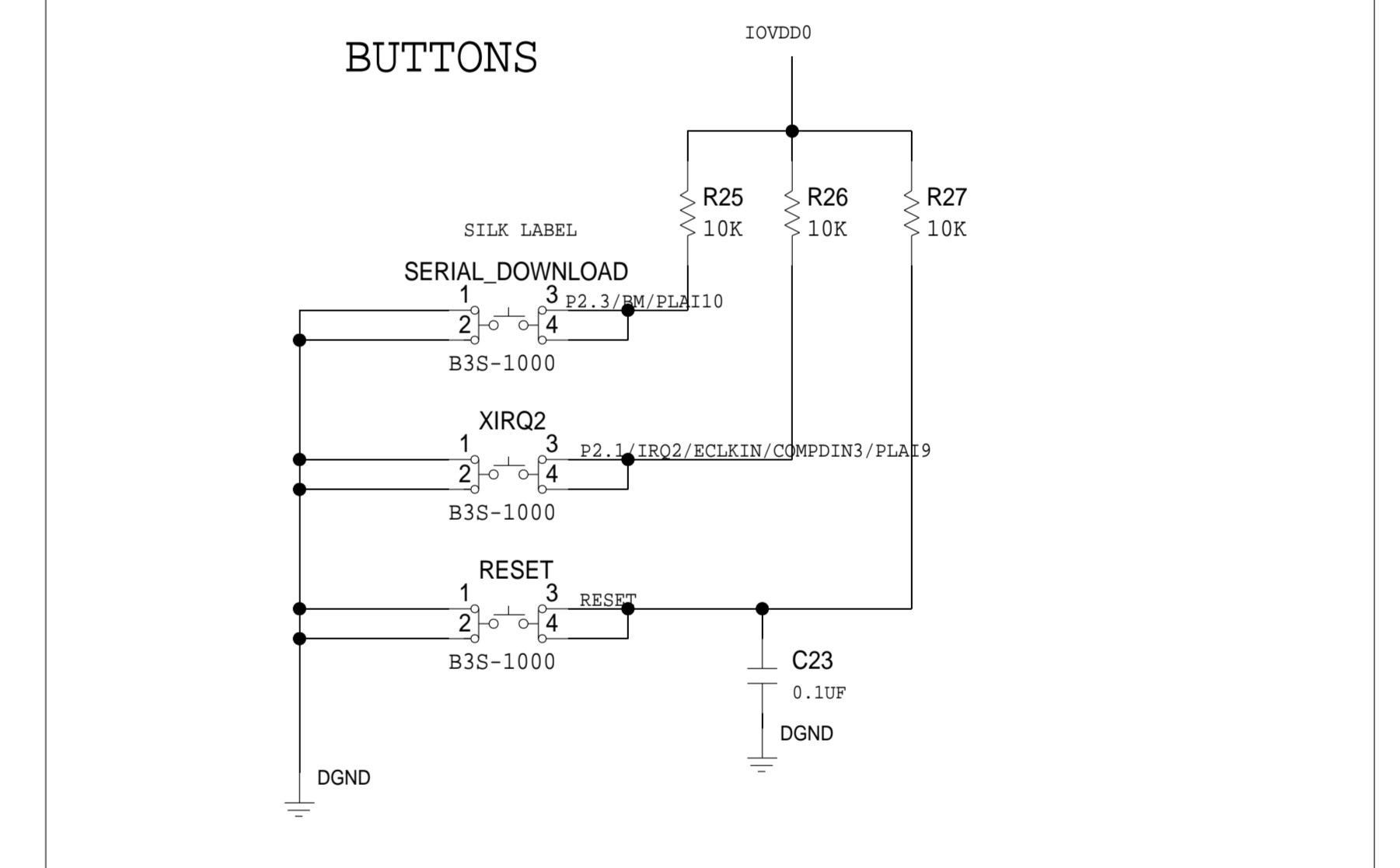
## HEADER UART



## MIDAS LINK CONNECTOR



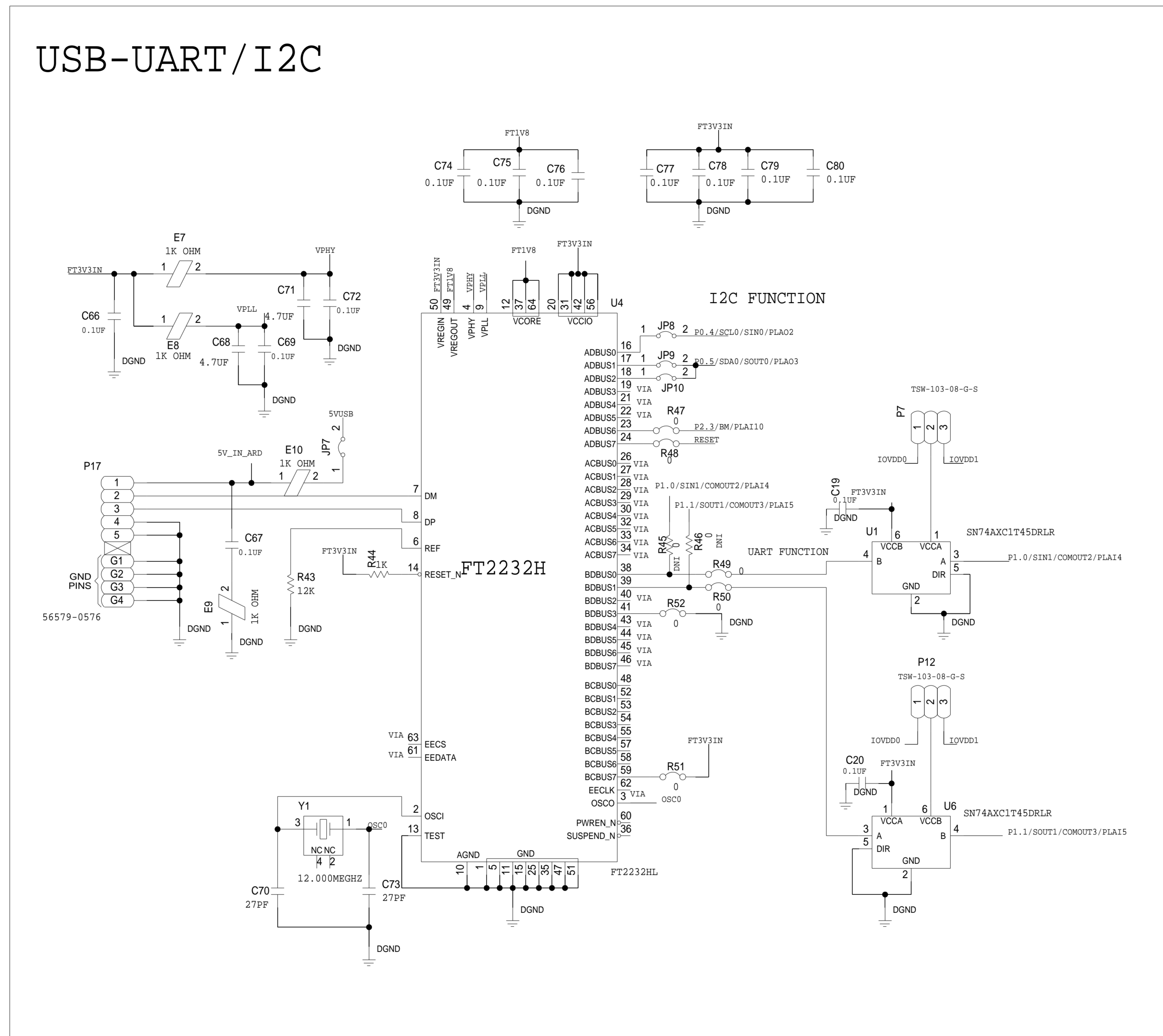
## BUTTONS



	<b>SCHEMATIC</b>		
	HW TYPE : Customer Evaluation Z Product(s) : ADuCM410 : EV-ADuCM410QSP1ZU2		
	DESIGN VIEW <DESIGN_VIEW>	DRAWING NO. 02_064209	REV A
	PTD ENGINEER A. HERNANDEZ	SIZE D	SCALE 1:1
		SHEET 3 OF 7	

REVISIONS			
REV	DESCRIPTION	DATE	APPROVED

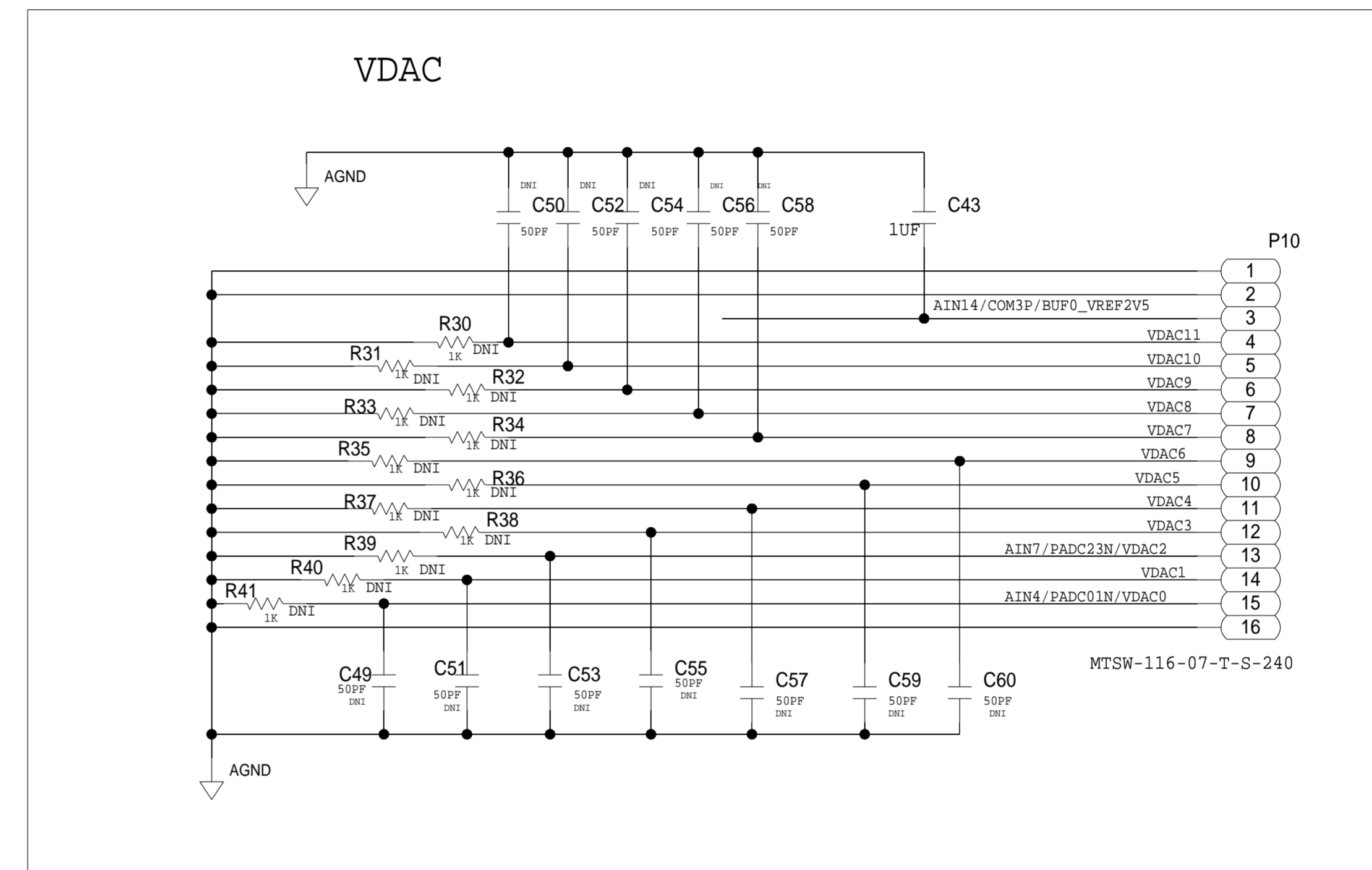
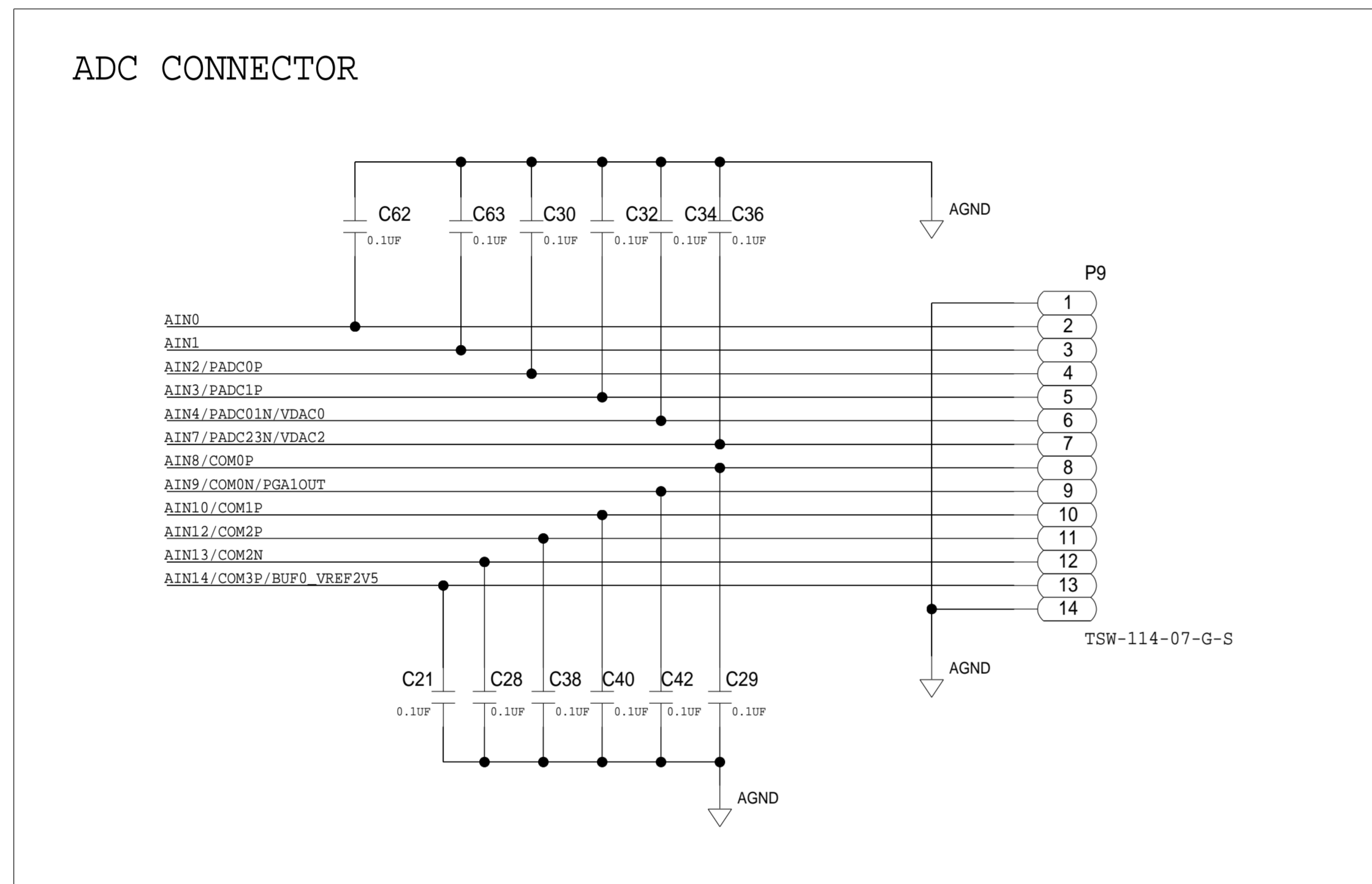
# USB-UART/I2C



ANALOG DEVICES			
<b>SCHMATIC</b>			
HW TYPE : Customer Evaluation Z Product(s) : ADuCM410 : EV-ADuCM410QSP1ZU2			
DESIGN VIEW <DESIGN_VIEW>	DRAWING NO. 02_064209	REV A	
PTD ENGINEER A. HERNANDEZ	SIZE D	SCALE 1:1	SHEET 4 OF 7

REVISIONS			
REV	DESCRIPTION	DATE	APPROVED

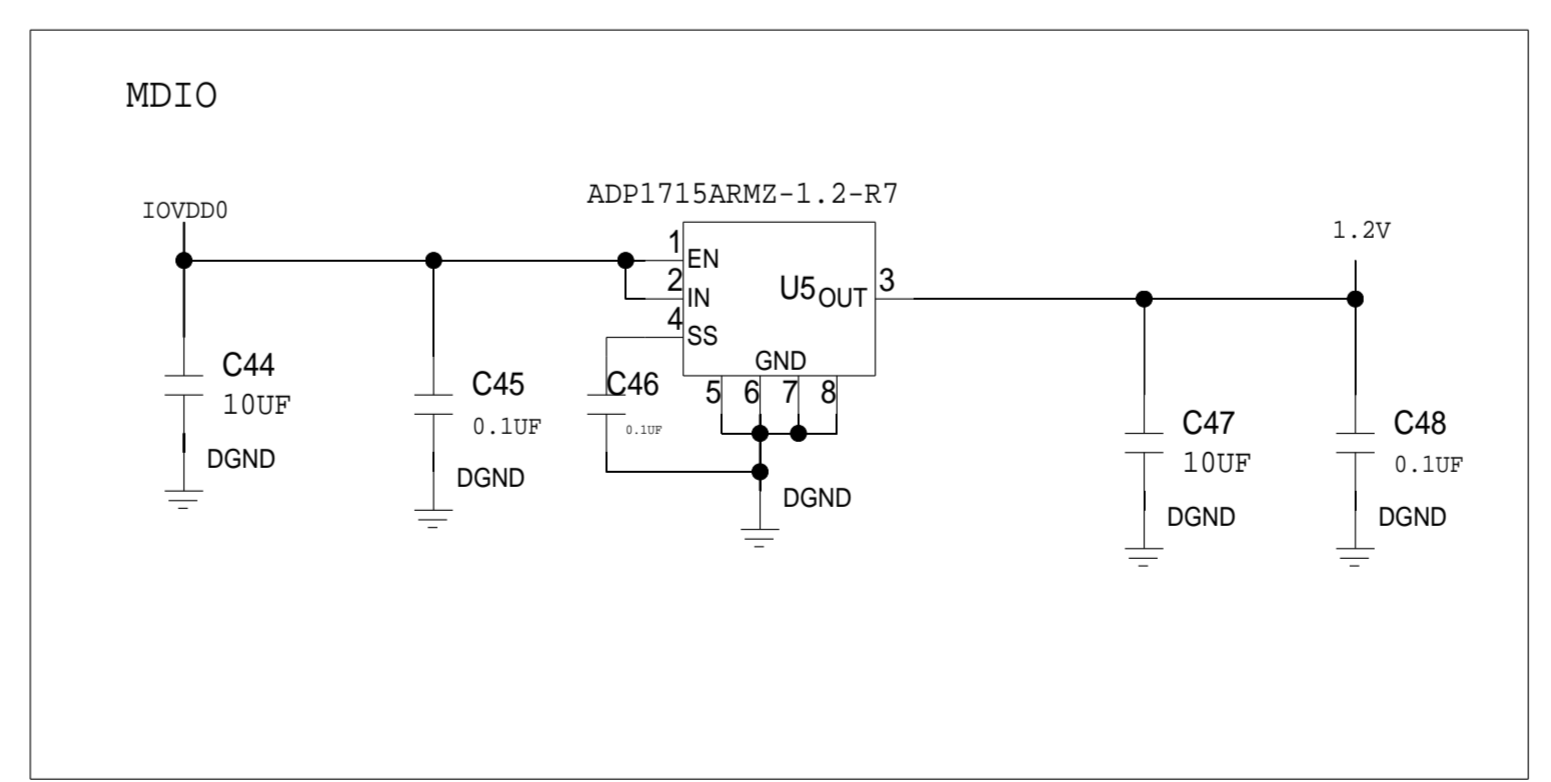
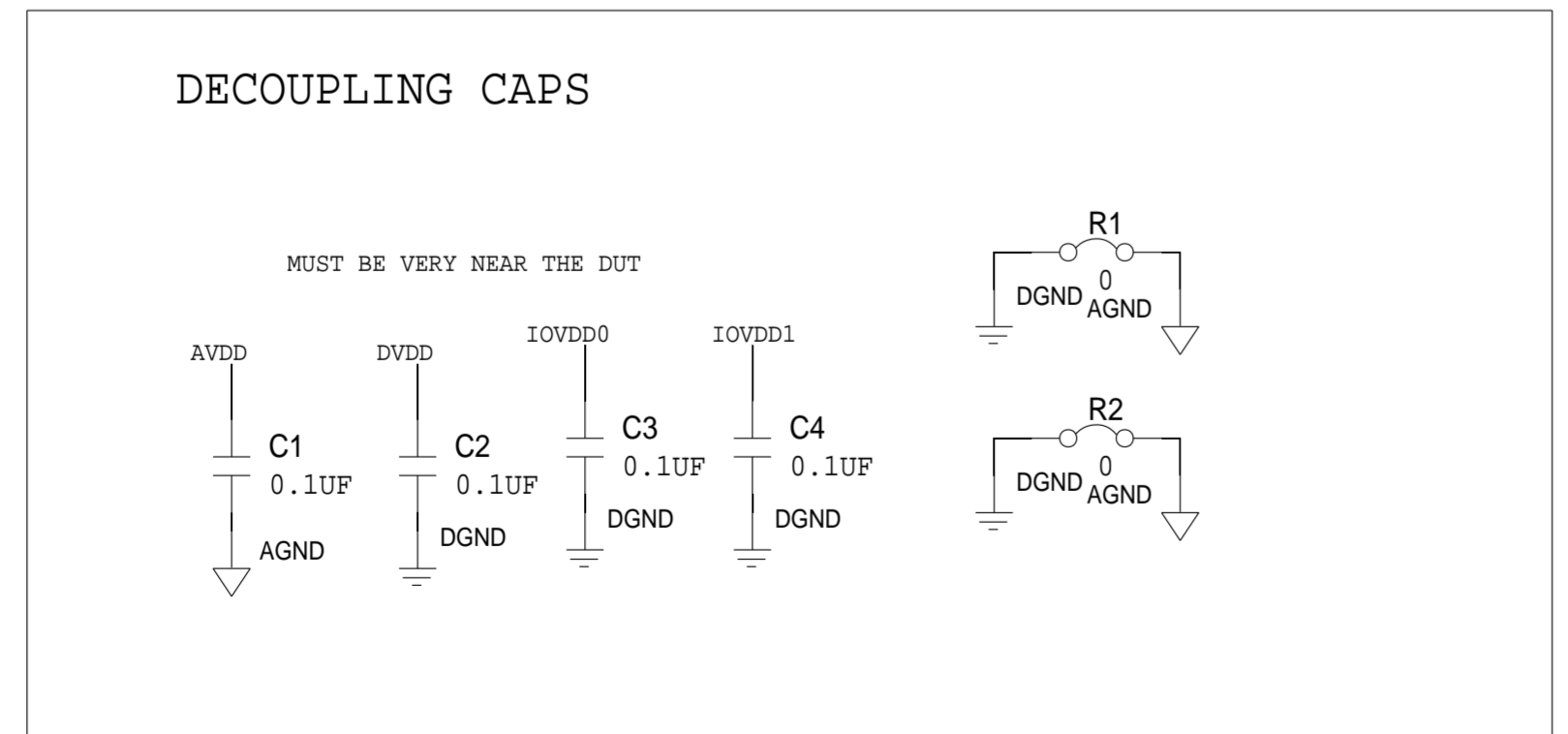
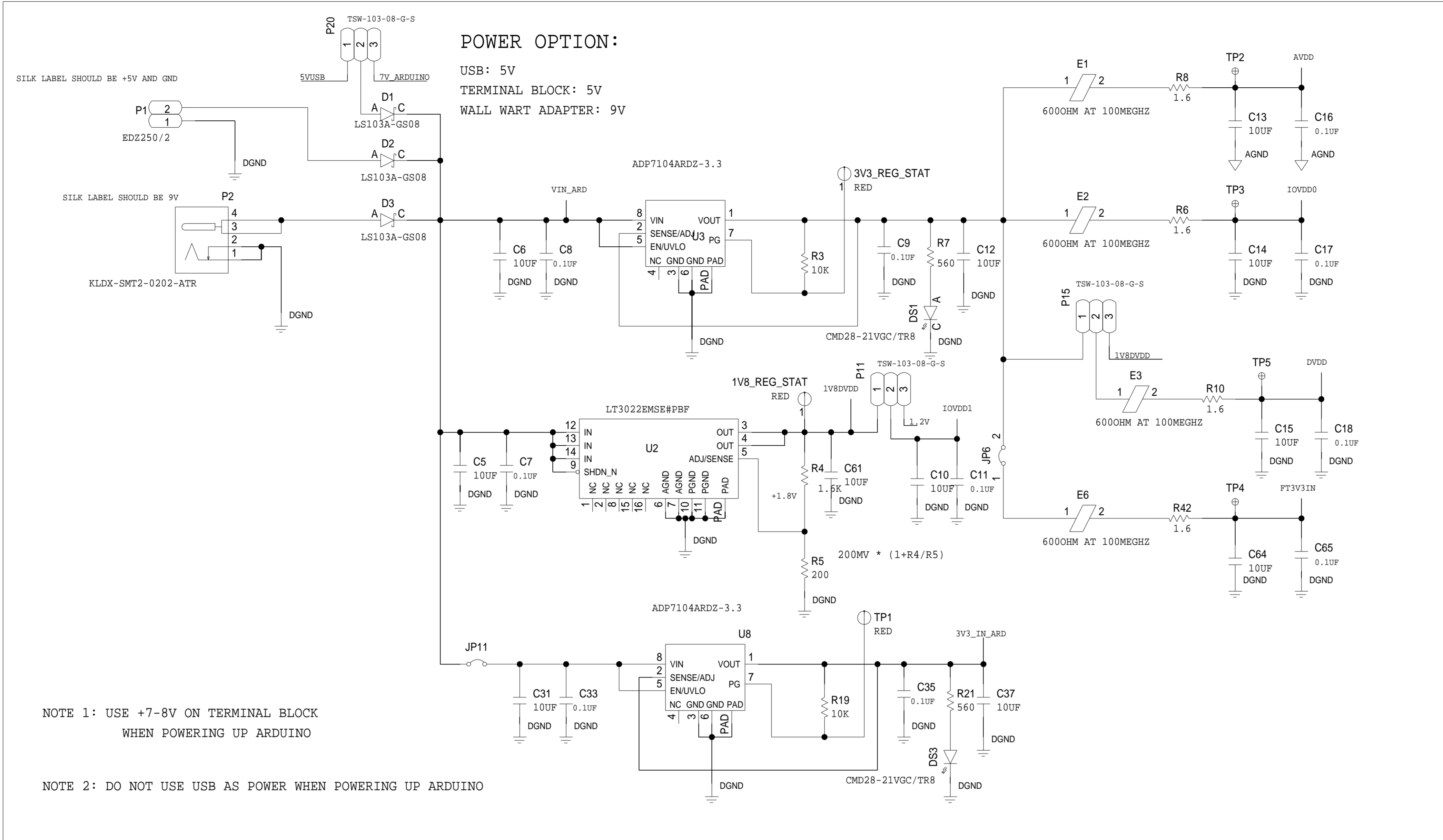
# ADC / VDAC



	<b>SCHEMATIC</b>		
	HW TYPE : Customer Evaluation Z Product(s) : ADuCM410 : EV-ADuCM410QSP1ZU2		
	DESIGN VIEW <DESIGN_VIEW>	DRAWING NO. 02_064209	REV A
	PTD ENGINEER A. HERNANDEZ	SIZE D	SCALE 1:1
SHEET 5 OF 7			

REVISIONS			
REV	DESCRIPTION	DATE	APPROVED

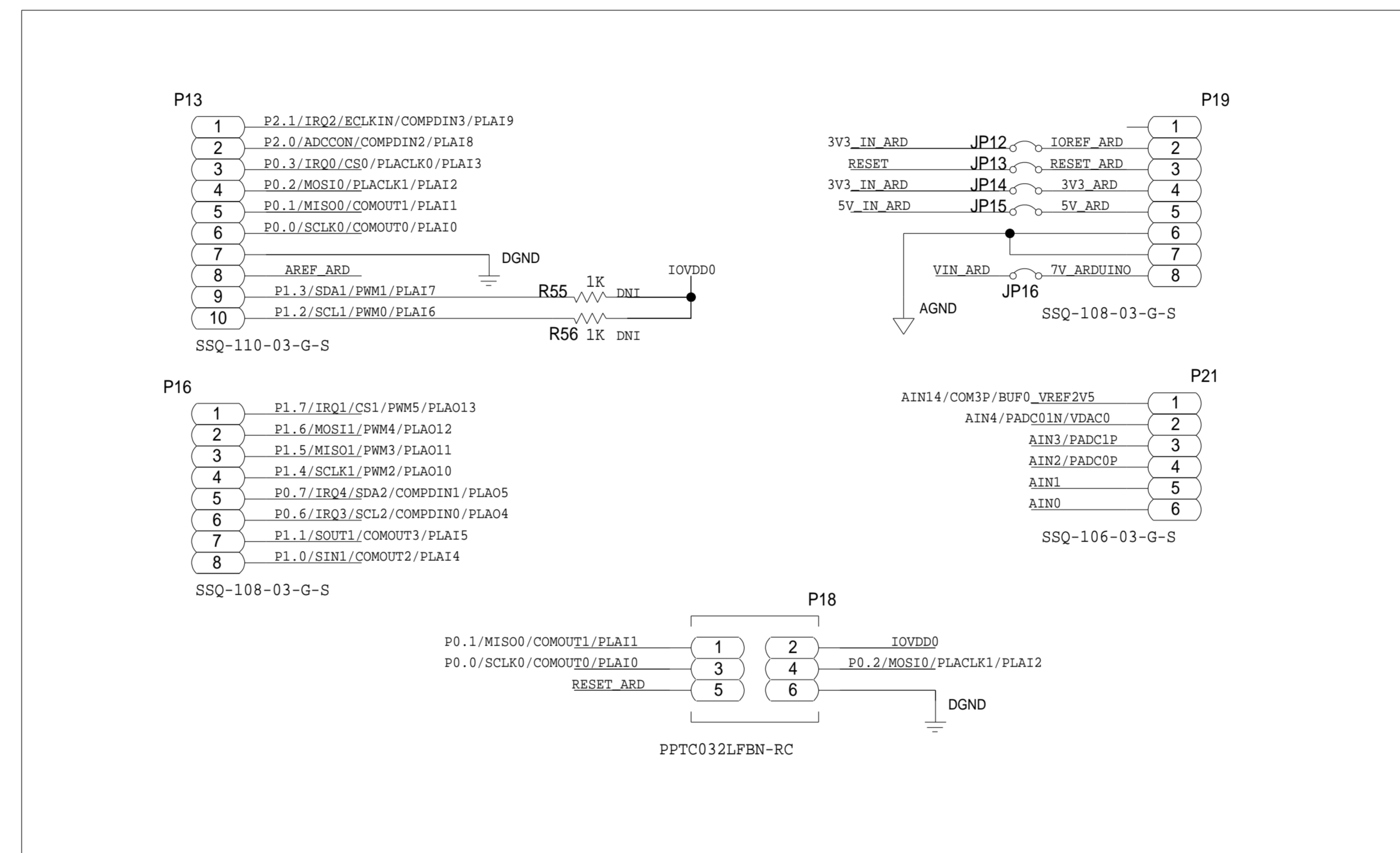
# POWER



	<b>SCHEMATIC</b>		
	HW TYPE : Customer Evaluation Z Product(s) : ADuCM410 : EV-ADuCM410QSP1ZU2		
	DESIGN VIEW <DESIGN_VIEW>	DRAWING NO. 02_064209	REV A
	PTD ENGINEER A. HERNANDEZ	SIZE D	SCALE 1:1
SHEET 6 OF 7			

REVISIONS			
REV	DESCRIPTION	DATE	APPROVED

# ARDUINO HEADERS



	<b>SCHEMATIC</b>		
	HW TYPE : Customer Evaluation Z Product(s) : ADuCM410 : EV-ADuCM410QSP1ZU2		
	DESIGN VIEW <DESIGN_VIEW>	DRAWING NO. 02_064209	REV A
	PTD ENGINEER A. HERNANDEZ	SIZE D	SCALE 1:1
SHEET 7 OF 7			