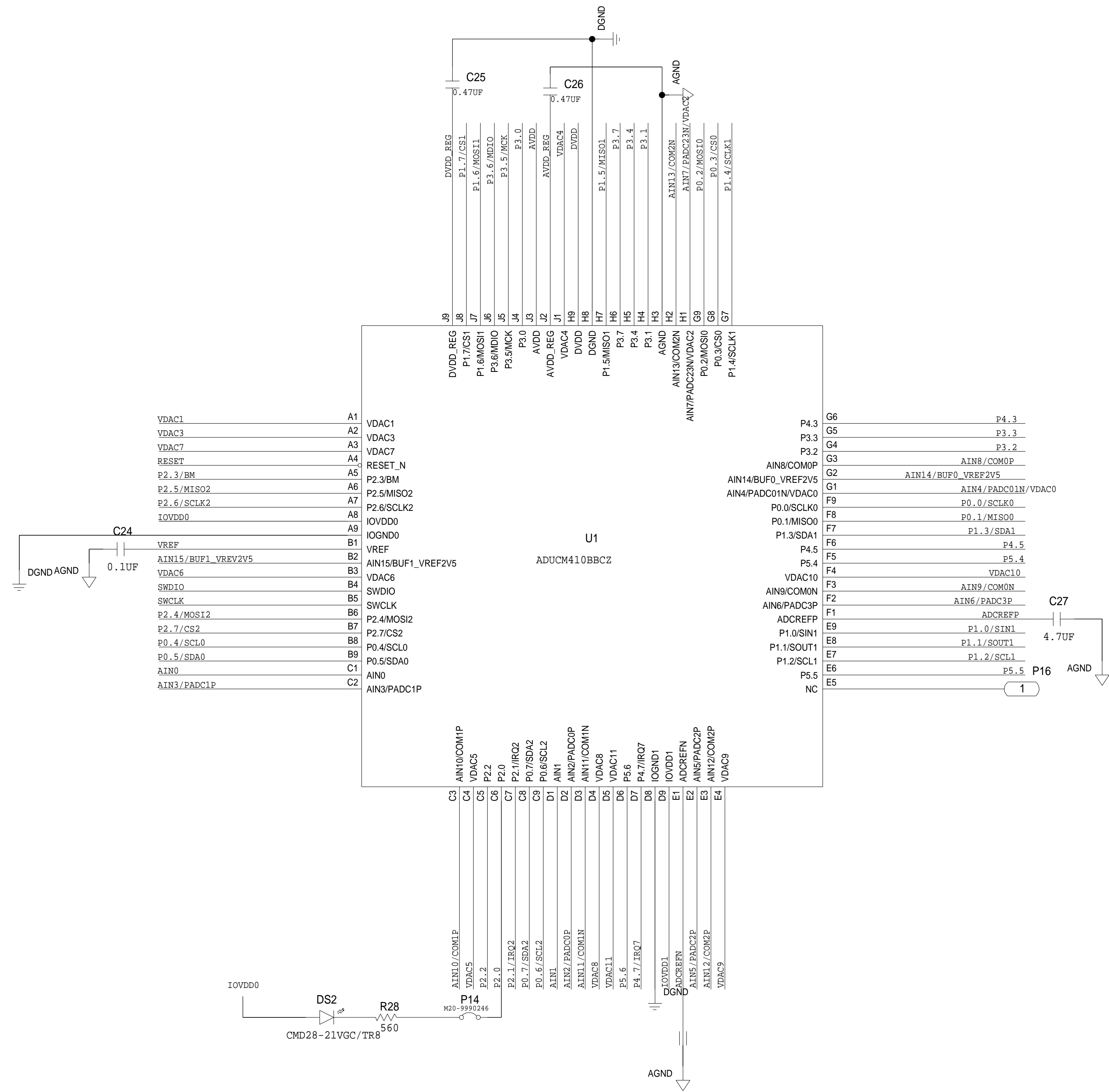


| REVISIONS | | | |
|-----------|-------------|------|----------|
| REV | DESCRIPTION | DATE | APPROVED |
| | | | |



| | | | |
|------------------------------|--|--------------|--------------|
| | SCHEMATIC | | |
| | HW TYPE : Customer Evaluation Z Product(s) : ADUCM410EBZ : N/A | | |
| DESIGN VIEW <DESIGN_VIEW> | DRAWING NO. 02_064139 | REV A | |
| PTD ENGINEER A HERNANDEZ | SIZE D | SCALE 1:1 | SHEET 2 OF 7 |

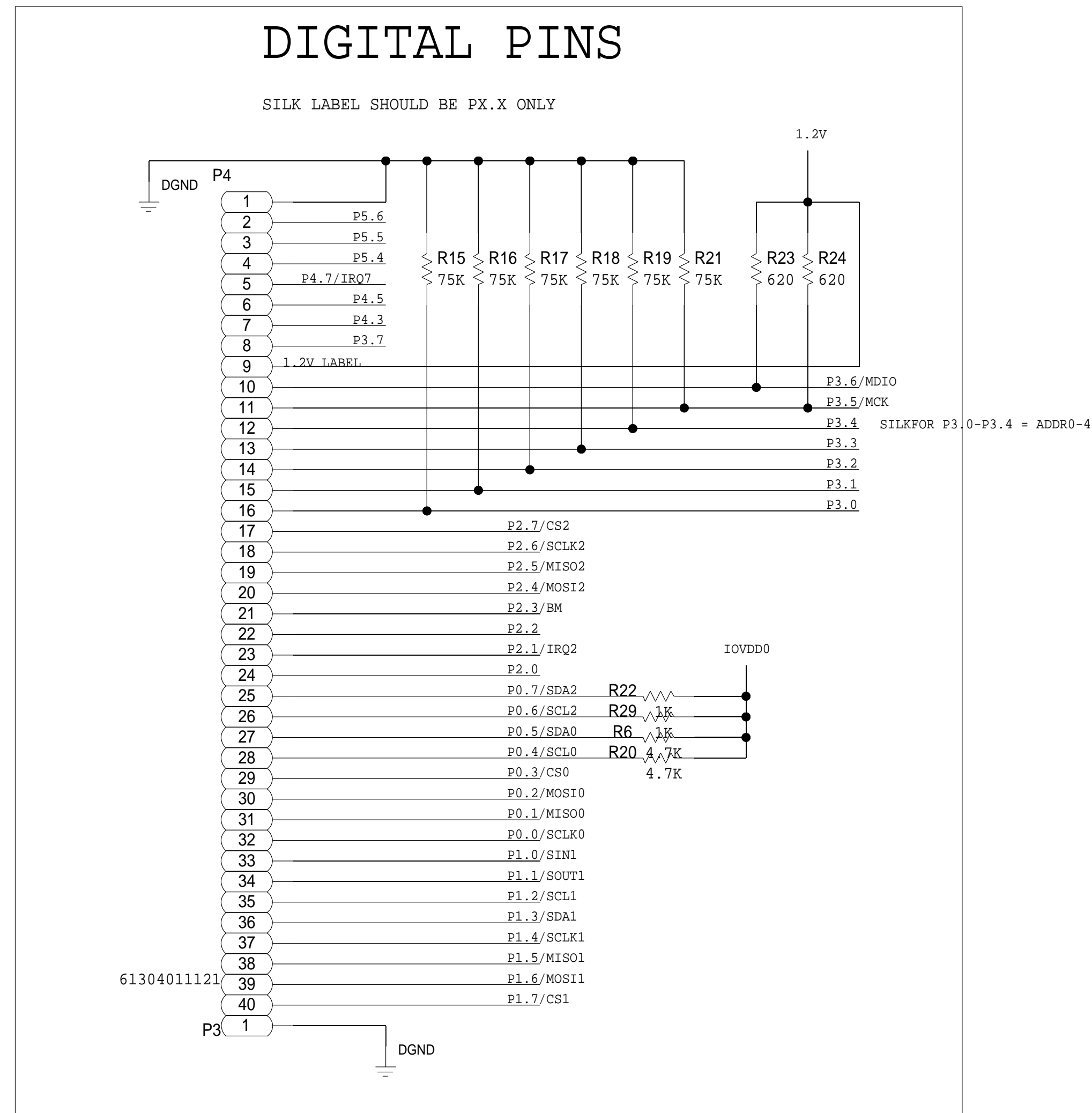
THIS DRAWING IS THE PROPERTY OF ANALOG DEVICES INC. IT IS NOT TO BE REPRODUCED OR COPIED, IN WHOLE OR IN PART, OR USED IN FURNISHING INFORMATION TO OTHERS, OR FOR ANY OTHER PURPOSE DETRIMENTAL TO THE INTERESTS OF ANALOG DEVICES. THE EQUIPMENT SHOWN HEREIN MAY BE PROTECTED BY PATENTS OWNED OR CONTROLLED BY ANALOG DEVICES.

| REVISIONS | | | |
|-----------|-------------|------|----------|
| REV | DESCRIPTION | DATE | APPROVED |
| | | | |

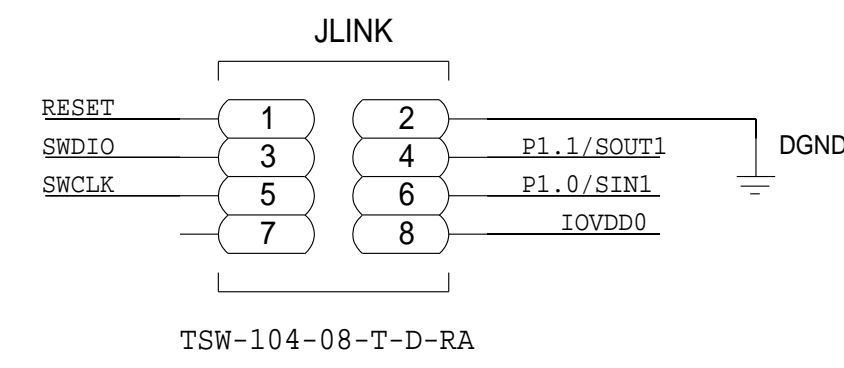
DIGITAL I/O

DIGITAL PINS

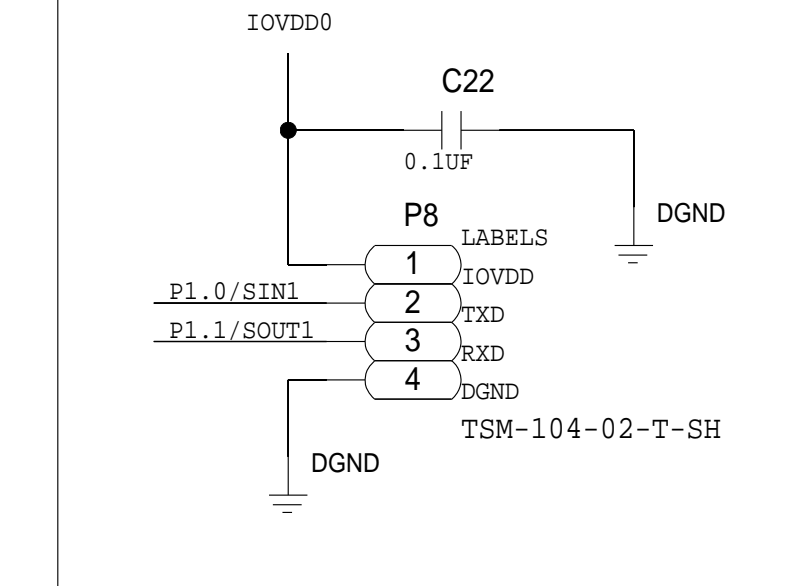
SILK LABEL SHOULD BE PX.X ONLY



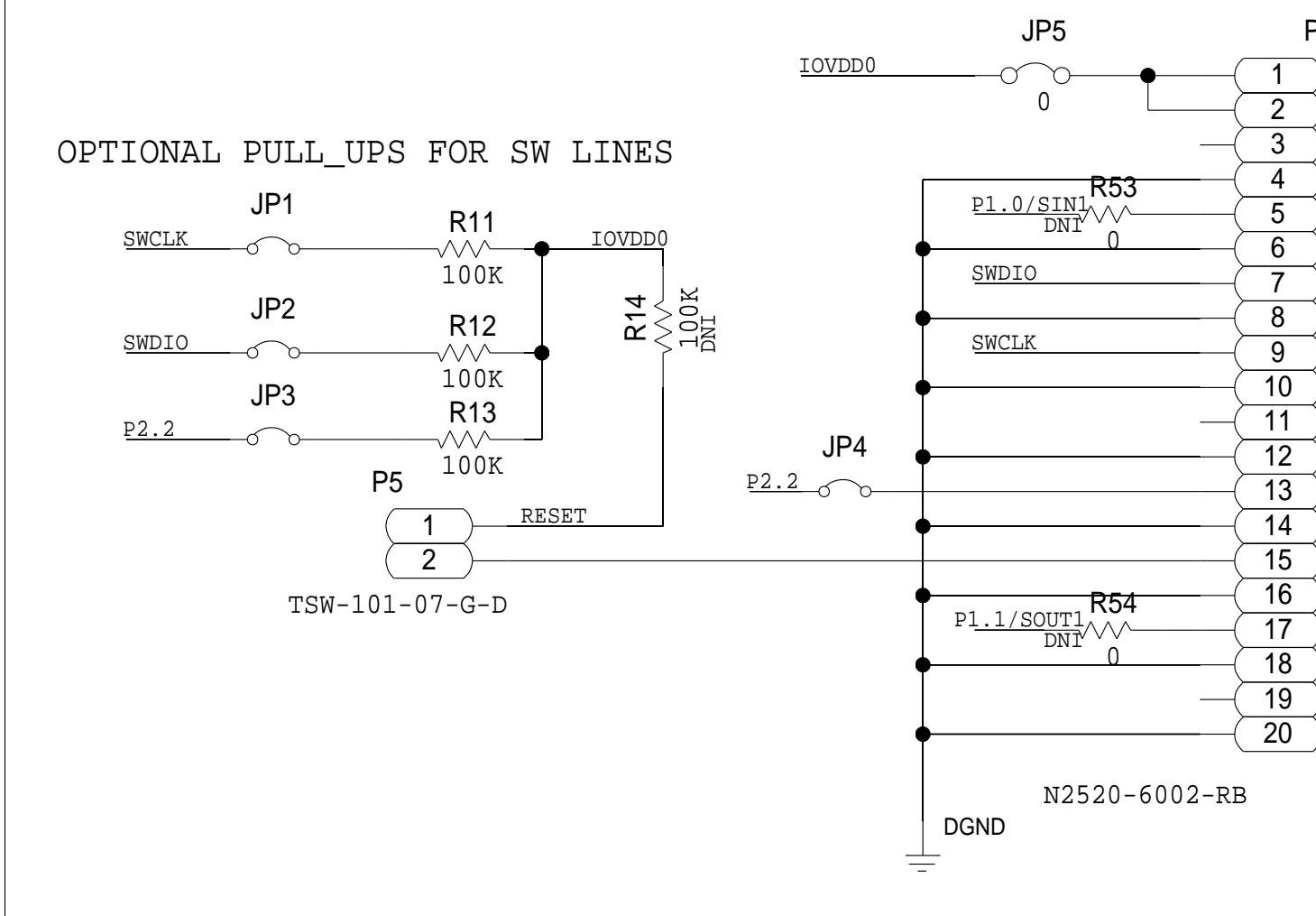
INTERFACE BOARD CONNECTOR FOR SERIAL WIRE PROGRAMMING/DEBUG



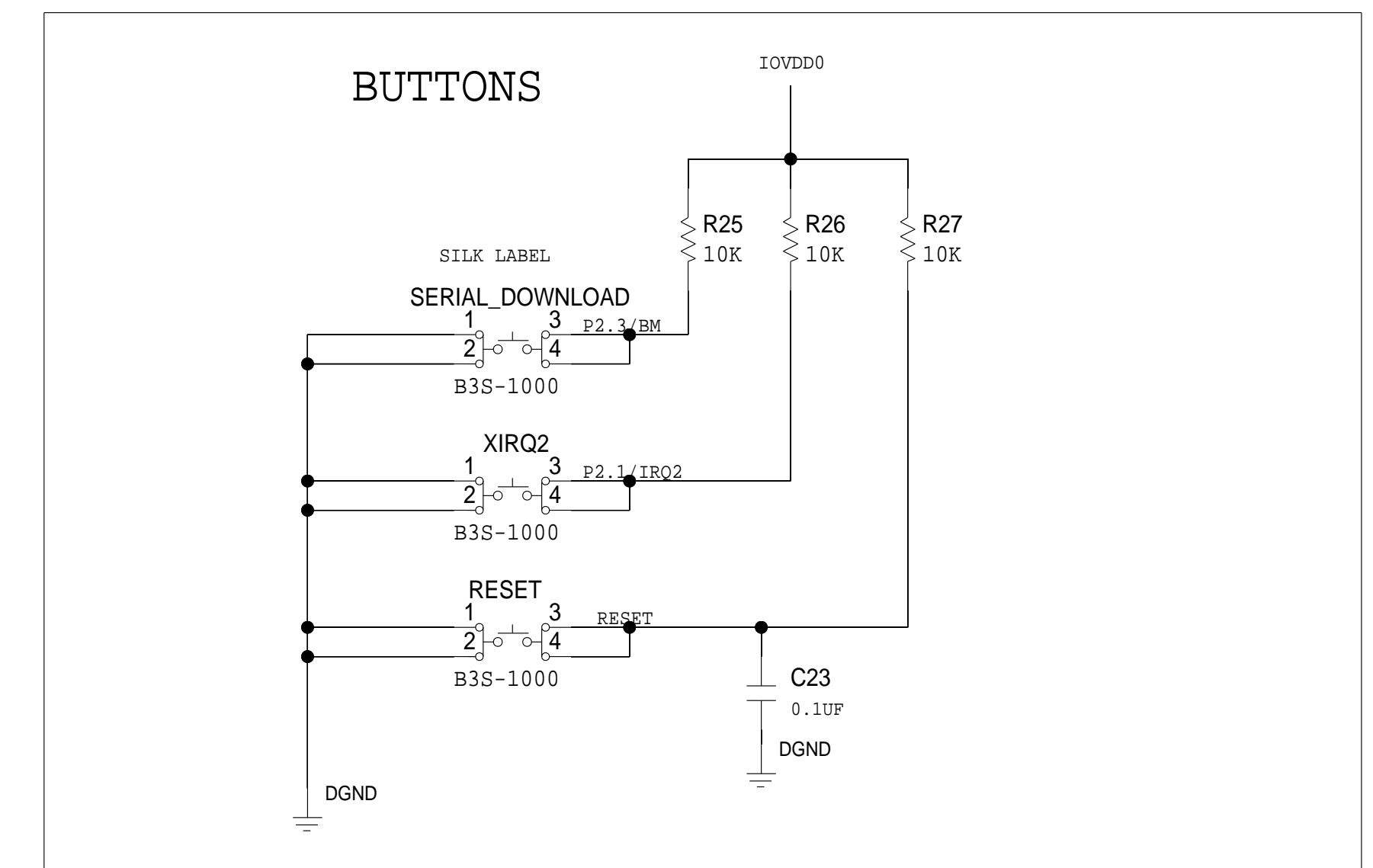
HEADER UART



MIDAS LINK CONNECTOR



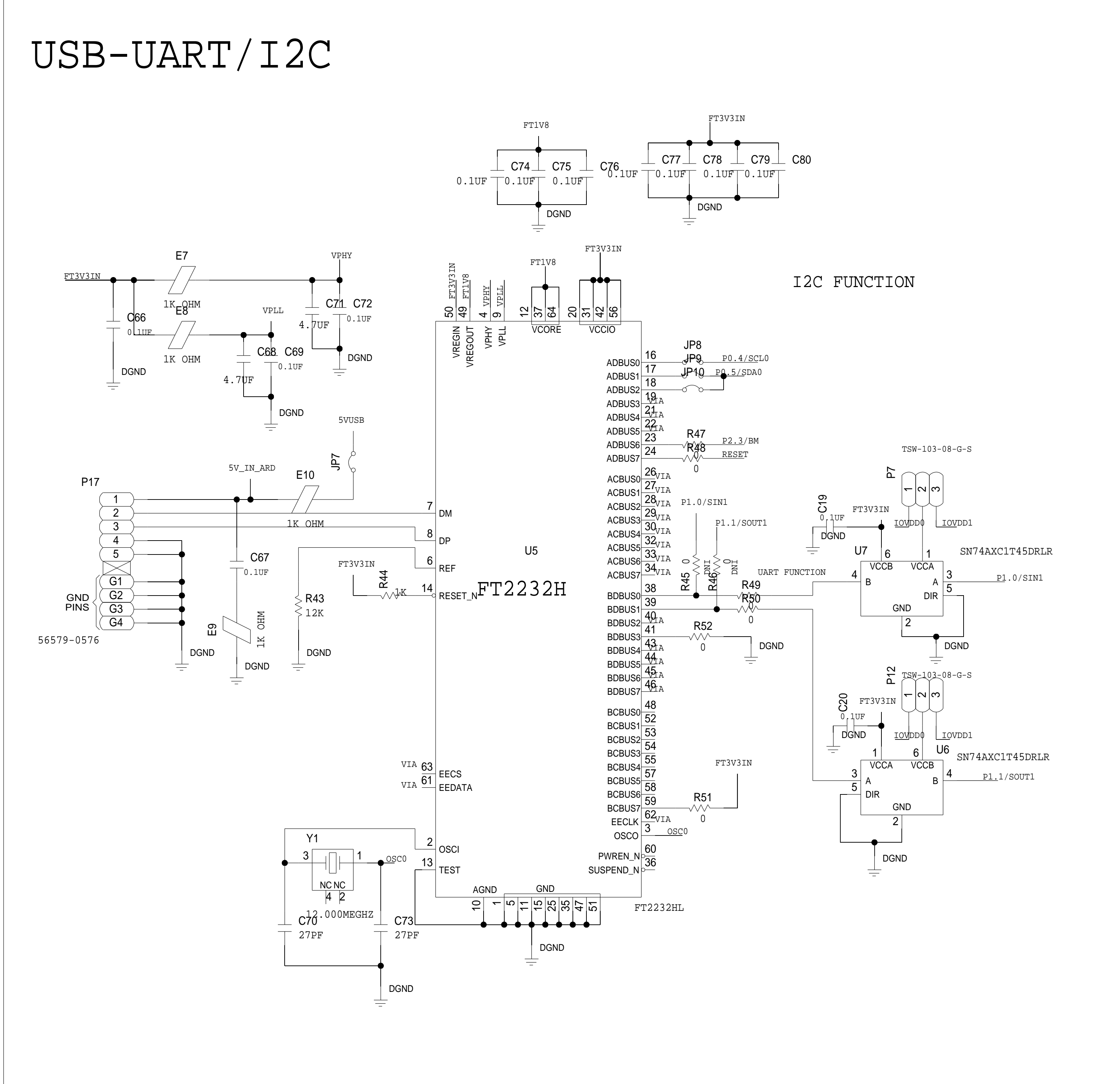
BUTTONS



| SCHEMATIC | | | |
|------------------------------|---------------------------------|-------------|--------------|
| | HW TYPE : Customer Evaluation Z | DRAWING NO. | REV |
| | Product(s): ADUCM410EBZ | 02_064139 | A |
| DESIGN VIEW <DESIGN_VIEW> | PTD ENGINEER A HERNANDEZ | SIZE D | SCALE 1:1 |
| SHEET 3 OF 7 | | | |

| REVISIONS | | | |
|-----------|-------------|------|----------|
| REV | DESCRIPTION | DATE | APPROVED |
| | | | |

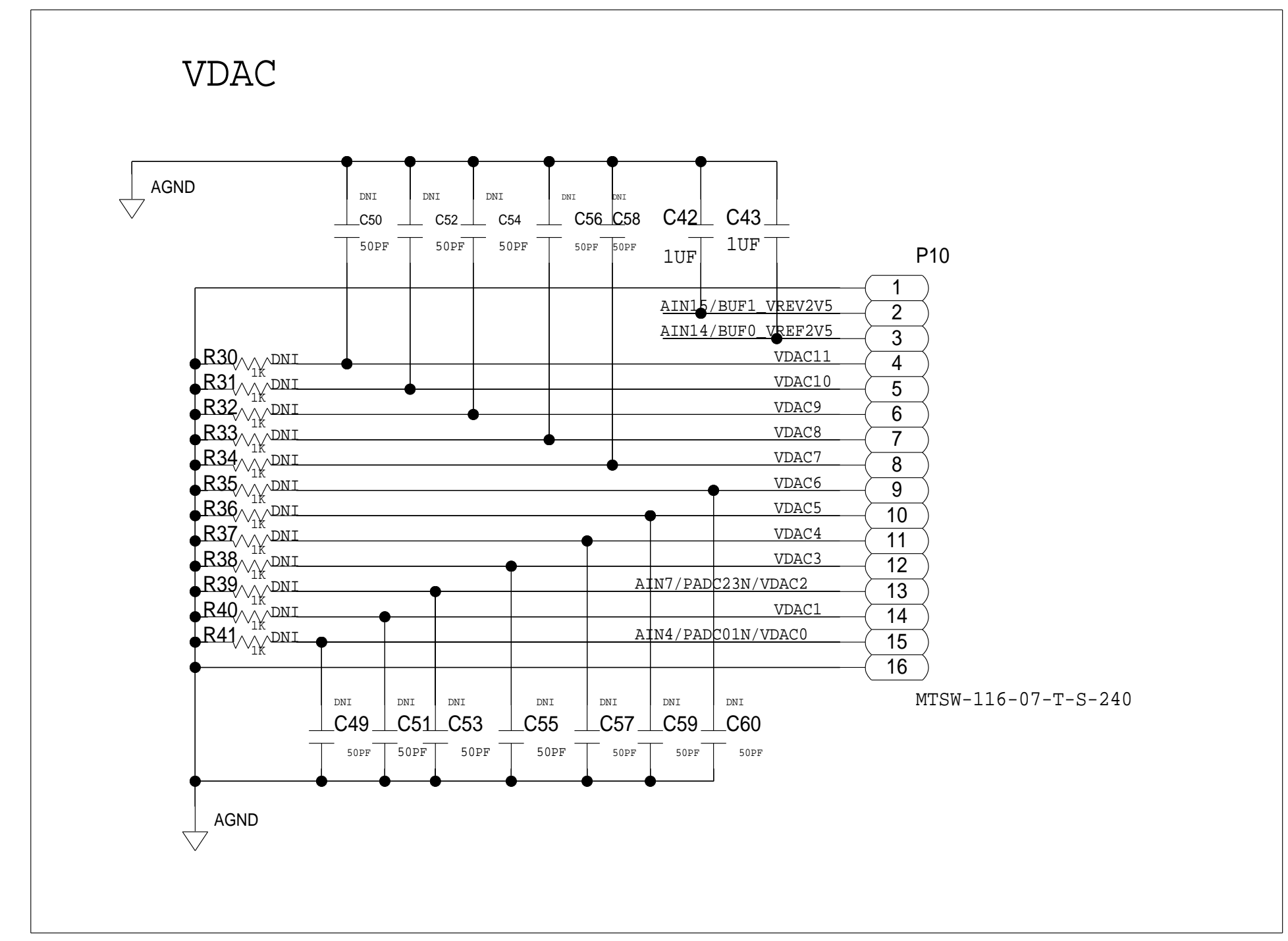
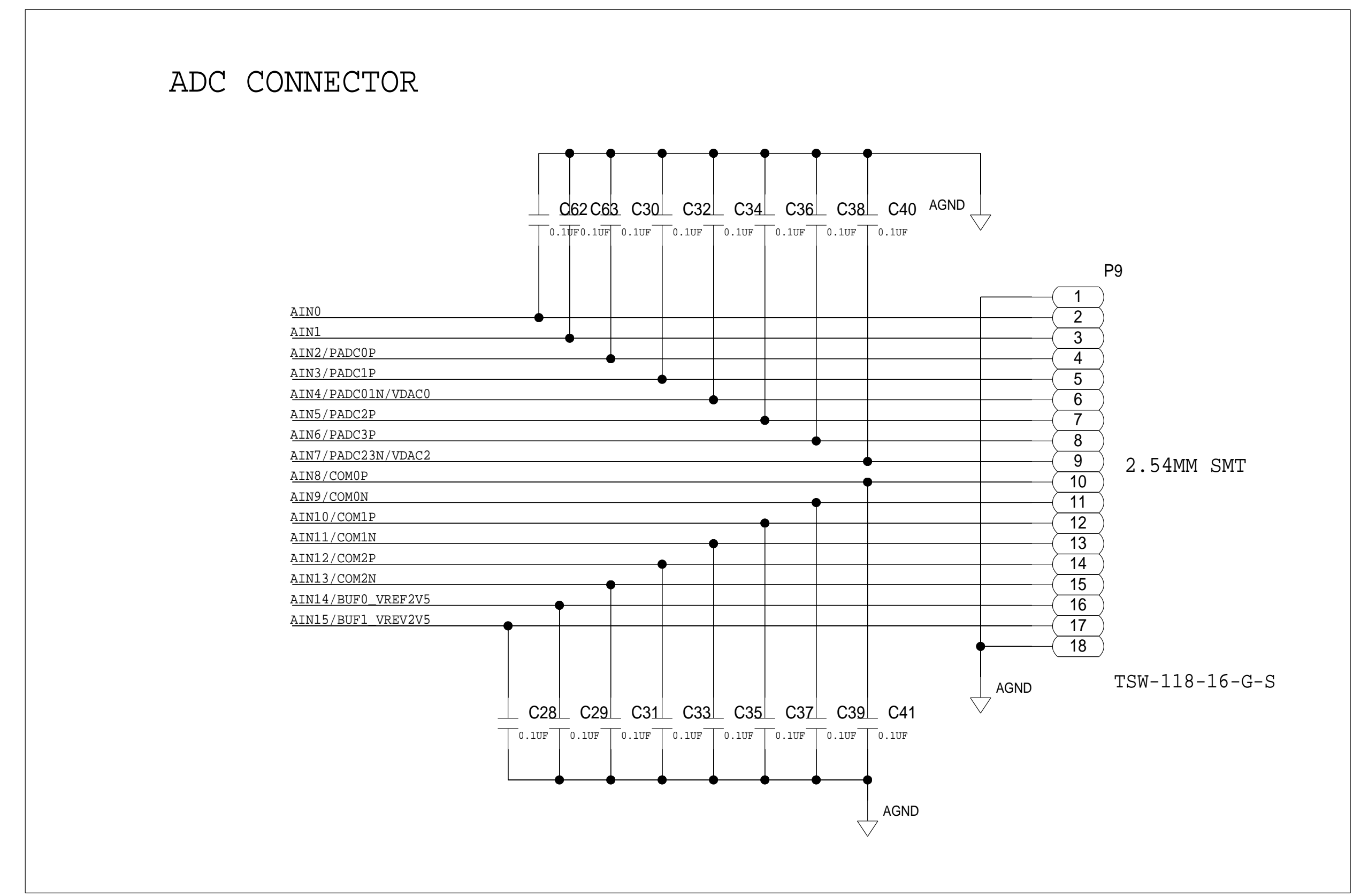
USB-UART/I2C



| ANALOG DEVICES | | | | SCHEMATIC | | | |
|---------------------------------|--|--------------------------|--|-----------|--|--------------|--|
| HW TYPE : Customer Evaluation Z | | DRAWING NO. 02_064139 | | REV A | | | |
| Product(s): ADUCM410EBZ | | PTD ENGINEER A HERNANDEZ | | SCALE 1:1 | | SHEET 4 OF 7 | |
| | | | | | | | |

| REVISIONS | | | |
|-----------|-------------|------|----------|
| REV | DESCRIPTION | DATE | APPROVED |
| | | | |

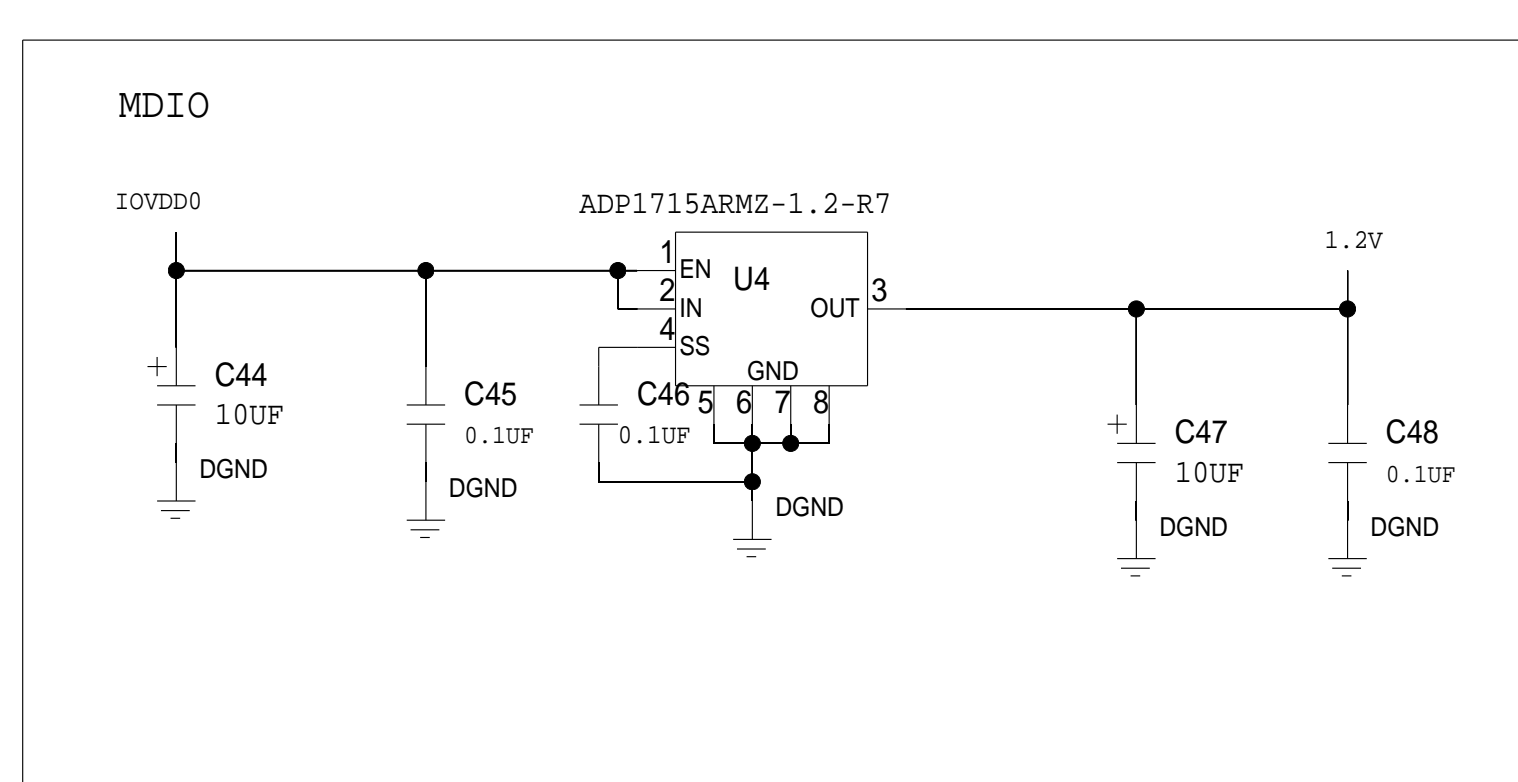
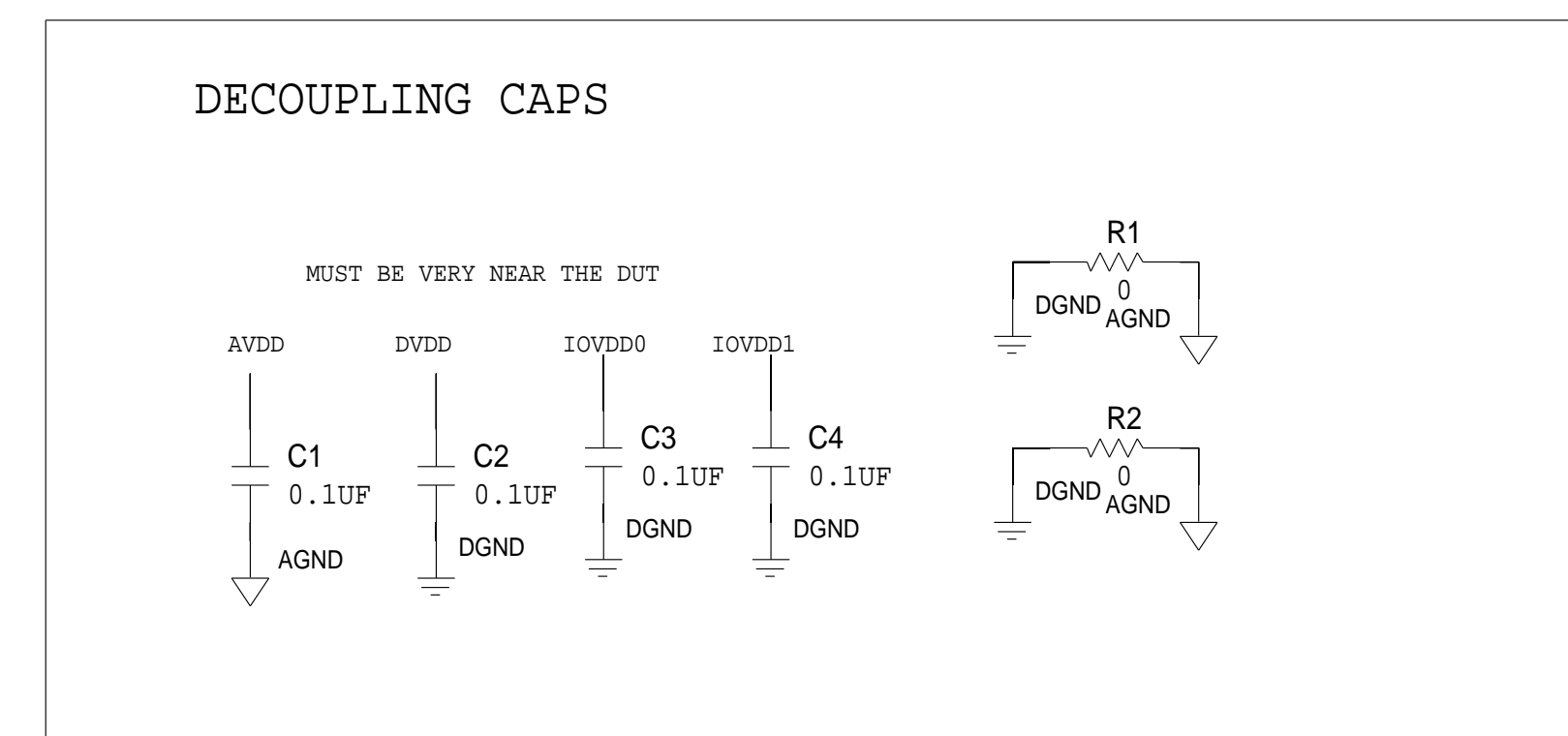
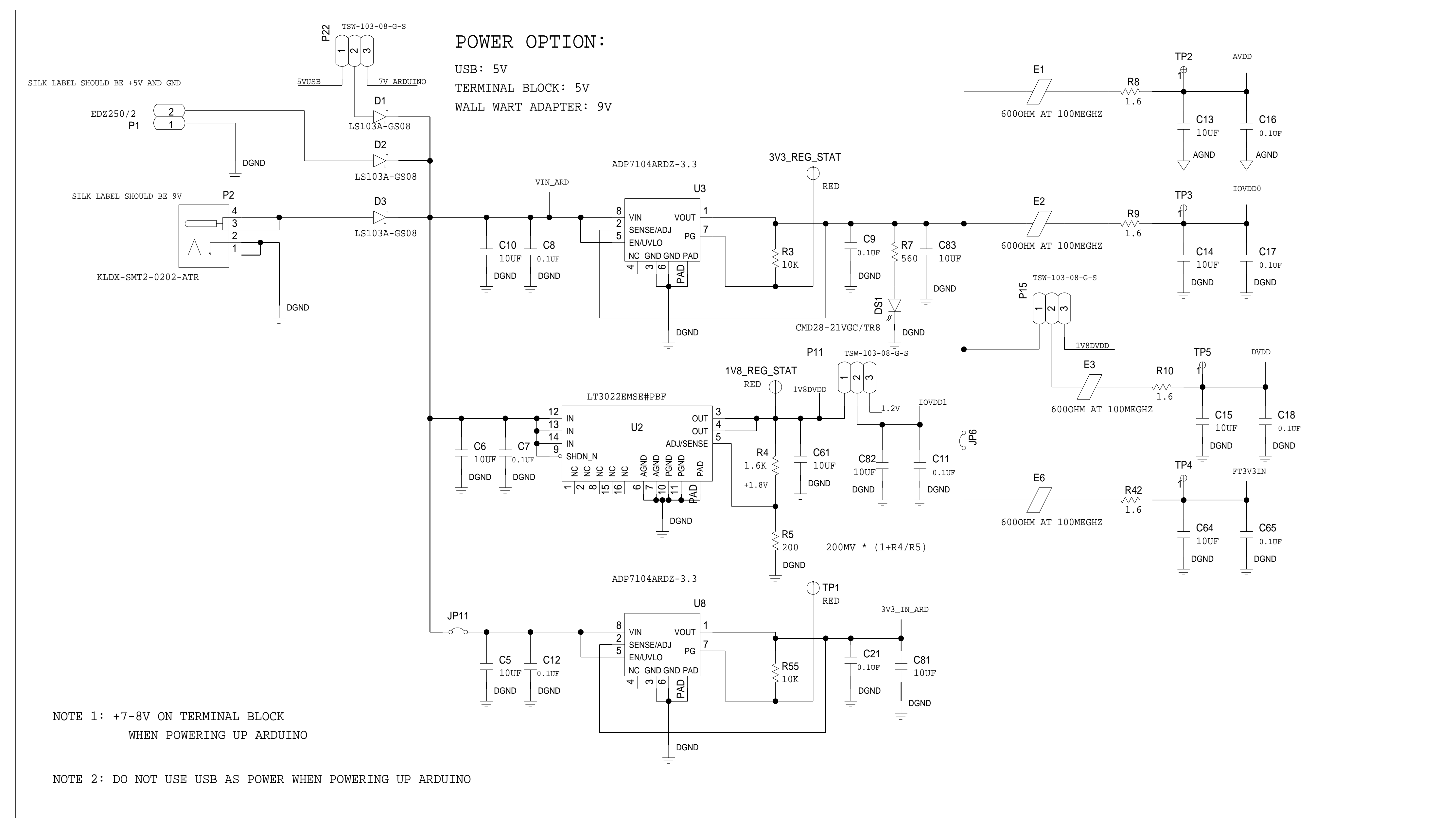
ADC / VDAC



| | | | |
|-----------------------------|--|--------------------------|--------------|
| | SCHEMATIC | | |
| | HW TYPE : Customer Evaluation Z Product(s) : ADUCM410EBZ : N/A | | |
| | DESIGN VIEW <DESIGN_VIEW> | DRAWING NO. 02_064139 | REV A |
| PTD ENGINEER A HERNANDEZ | SIZE D | SCALE 1:1 | SHEET 5 OF 7 |

| REVISIONS | | | |
|-----------|-------------|------|----------|
| REV | DESCRIPTION | DATE | APPROVED |
| | | | |

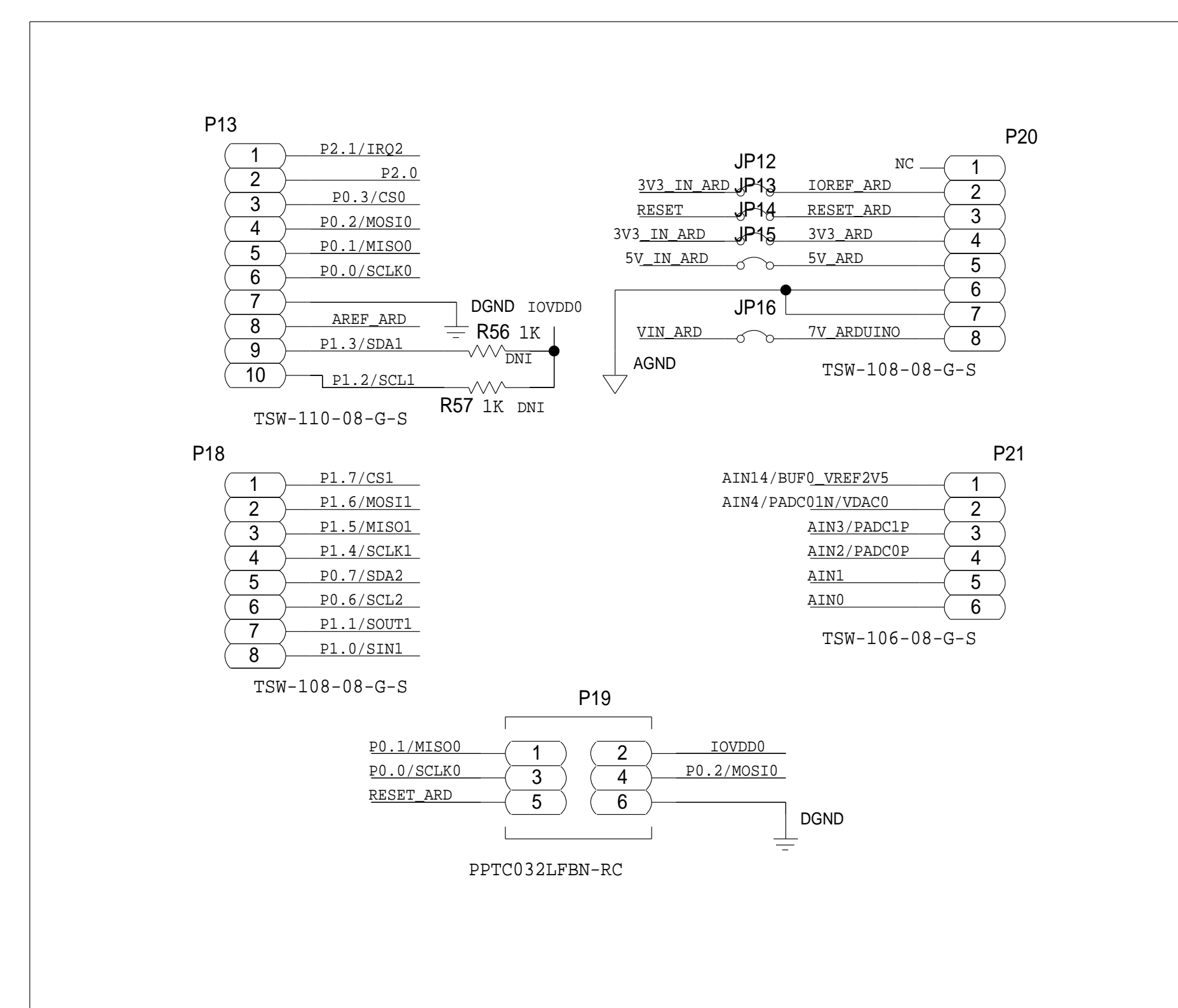
POWER



| | | | |
|--|---|--------------------------|--------------|
| | SCHEMATIC | | |
| | HW TYPE : Customer Evaluation Z Product(s): ADUCM410EBZ : N/A | | |
| | DESIGN VIEW <DESIGN_VIEW> | DRAWING NO. 02_064139 | REV A |
| | PTD ENGINEER A HERNANDEZ | SIZE D | SCALE 1:1 |
| | | SHEET 6 OF 7 | |

| REVISIONS | | | |
|-----------|-------------|------|----------|
| REV | DESCRIPTION | DATE | APPROVED |
| | | | |

ARDUINO HEADERS



| | | | |
|--|---|--------------------------|--------------|
| | SCHEMATIC | | |
| | HW TYPE : Customer Evaluation Z Product(s): ADUCM410EBZ : N/A | | |
| | DESIGN VIEW <DESIGN_VIEW> | DRAWING NO. 02_064139 | REV A |
| | PTD ENGINEER A HERNANDEZ | SIZE D | SCALE 1:1 |
| | | SHEET 7 OF 7 | |