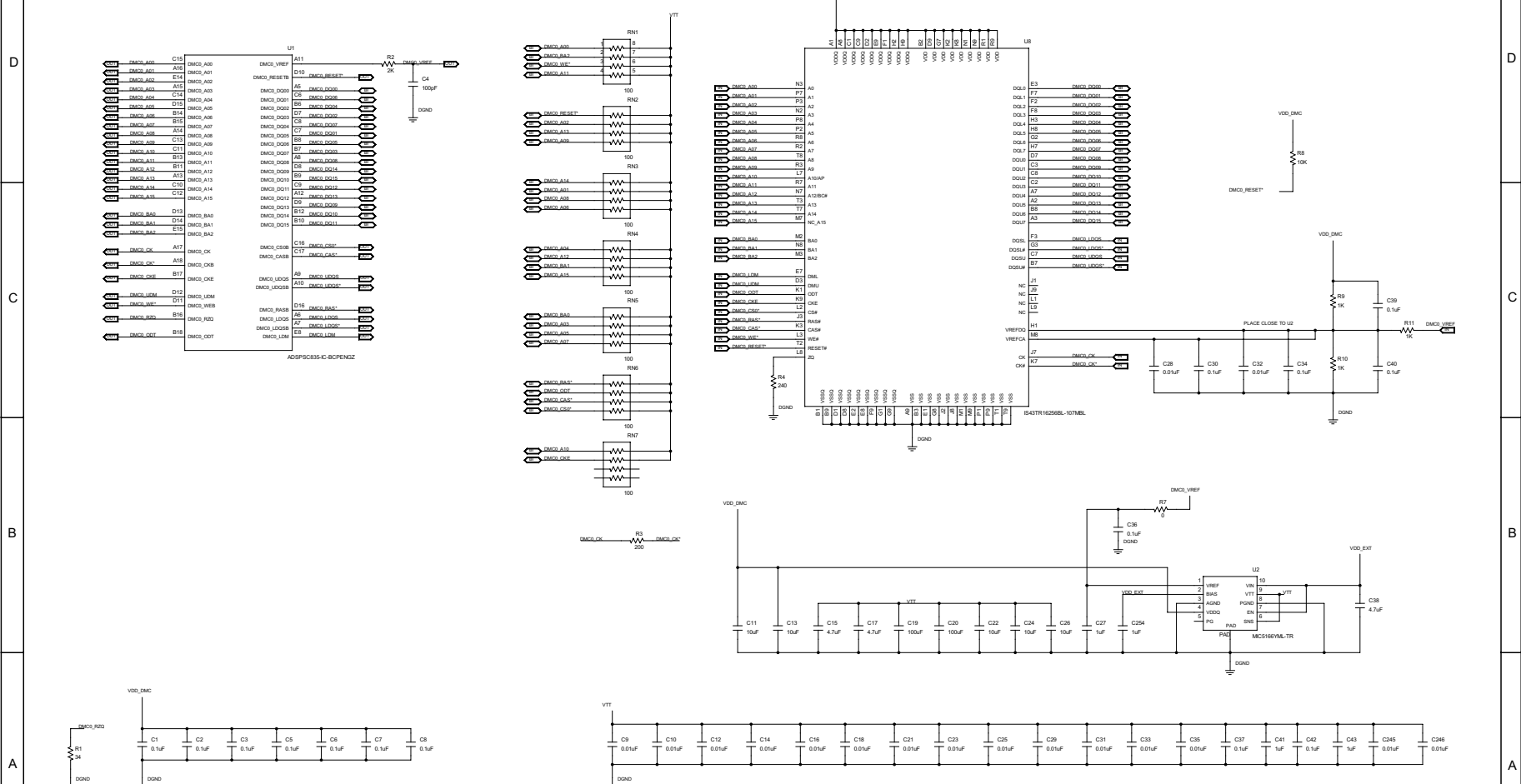


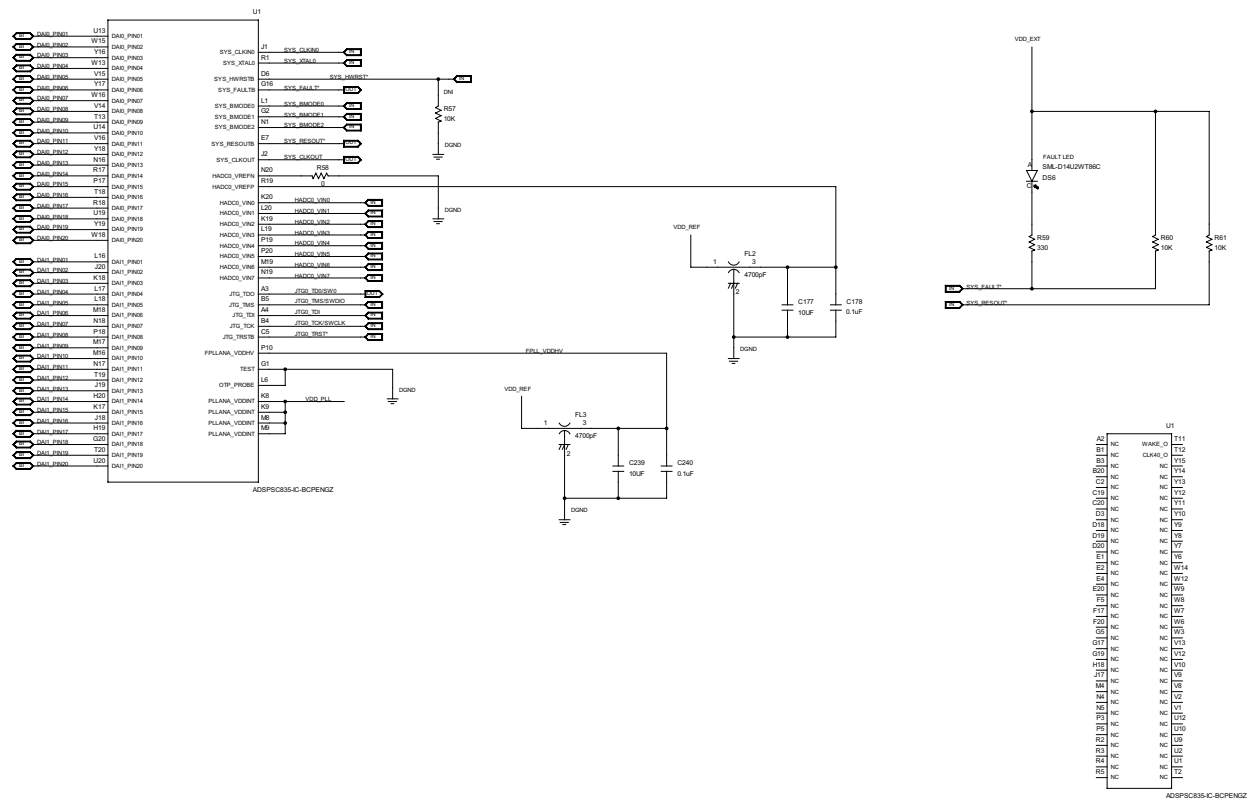
REVISIONS			
REV	DESCRIPTION	DATE	APPROVED

4GB 933 MHZ DDR3



	HW TYPE : Customer Evaluation Z Product(s) : ADSP-BC3000 : Eagle-HP		SCHEMATIC	
	DESIGN VIEW : SDESIGN_VIEW	DRAWING NO. : 02_060722	TITLE : SCALE : 1:1	REV : A
PTD ENGINEER : D. HARRINGTON	SHEET : 2 OF 16			

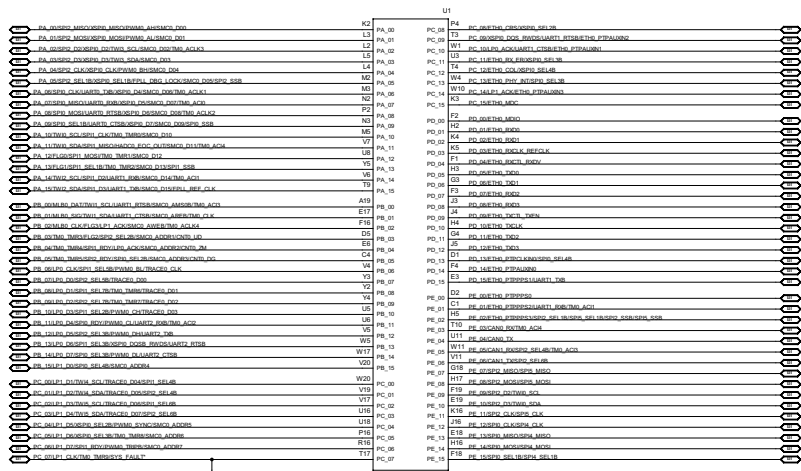
REVISIONS			
REV	DESCRIPTION	DATE	APPROVED



U1	
A2	NC
A3	NC
A4	NC
A5	NC
A6	NC
A7	NC
A8	NC
A9	NC
A10	NC
A11	NC
A12	NC
A13	NC
A14	NC
A15	NC
A16	NC
A17	NC
A18	NC
A19	NC
A20	NC
A21	NC
A22	NC
A23	NC
A24	NC
A25	NC
A26	NC
A27	NC
A28	NC
A29	NC
A30	NC
A31	NC
A32	NC
A33	NC
A34	NC
A35	NC
A36	NC
A37	NC
A38	NC
A39	NC
A40	NC
A41	NC
A42	NC
A43	NC
A44	NC
A45	NC
A46	NC
A47	NC
A48	NC
A49	NC
A50	NC
A51	NC
A52	NC
A53	NC
A54	NC
A55	NC
A56	NC
A57	NC
A58	NC
A59	NC
A60	NC
A61	NC
A62	NC
A63	NC
A64	NC
A65	NC
A66	NC
A67	NC
A68	NC
A69	NC
A70	NC
A71	NC
A72	NC
A73	NC
A74	NC
A75	NC
A76	NC
A77	NC
A78	NC
A79	NC
A80	NC
A81	NC
A82	NC
A83	NC
A84	NC
A85	NC
A86	NC
A87	NC
A88	NC
A89	NC
A90	NC
A91	NC
A92	NC
A93	NC
A94	NC
A95	NC
A96	NC
A97	NC
A98	NC
A99	NC
A100	NC

	SCHEMATIC	
	HW TYPE : Customer Evaluation 2 Product(s) : ADSP-3535 : Eagle-HP	
DESIGN VIEW : DESIGN_VIEW	DRAWING NO. : 02_080722	REV : A
PTD ENGINEER : D. HARRINGTON	SCALE : 1:1	SHEET 3 OF 16

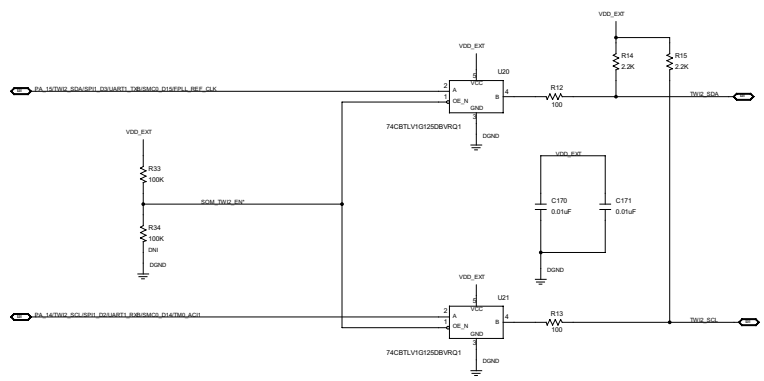
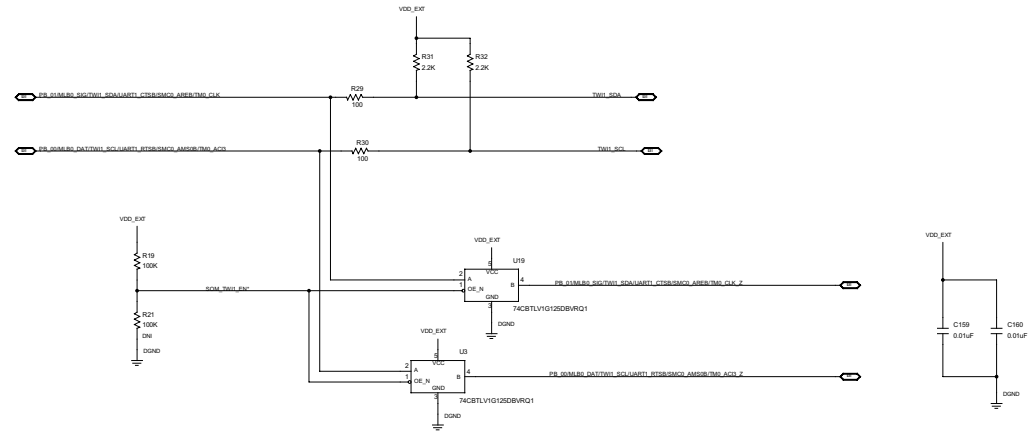
REVISIONS			
REV	DESCRIPTION	DATE	APPROVED



ADSP-C-BCP620Z

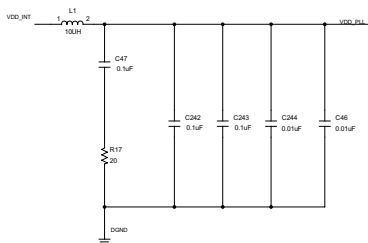
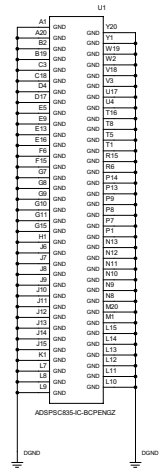
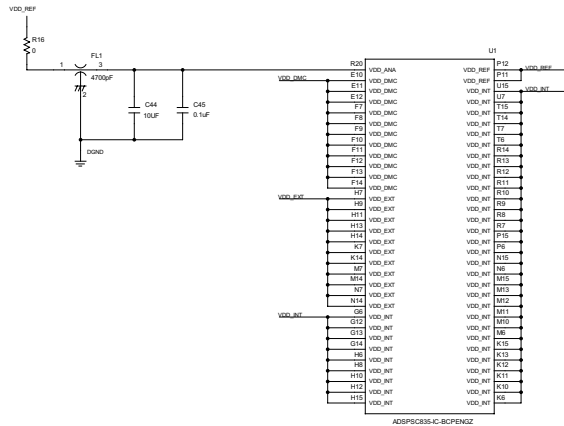
	SCHEMATIC		
	HW TYPE : Customer Evaluation Z Product(s) : ADSP-BC620Z : Eagle-HP		
DESIGN VIEW SECTION VIEW PTD ENGINEER D. HARRINGTON	DRAWING NO. 02_080722 100	SCALE 1:1	REV A SHEET 4 OF 16

REVISIONS			
REV	DESCRIPTION	DATE	APPROVED



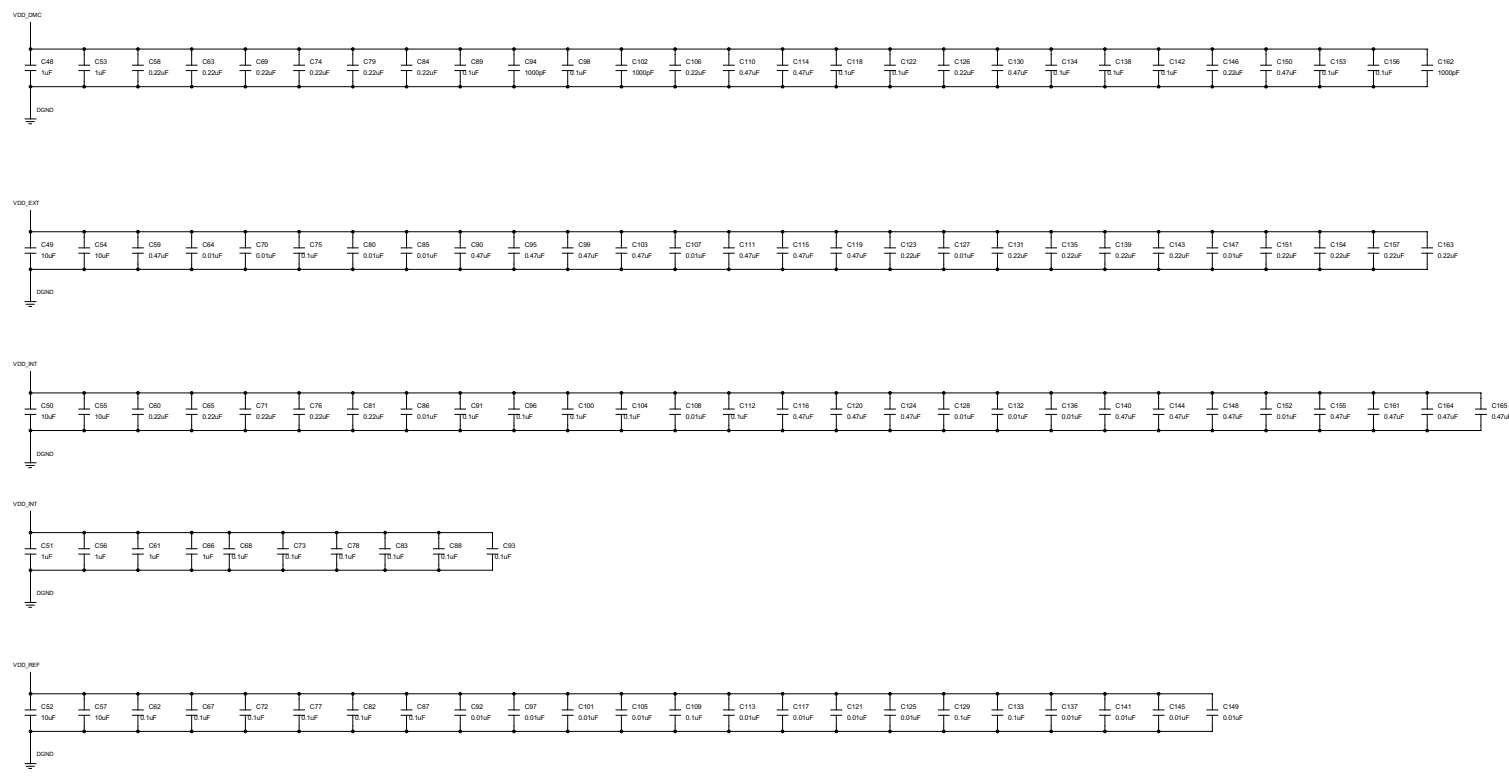
	SCHEMATIC		
	TNY TYPE : Customer Evaluation Z Product(s) : ADSP-04000 : Eagle-HP		
DESIGN VIEW : SDESIGN_VIEW	DRAWING NO. : 02_060722	REV : A	
PTD ENGINEER : D. HARRINGTON	SCALE : 1:1	SHEET 5 OF 16	

REVISIONS			
REV	DESCRIPTION	DATE	APPROVED



	SCHEMATIC		REV
	HW TYPE: Customer Evaluation Z Product(s): AD95PC855 : Eagle-1-IP		A
DESIGN VIEW	DESIGN NO.	SCALE	SHEET
DESIGN VIEW	02_060722	1:1	6 OF 16
PTD ENGINEER:	D. HARRINGTON	DATE	

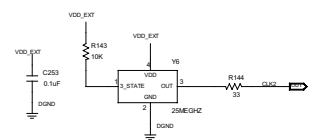
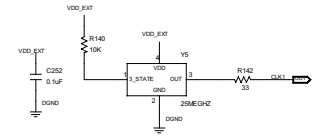
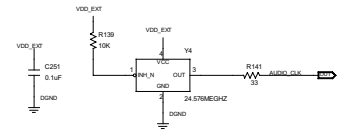
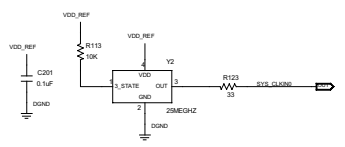
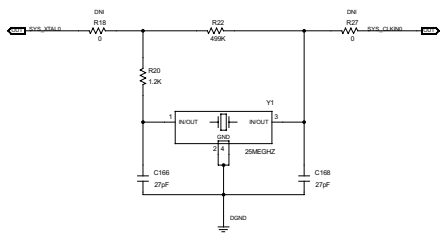
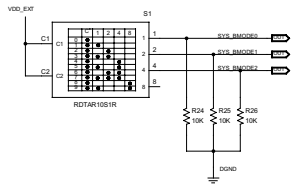
REVISIONS			
REV	DESCRIPTION	DATE	APPROVED



	SCHEMATIC		
	TAY TYPE : Customer Evaluation Z Product(s) : AD99-00308 : Eagle-HP		
	DESIGN VIEW : SDESIGN_VIEW	DRAWING NO. : 02_080722	REV : A
	PTD ENGINEER : D. HARRINGTON	SCALE : 1:1	SHEET 7 OF 16

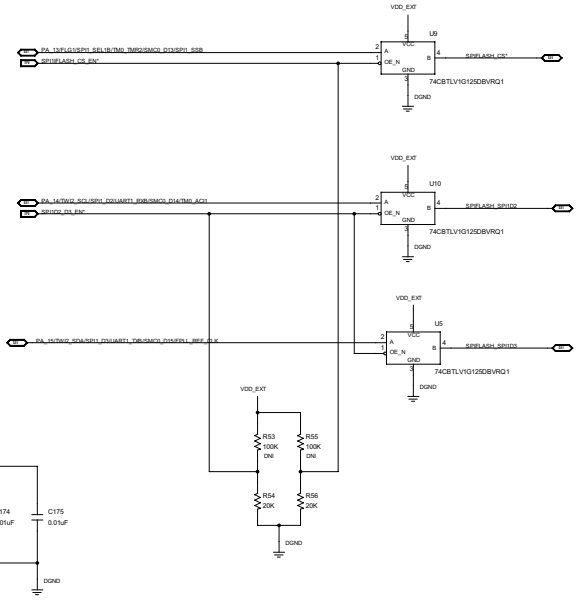
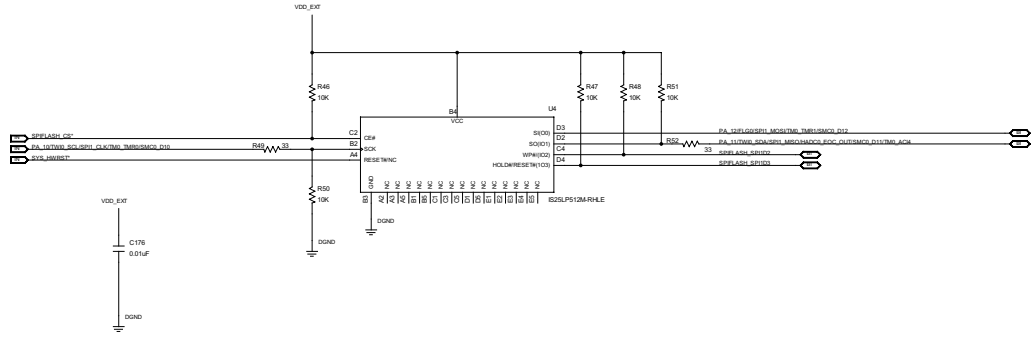
REVISIONS			
REV	DESCRIPTION	DATE	APPROVED

BOOT MODES
 0: NO BOOT
 1: SPI MASTER BOOT
 2: SPI SLAVE BOOT
 3: UART BOOT
 4: LP0 SLAVE BOOT
 5: XSPI BOOT



	SCHEMATIC		
	TINY TYPE : Customer Evaluation Z Product(s) : ADSP-06030 : Eagle-HP		
DESIGN VIEW : DESIGN_VIEW	DRAWING NO. : 02_060722	REV : A	
PTD ENGINEER : D. HARRINGTON	SCALE : 1:1	SHEET : 8	OF : 16

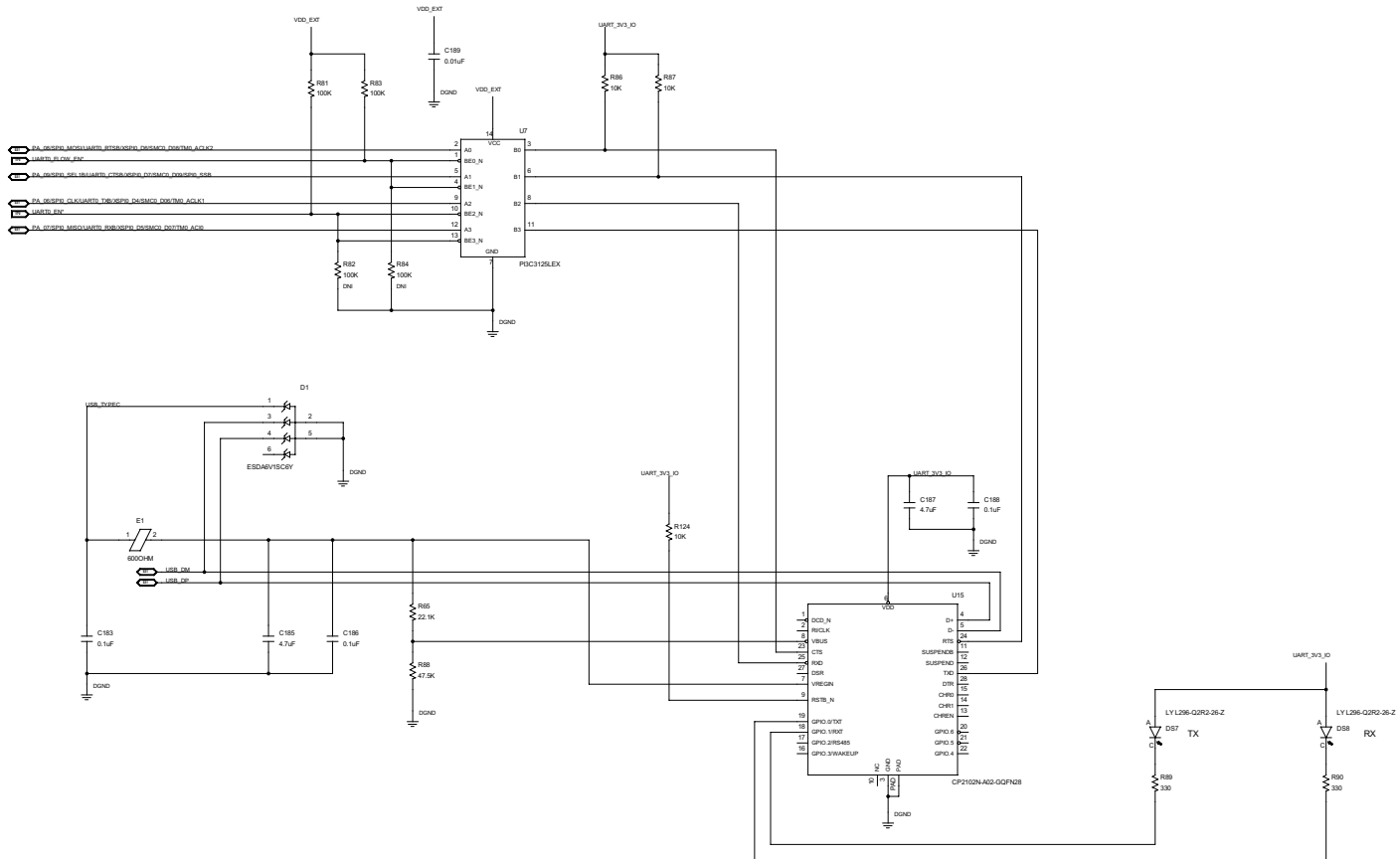
REVISIONS			
REV	DESCRIPTION	DATE	APPROVED



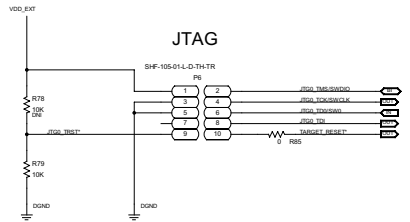
SPI FLASH IS ENABLED BY DEFAULT ON SPI1

	SCHEMATIC		REV
	HW TYPE : Customer Evaluation Z Product(s) : ADSP-6030E : Eagle-HP	DESIGN VIEW : DESIGN_VIEW	DRAWING NO. : 02_060722
PTD ENGINEER : D. HARRINGTON	TITLE : SCALE : 1:1	SHEET : 9 OF 16	

REVISIONS			
REV	DESCRIPTION	DATE	APPROVED



JTAG



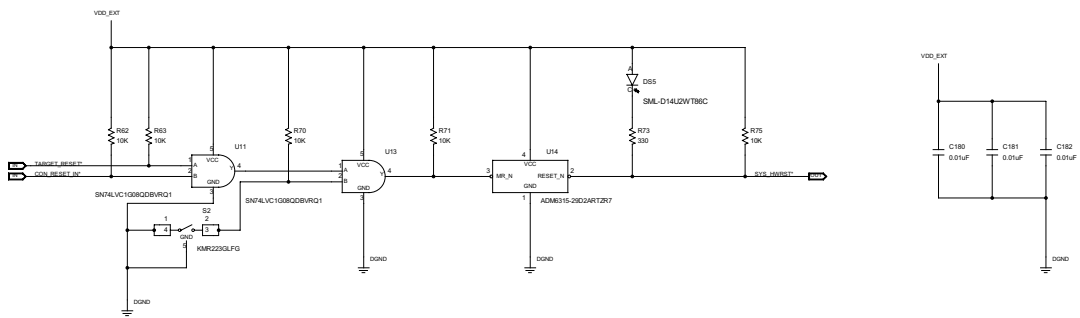
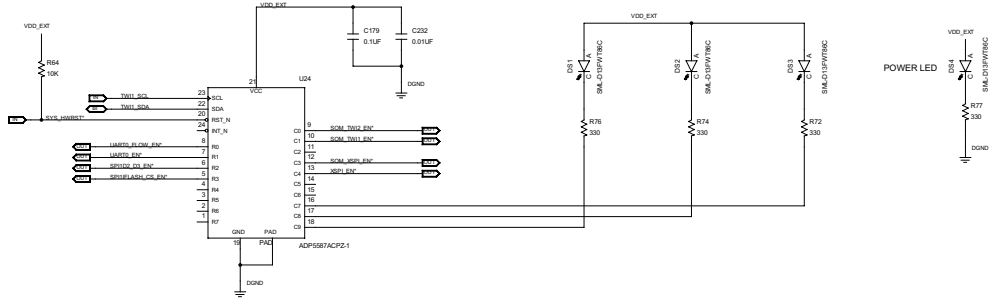
SCHEMATIC			
TNY TYPE: Customer Evaluation Z Product(s): ADSP-BC020 : Eagle-HP			
DESIGN VIEW: SDESIGN_VIEW	DRAWING NO.: 02_060722	REV: A	
PTD ENGINEER: D. HARRINGTON	SCALE: 1:1	SHEET 11 OF 16	

REVISIONS			
REV	DESCRIPTION	DATE	APPROVED

DEFAULT SOFTCONFIG STATES

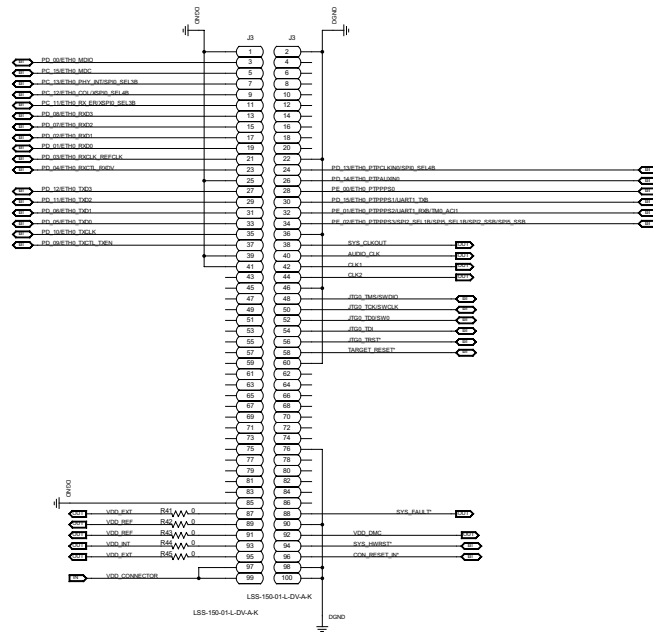
SIGNAL	STATE
UART0_FLOW_EN*	LOW
UART0_EN*	LOW
SPI1D2_D3_EN*	LOW
SPI1FLASH_CS_EN*	LOW
SOM_TWI2_EN*	HIGH
SOM_TWI1_EN*	HIGH
TWI1_EN*	LOW
SOM_XSPI_EN*	HIGH
XSPI_EN*	LOW

TWI ADDRESS 0X60



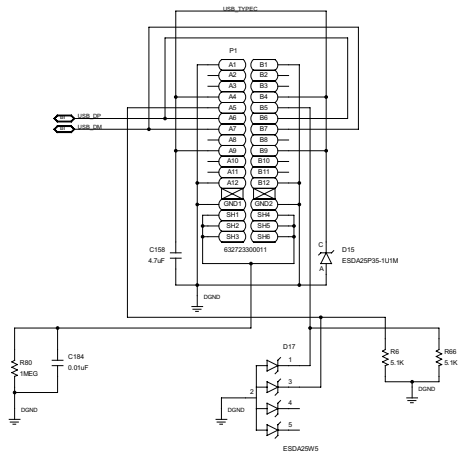
	SCHEMATIC	
	TWI TYPE : Customer Evaluation Z Product(s) : ADP5967ACF2-1 : Eagle-HP	
DESIGN VIEW : SDESIGN_VIEW PTD ENGINEER : D. HARRINGTON	DRAWING NO. : 02_060722 100% SCALE : 1:1	REV : A SHEET 12 OF 16

REVISIONS			
REV	DESCRIPTION	DATE	APPROVED



	SCHEMATIC		
	HW TYPE : Customer Evaluation Z Product(s) : ADSP-21000 : Eagle-HP		
DESIGN VIEW DESIGN_VIEW	DRAWING NO. 02_060722	REV A	
PTD ENGINEER D. HARRINGTON	SCALE 1:1	SHEET 14 OF 16	

REVISIONS			
REV	DESCRIPTION	DATE	APPROVED



USB PD MODES

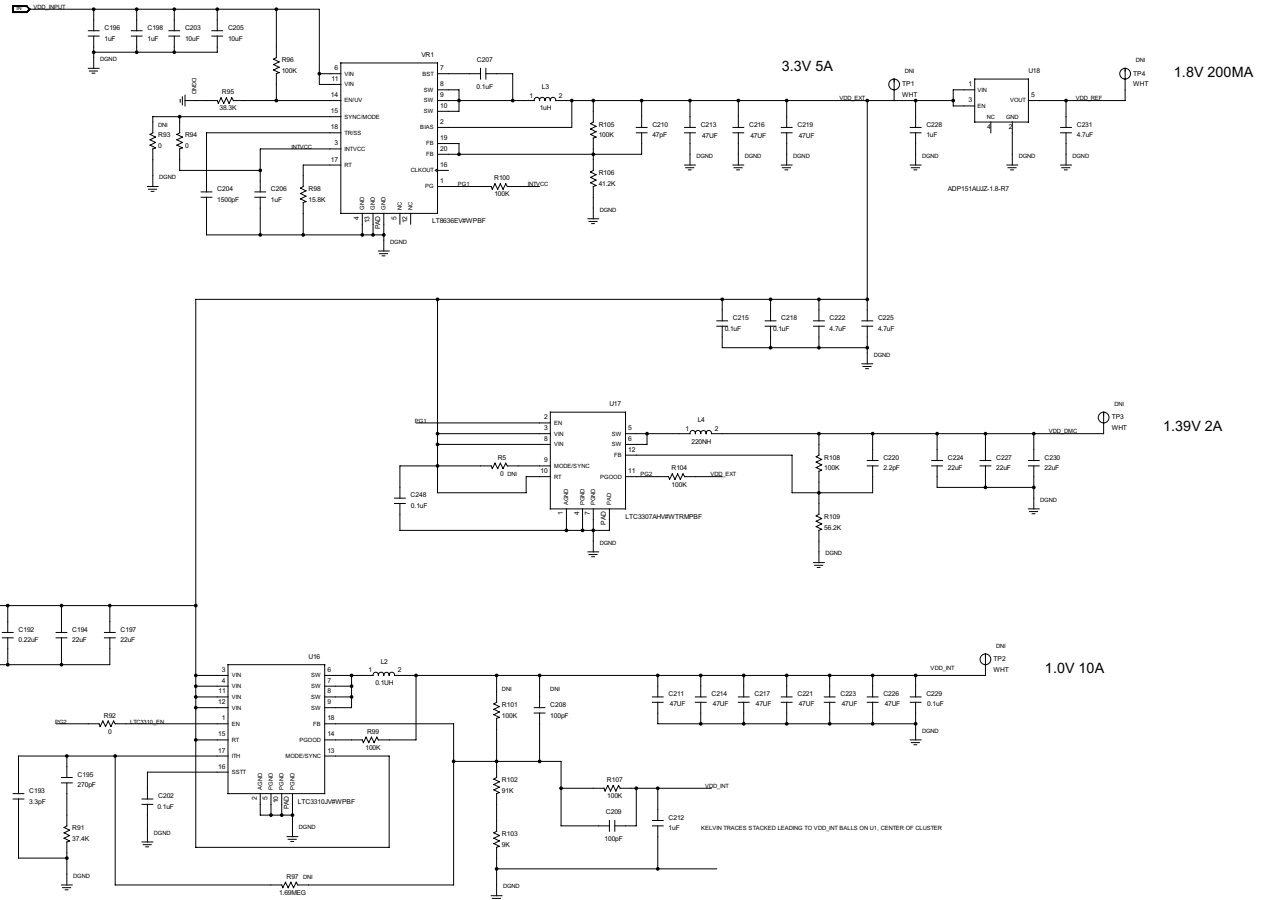
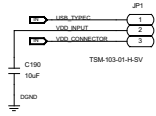
5V 3A FIXED MODE - 5.1K PULL DOWN ON CC1 CC2



SCHEMATIC		REV
RAW TYPE : Customer Evaluation Z Product(s) : ADSP-04000 : Eagle-HP		A
DESIGN VIEW : DESIGN_VIEW	DRAWING NO. : 02_080722	SHEET 15 OF 16
PTD ENGINEER : D. HARRINGTON	SCALE : 1:1	DATE : 08/07/22

POWER INPUT SETTINGS

JP1 PIN 1&2 POWER BY USB
 JP1 PIN 2&3 POWER BY SOM CONNECTOR



REVISIONS			
REV	DESCRIPTION	DATE	APPROVED

	SCHEMATIC		
	HW TYPE : Customer Evaluation Z Product: ADSP-SC030 : Eagle-HP		
DESIGN VIEW : DESIGN_VIEW	DRAWING NO. : 02_060722	REV : A	
PTD ENGINEER : D. HARRINGTON	1021 SCALE : 1:1	SHEET 16 OF 16	