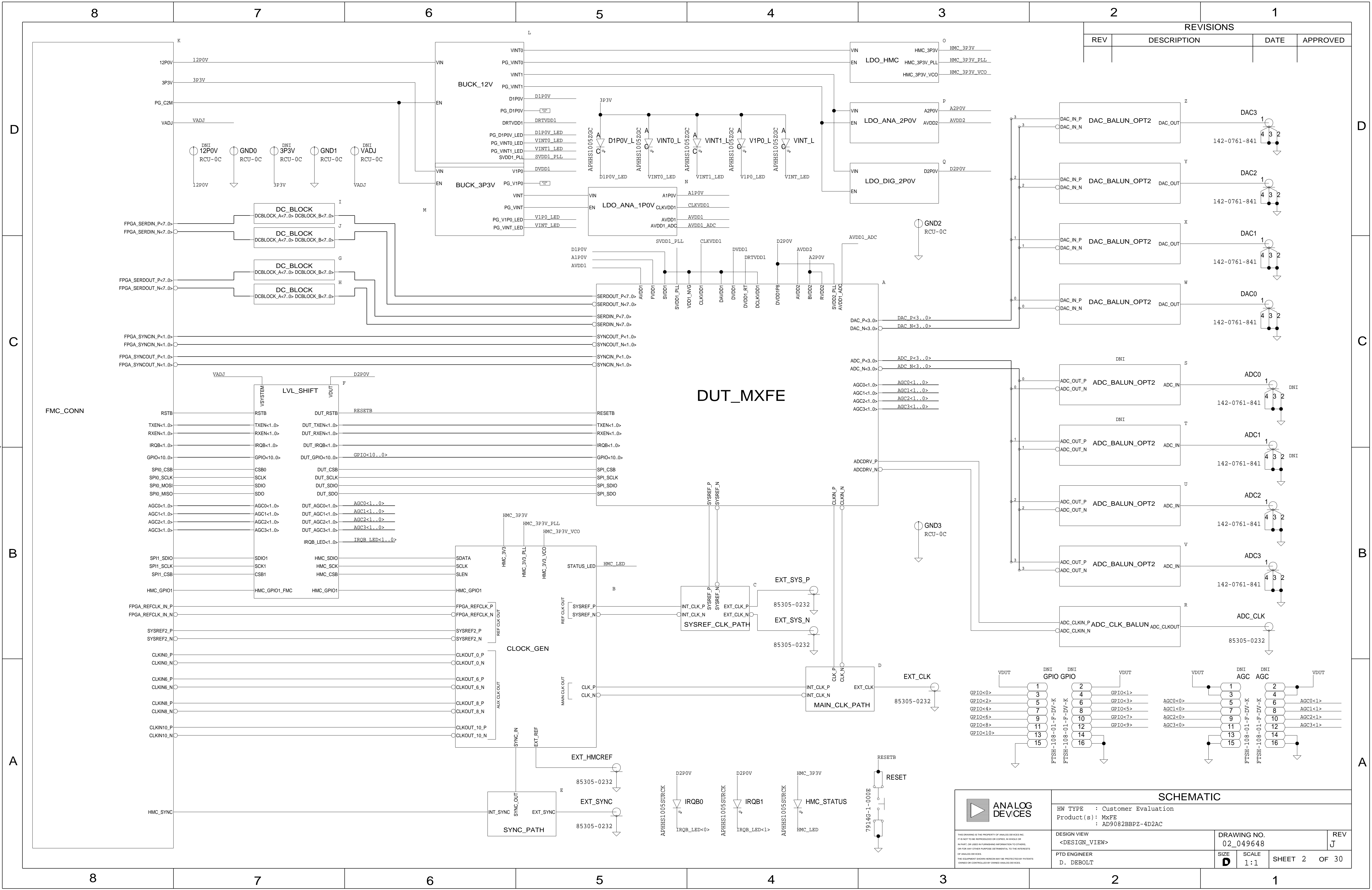


REVISIONS			
REV	DESCRIPTION	DATE	APPROVED



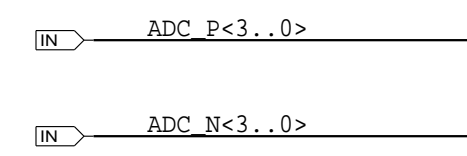
	SCHEMATIC		
	HW TYPE : Customer Evaluation Product(s) : MxFE : AD9082BBPZ-4D2AC		
DESIGN VIEW <DESIGN_VIEW>	DRAWING NO. 02_049648	REV J	
PTD ENGINEER D. DEBOLT	SIZE D	SCALE 1:1	SHEET 2 OF 30

THIS DRAWING IS THE PROPERTY OF ANALOG DEVICES INC. IT IS NOT TO BE REPRODUCED OR COPIED, IN WHOLE OR IN PART, OR USED IN ANY MANNER WITHOUT THE WRITTEN PERMISSION OF ANALOG DEVICES. THE EQUIPMENT SHOWN HEREIN MAY BE PROTECTED BY PATENTS OWNED OR CONTROLLED BY ANALOG DEVICES.

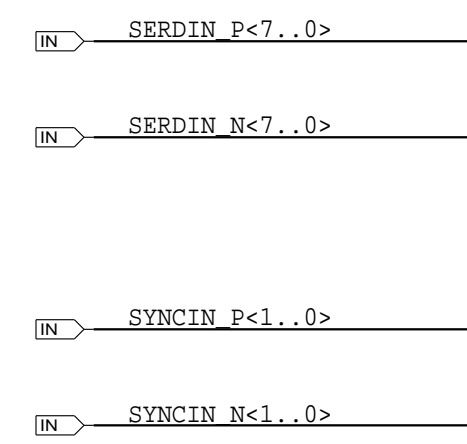
DUT -- PAGE 1 OF 2 : INPUT / OUTPUT

REVISIONS			
REV	DESCRIPTION	DATE	APPROVED

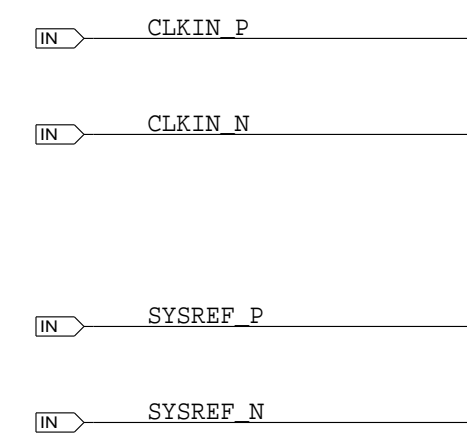
ADC



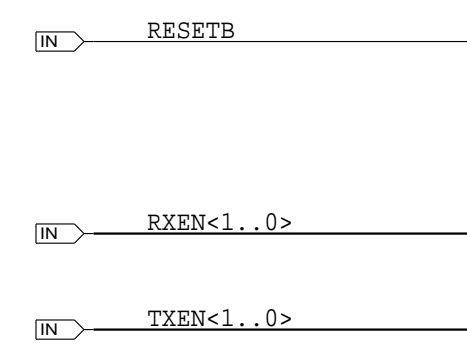
SERDES IN



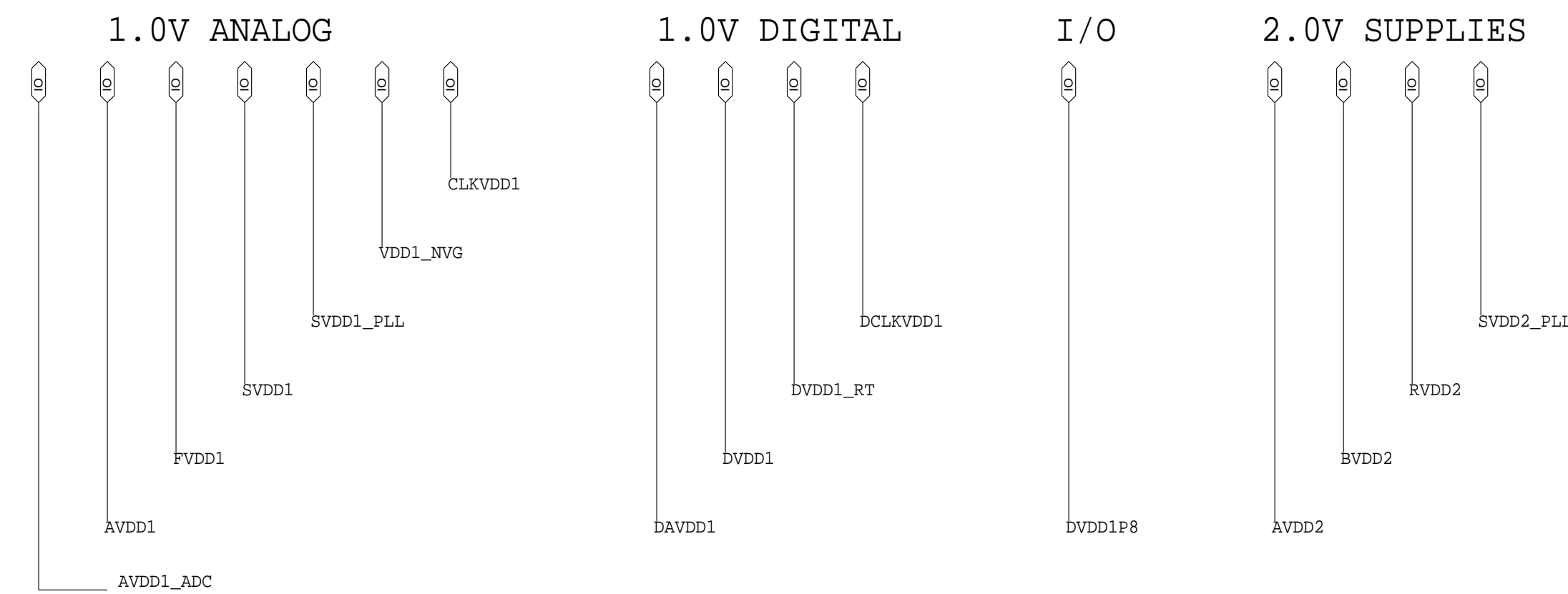
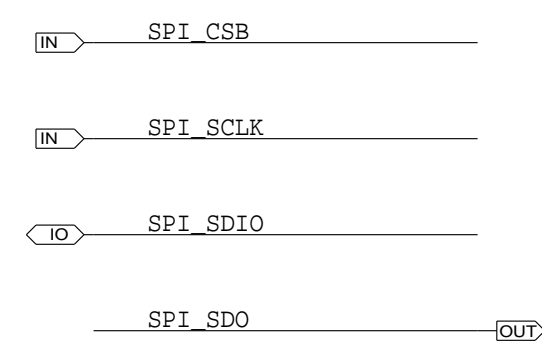
CLOCKS IN



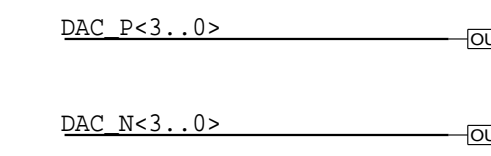
RESET/ENABLE



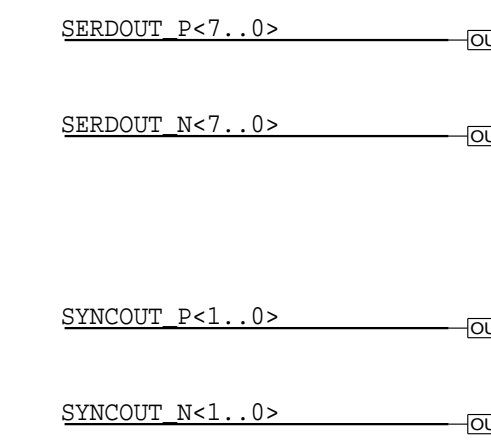
SPI



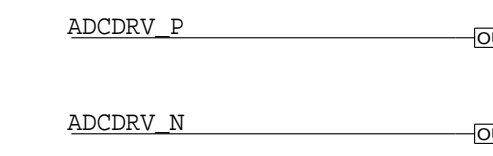
DAC



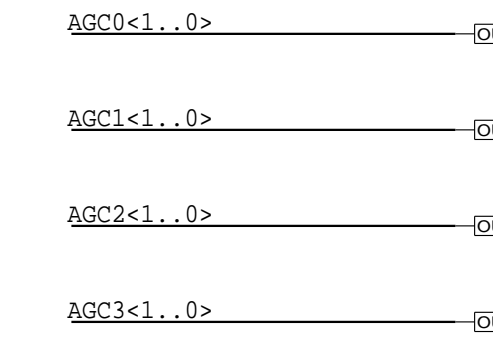
SERDES OUT



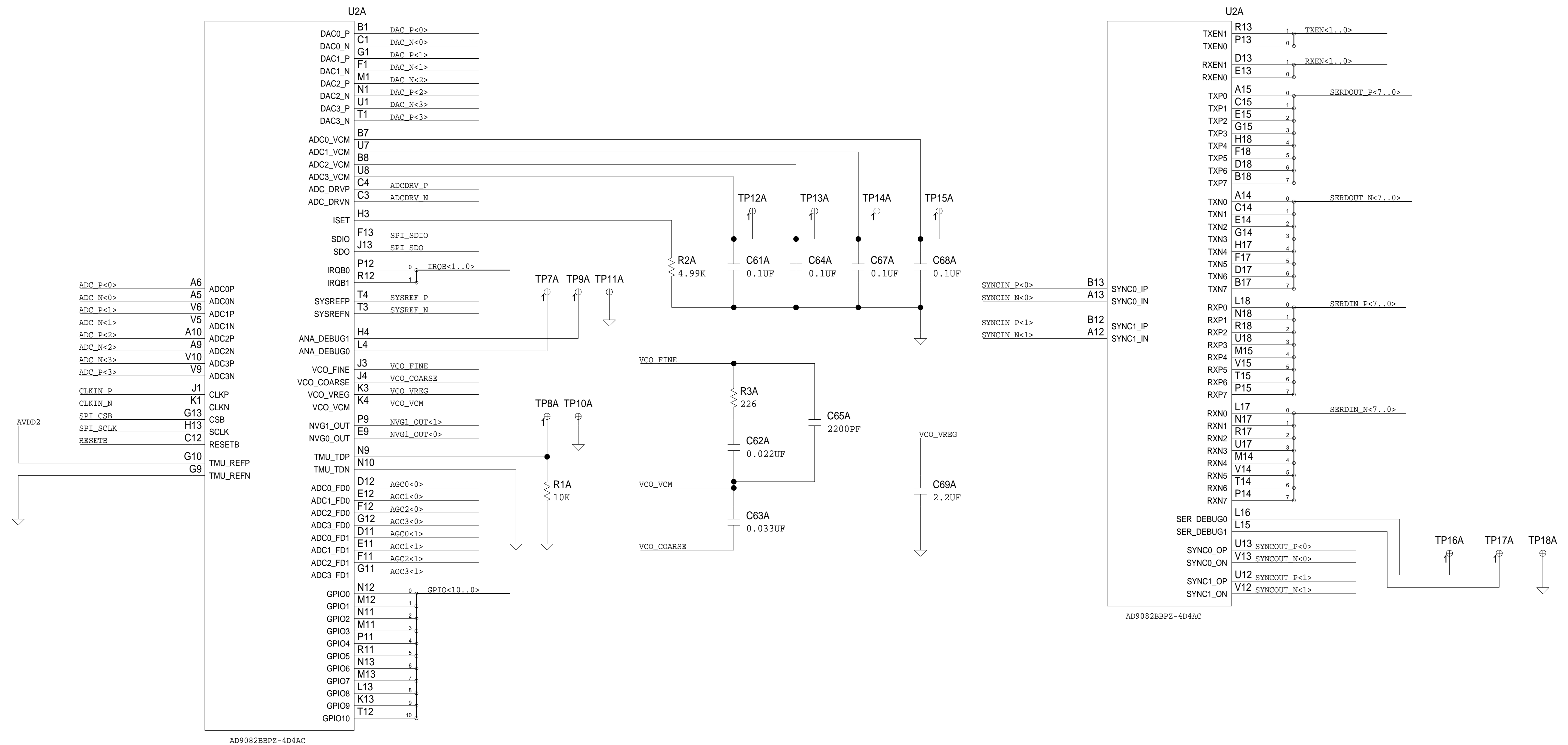
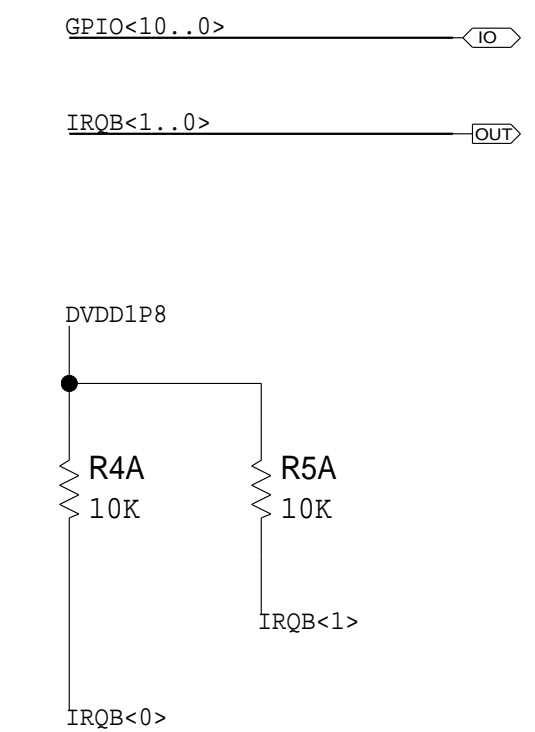
ADC CLOCK OUT



ADC FAST DET



GPIO/IRQ



	SCHEMATIC		
	HW TYPE : Customer Evaluation Product(s) : MxFE : AD9082BBPZ-4D2AC		
DESIGN VIEW <DESIGN_VIEW>	DRAWING NO. 02_049648	REV J	
PTD ENGINEER D. DEBOLT	SIZE D	SCALE 1:1	SHEET 3 OF 30

DUT -- PAGE 2 OF 2 : SUPPLIES

REVISIONS			
REV	DESCRIPTION	DATE	APPROVED

D

C

B

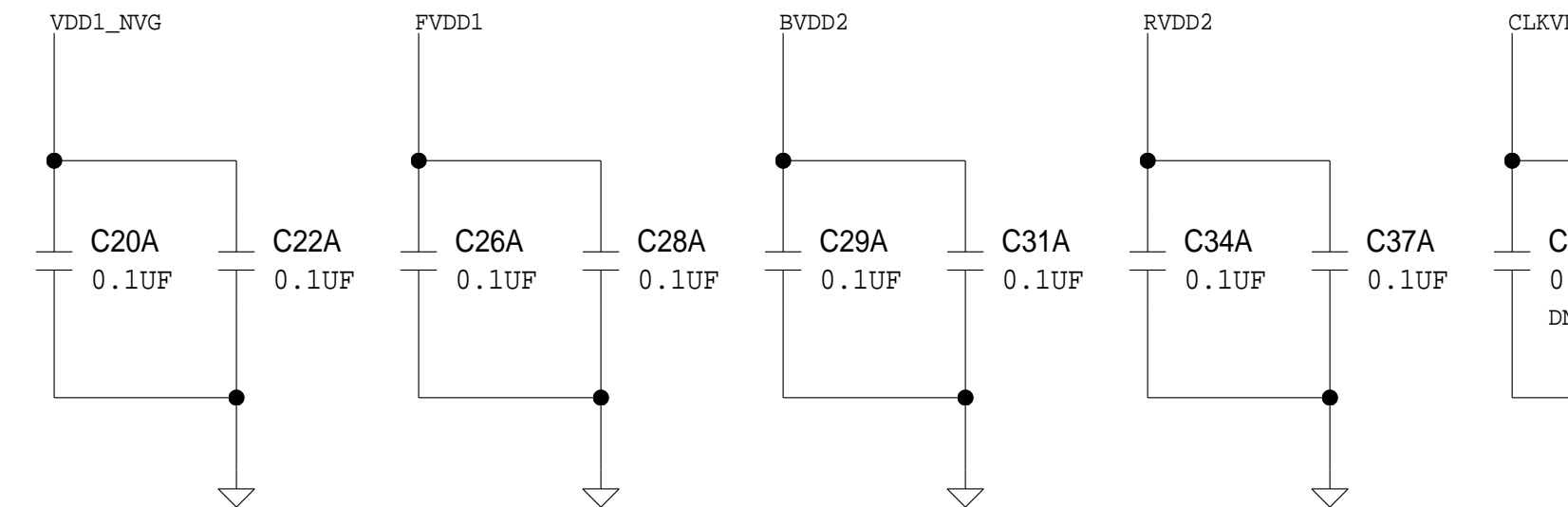
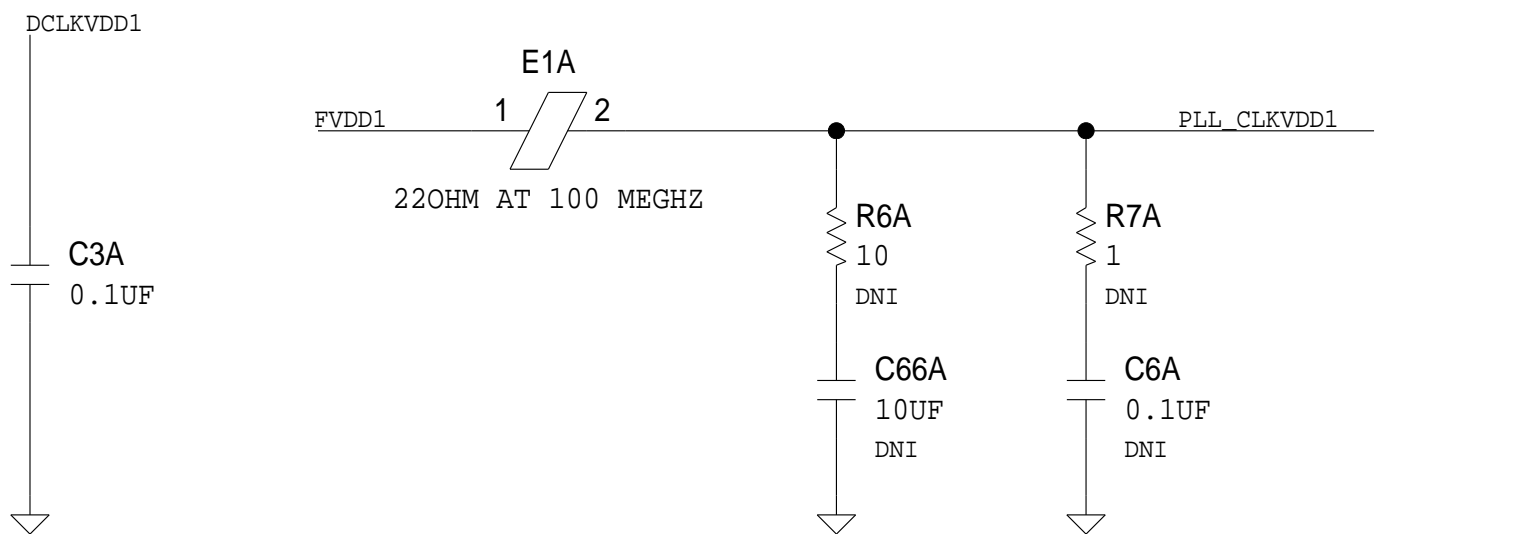
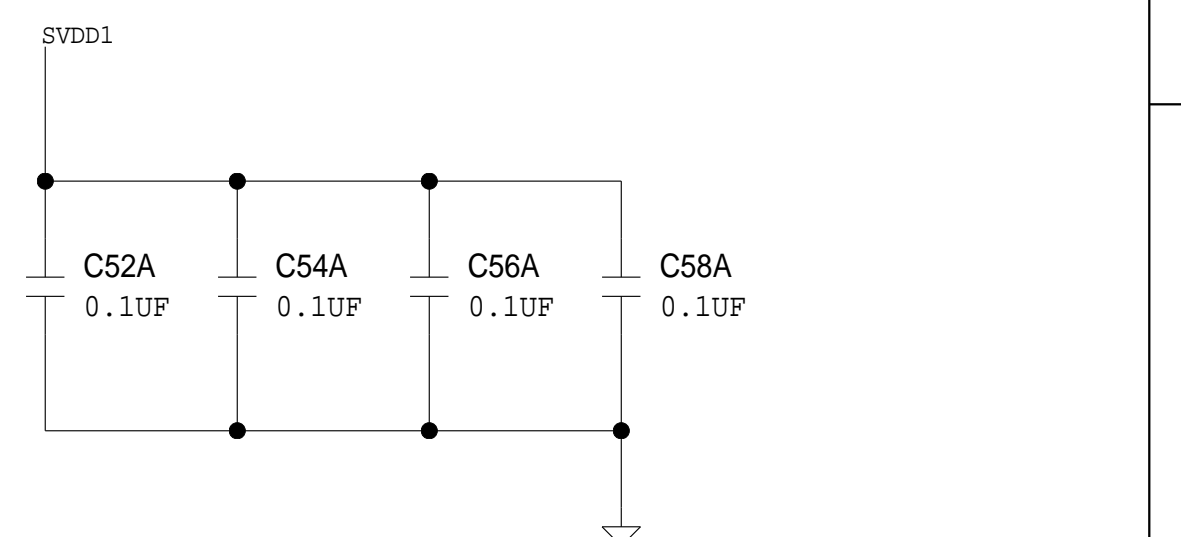
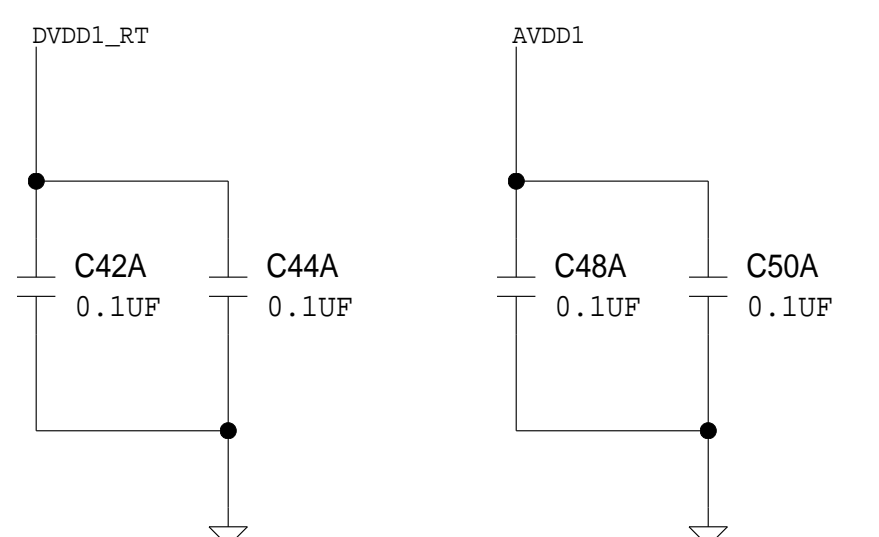
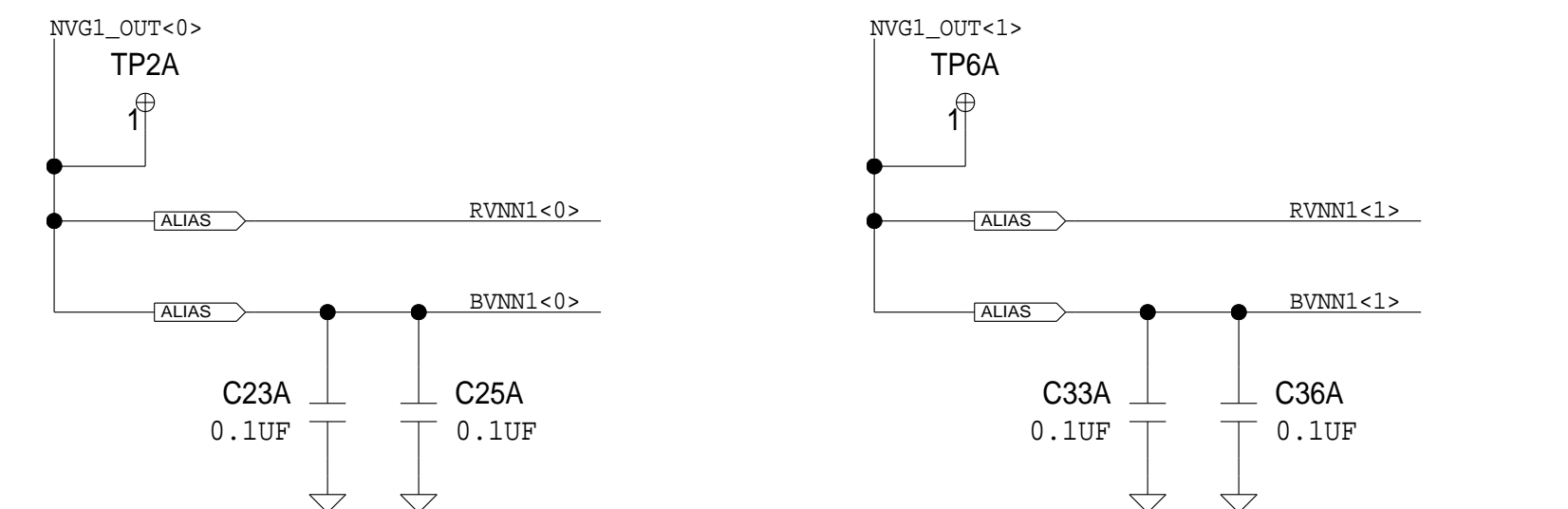
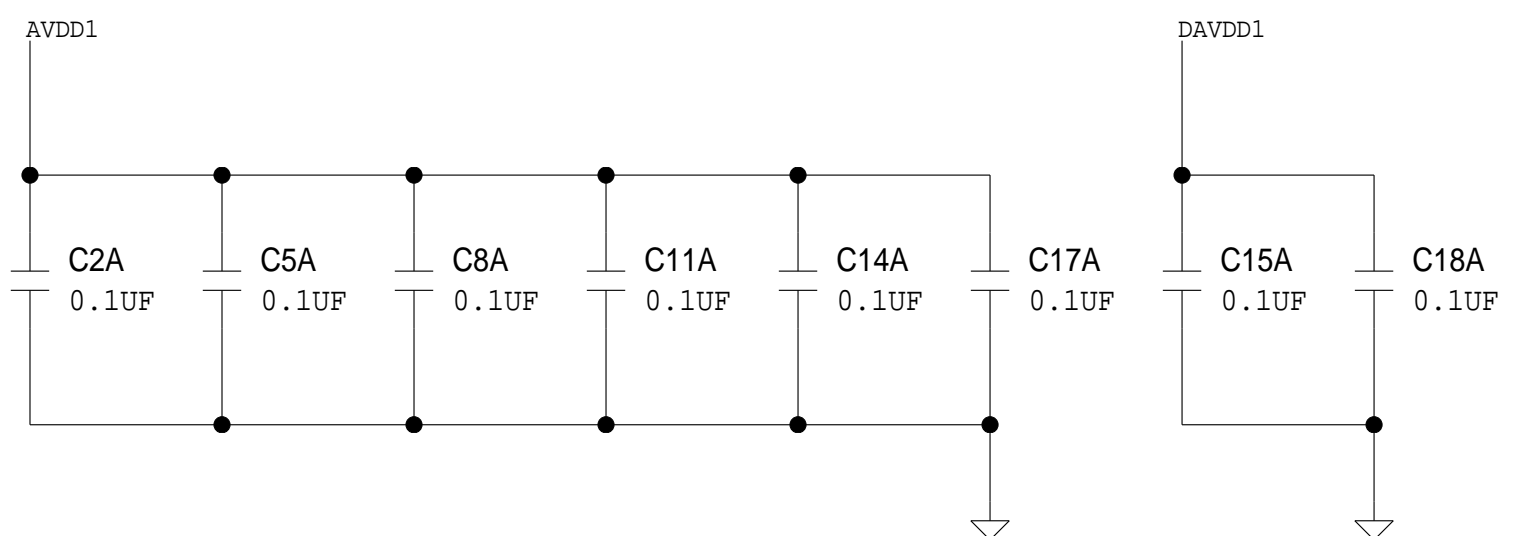
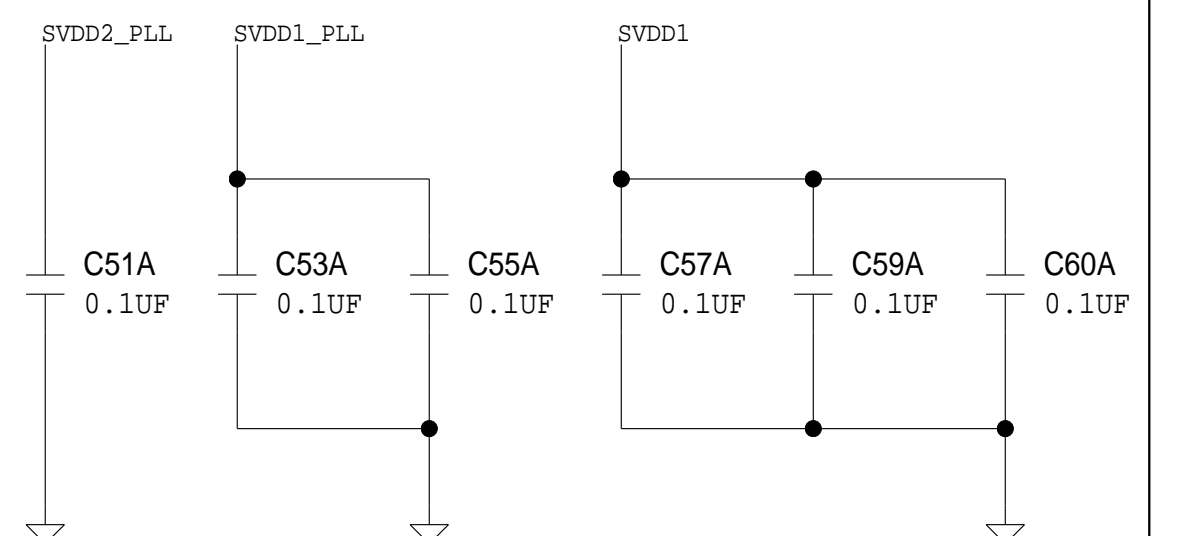
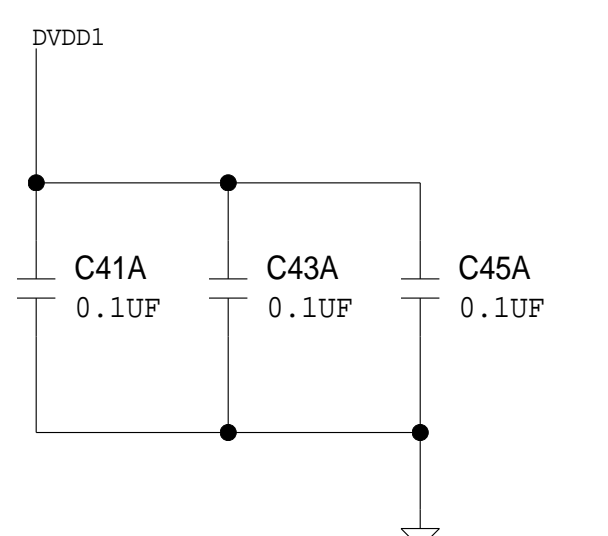
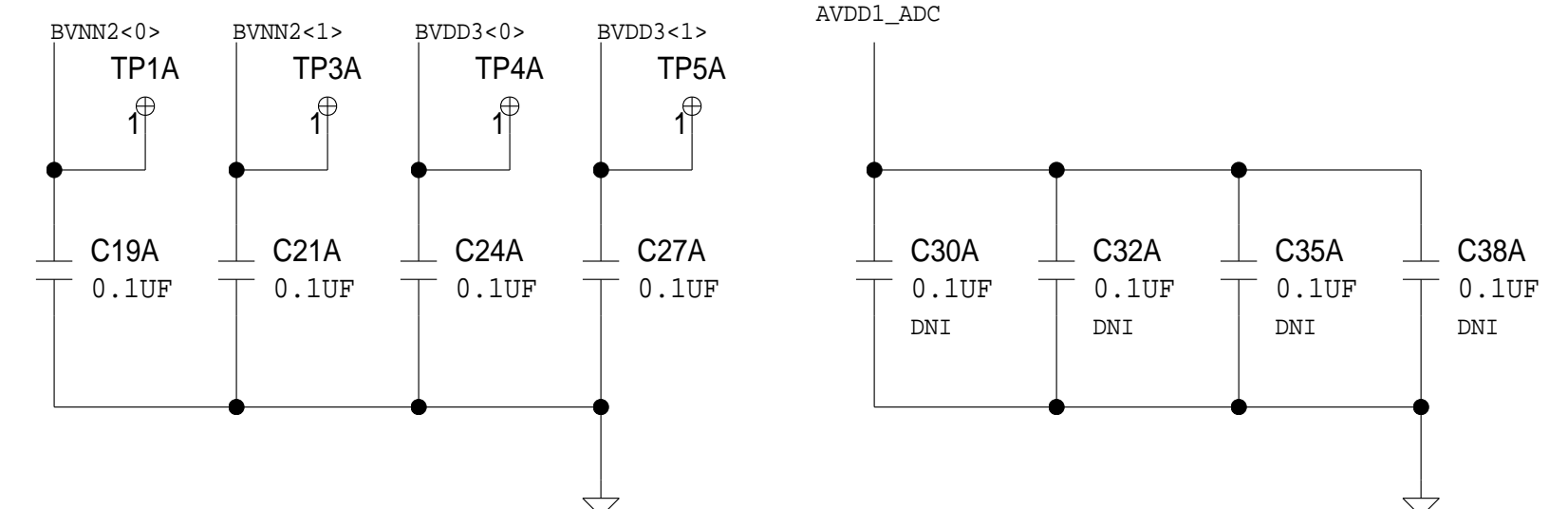
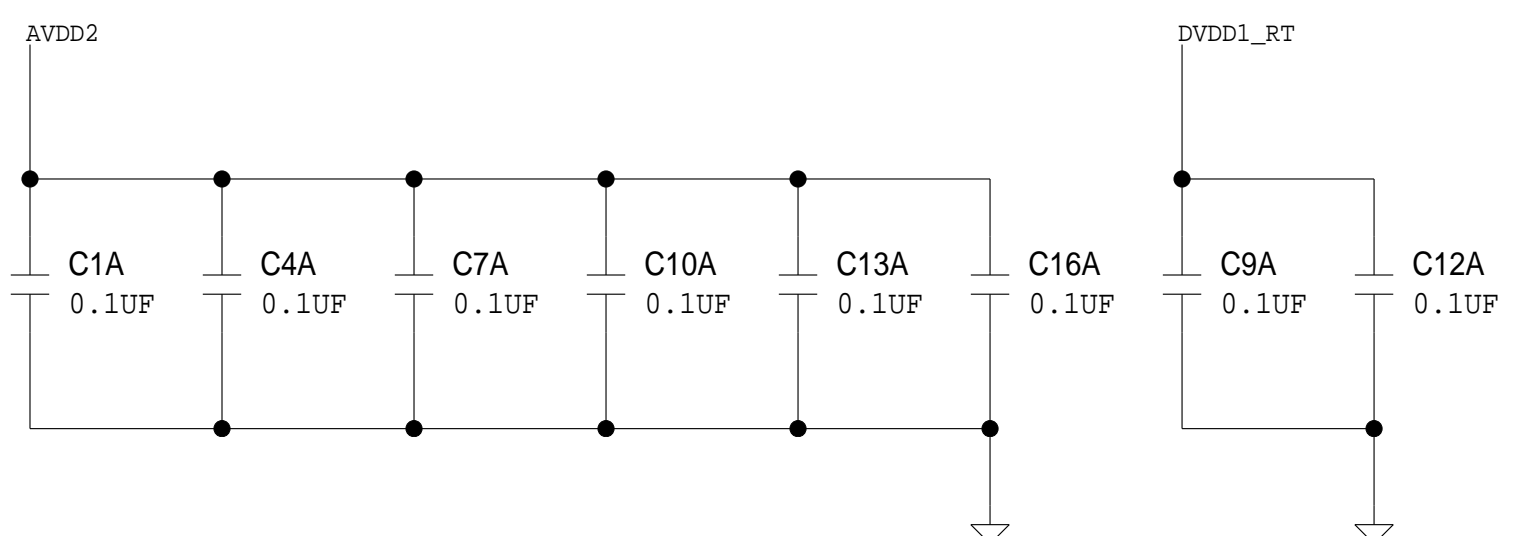
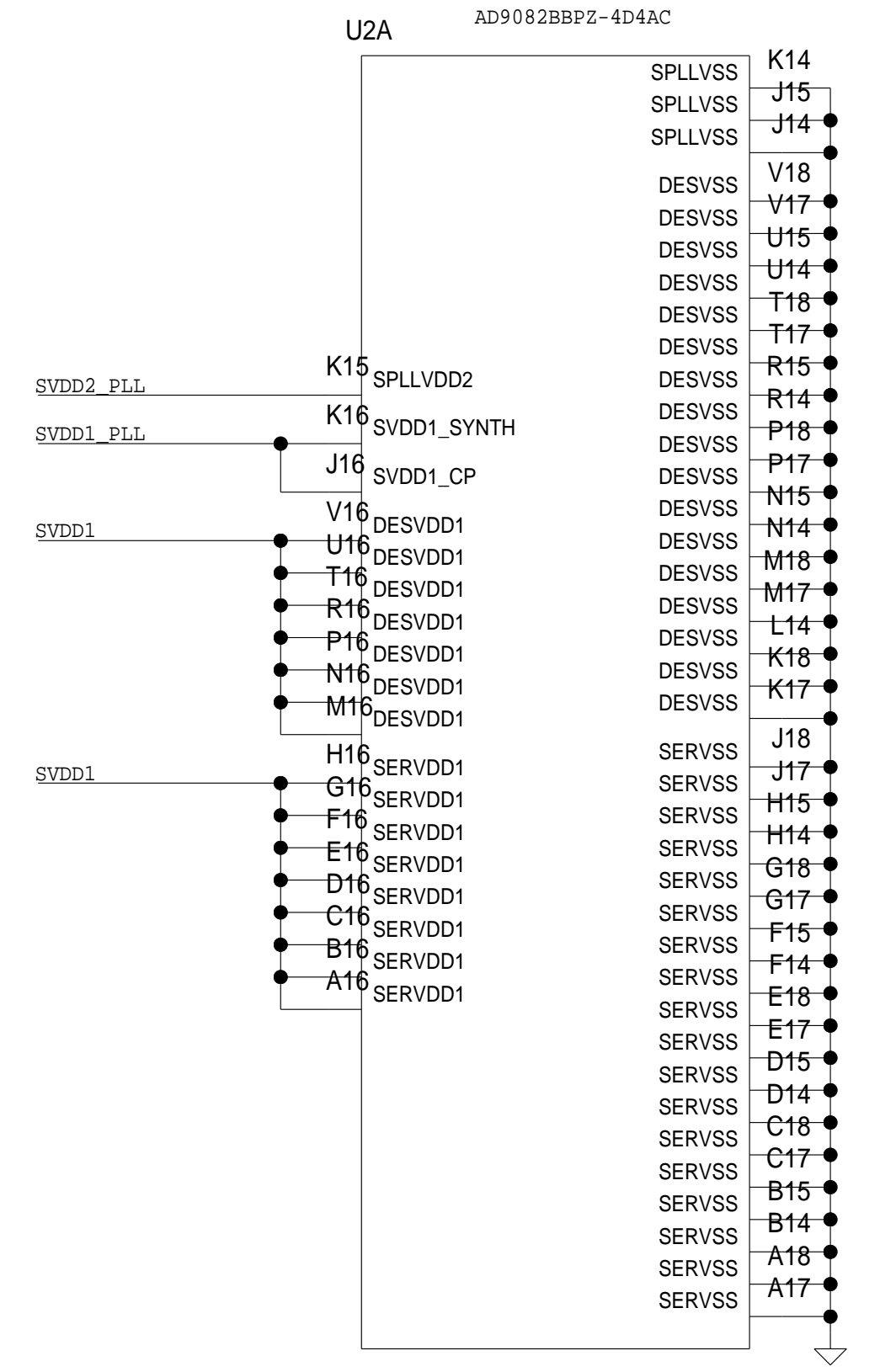
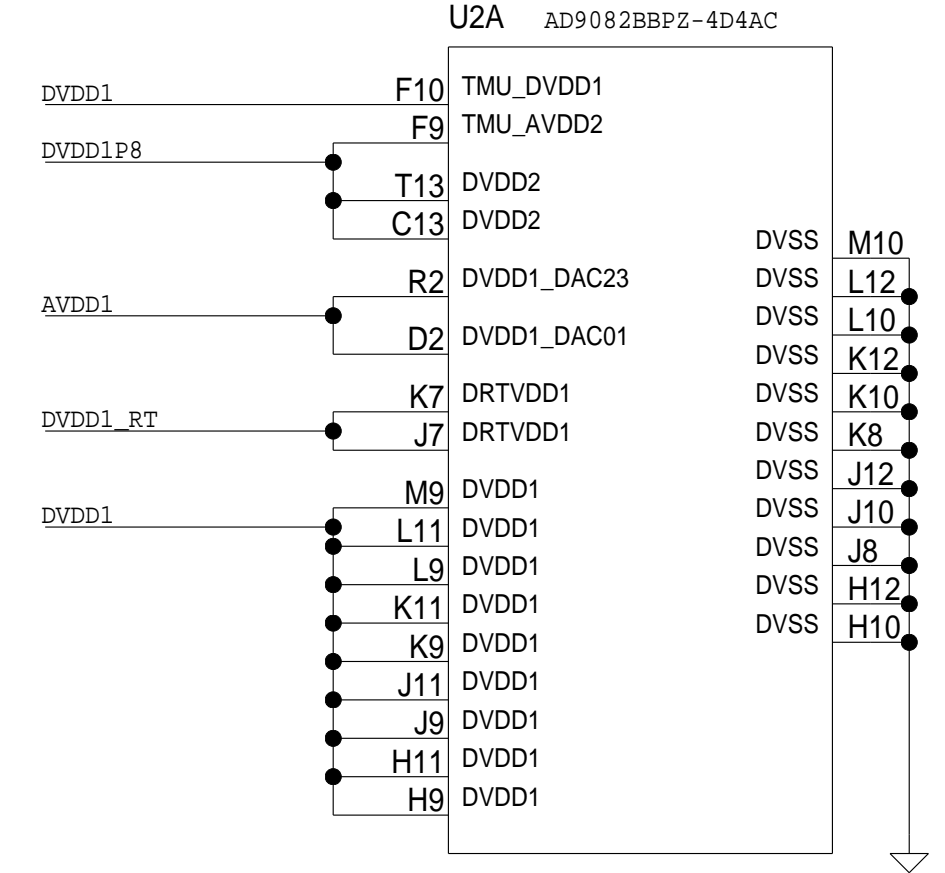
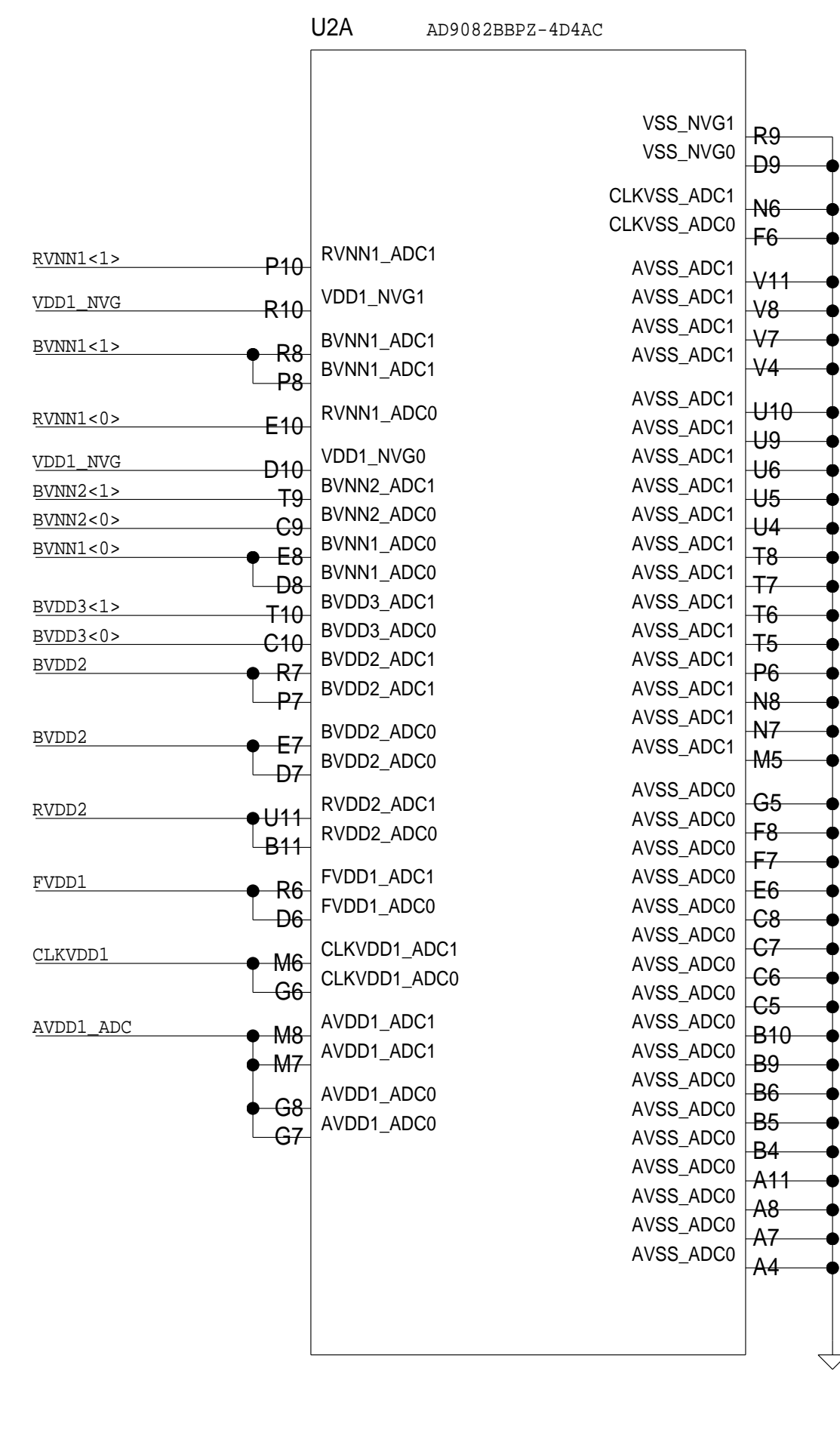
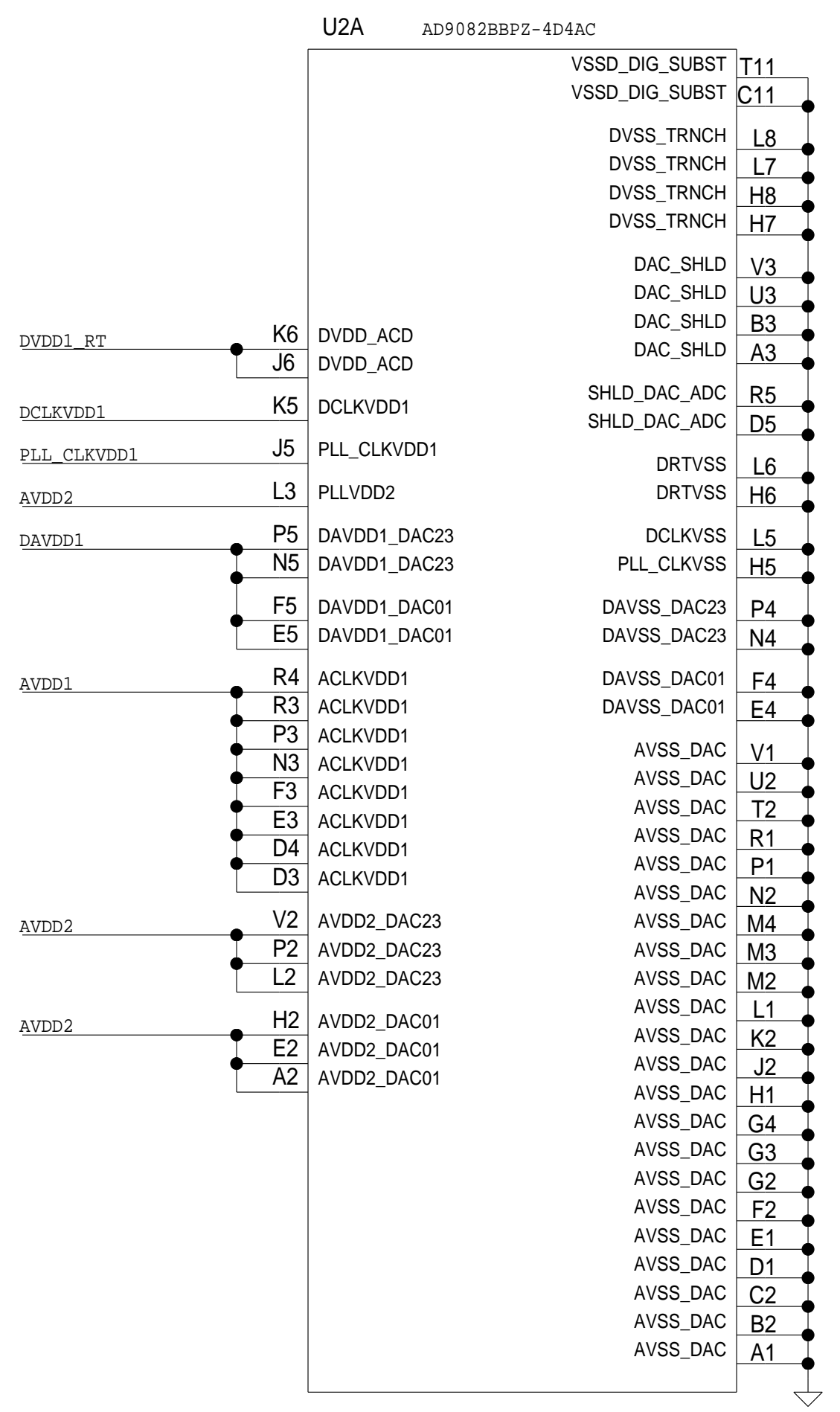
A

D

C

B

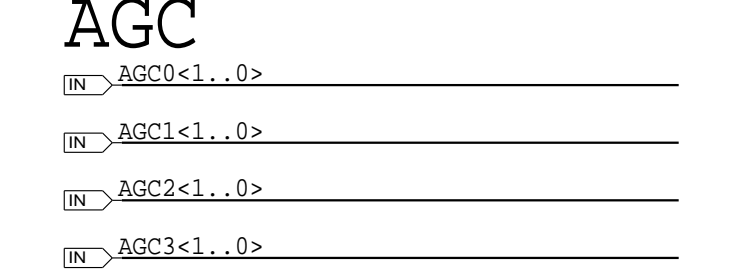
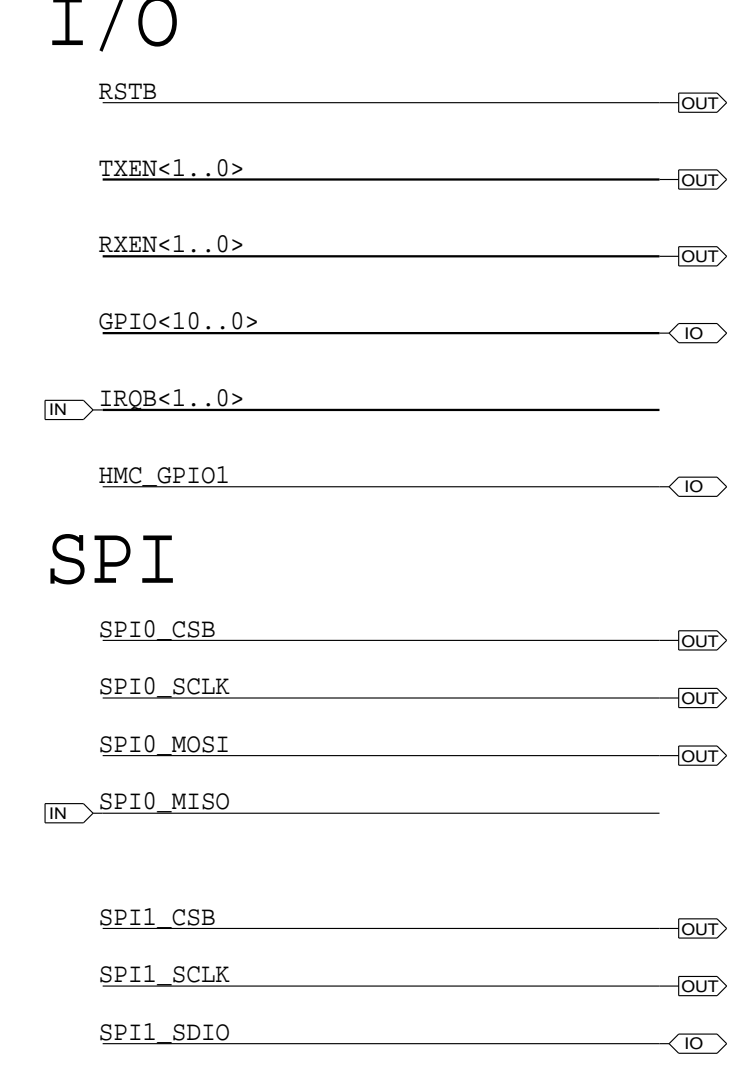
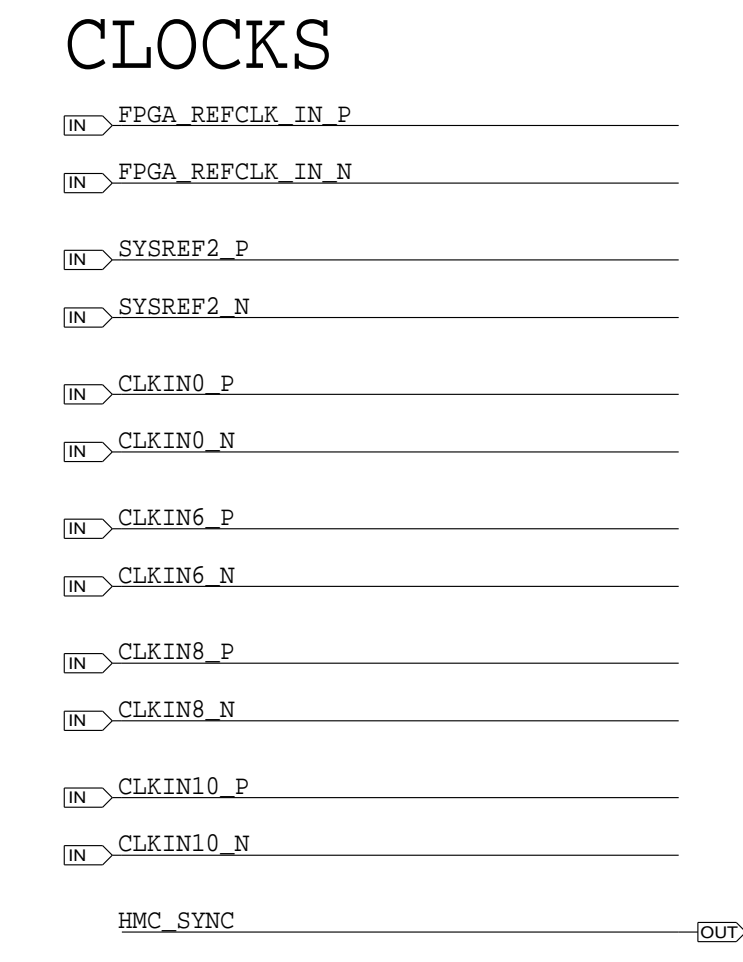
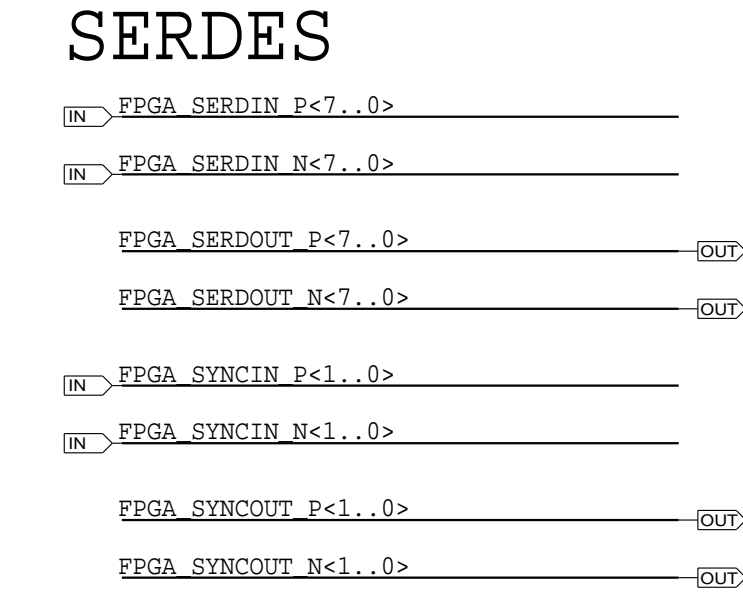
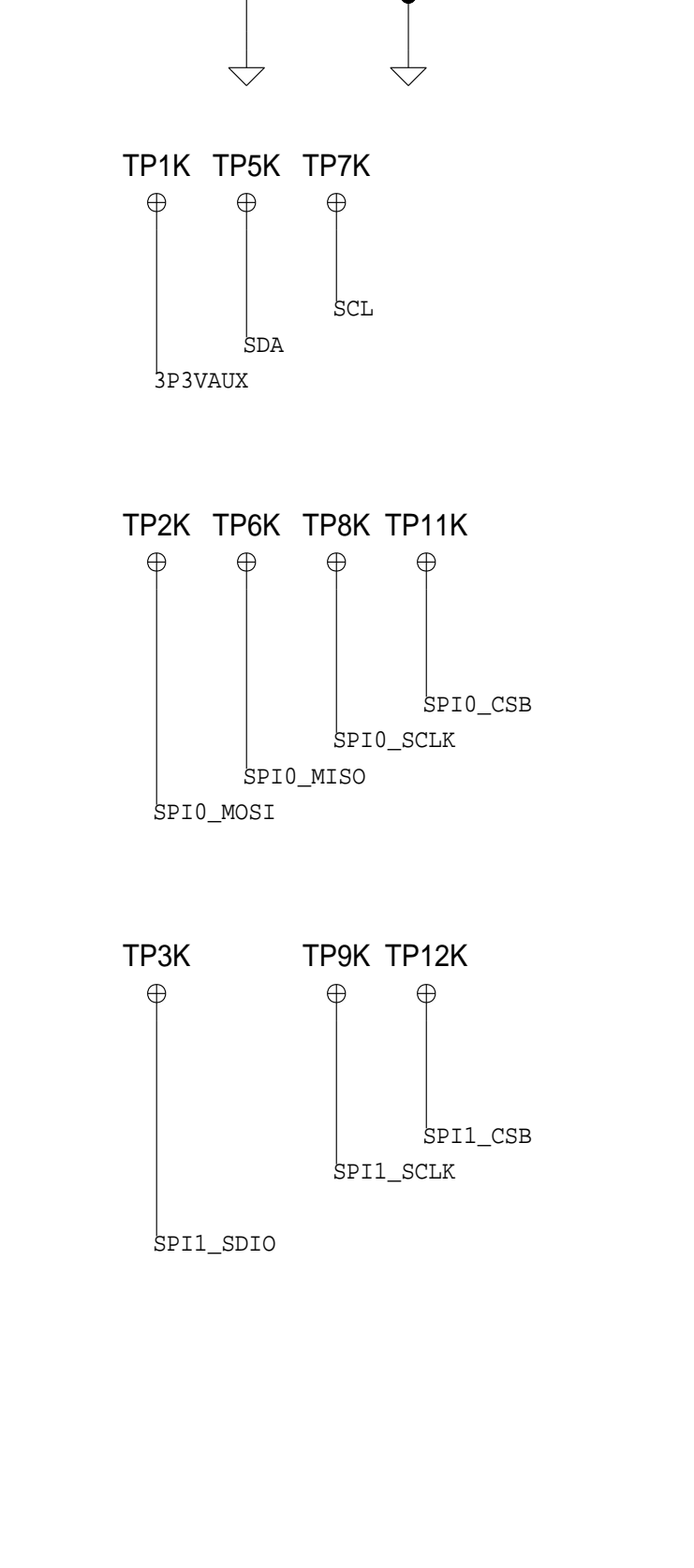
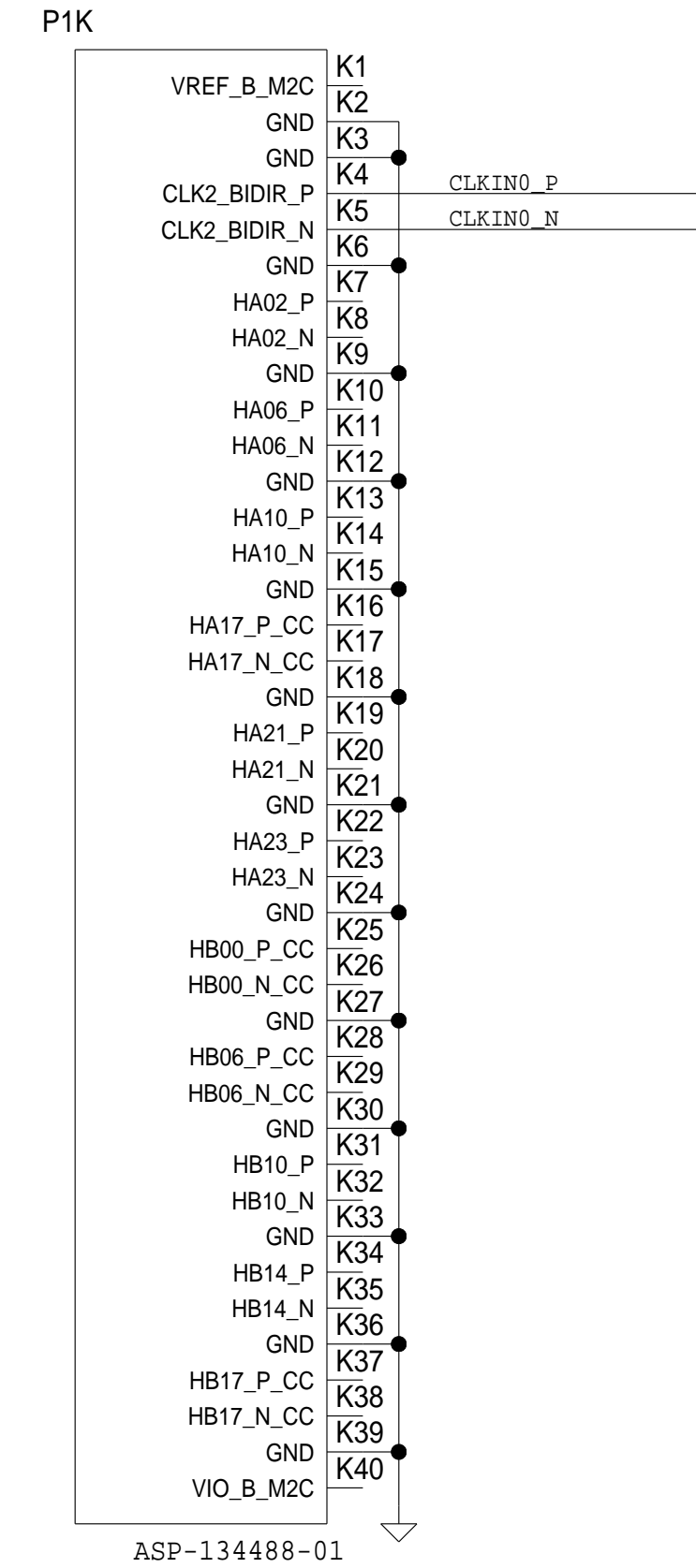
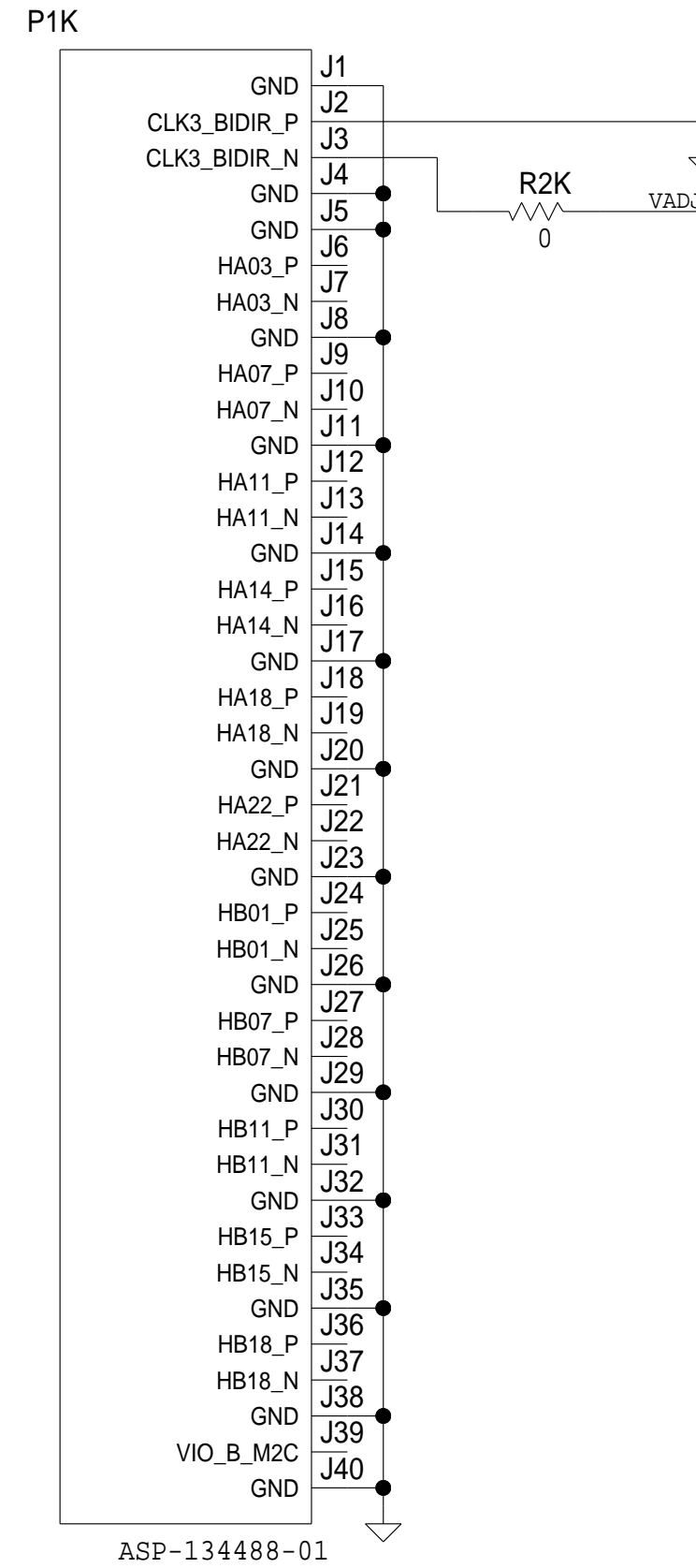
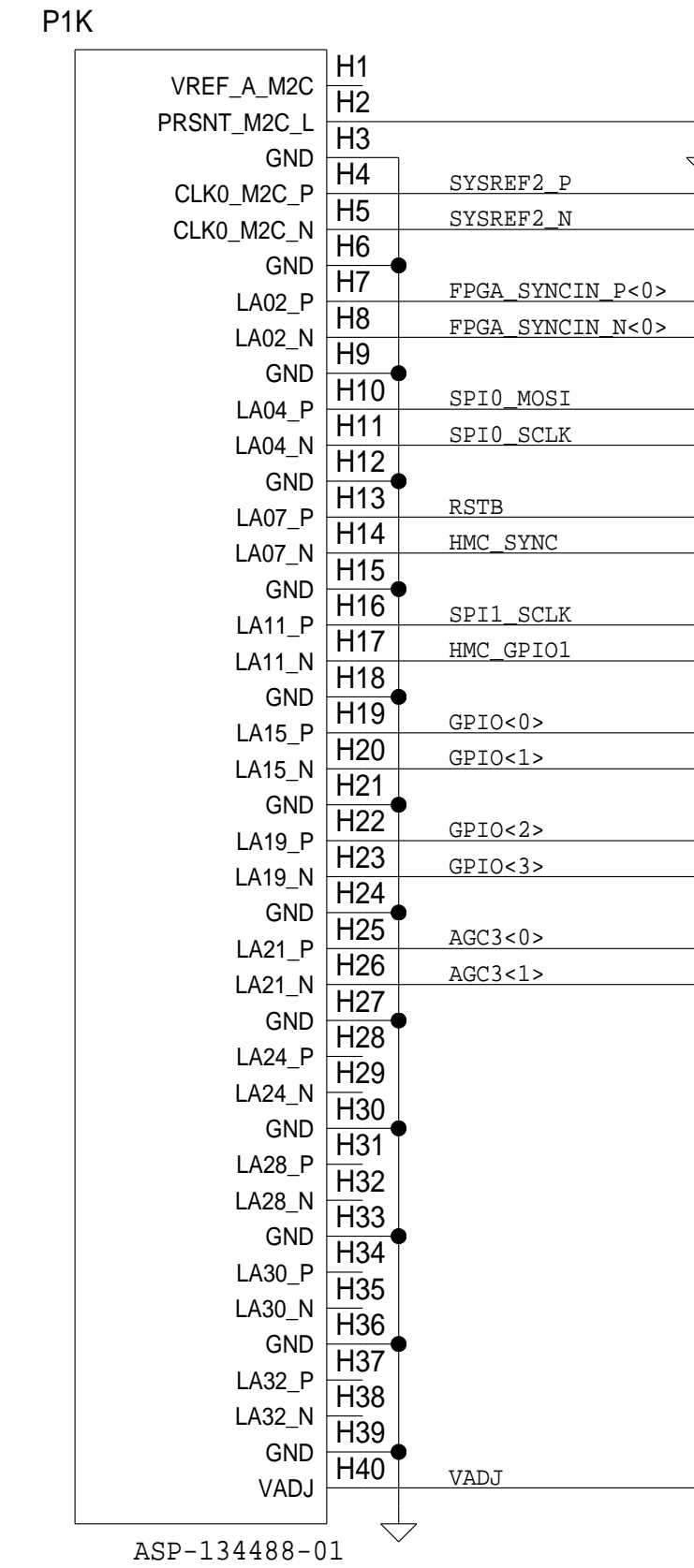
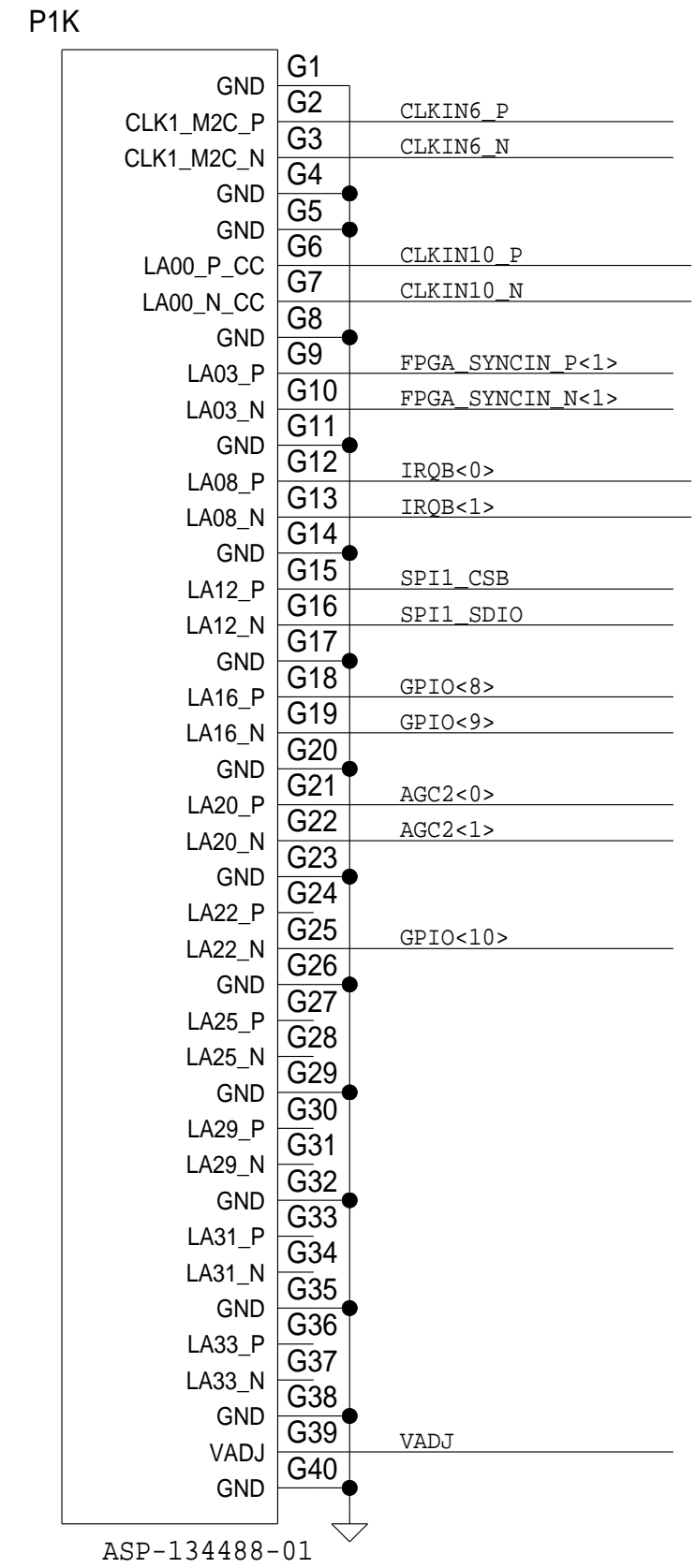
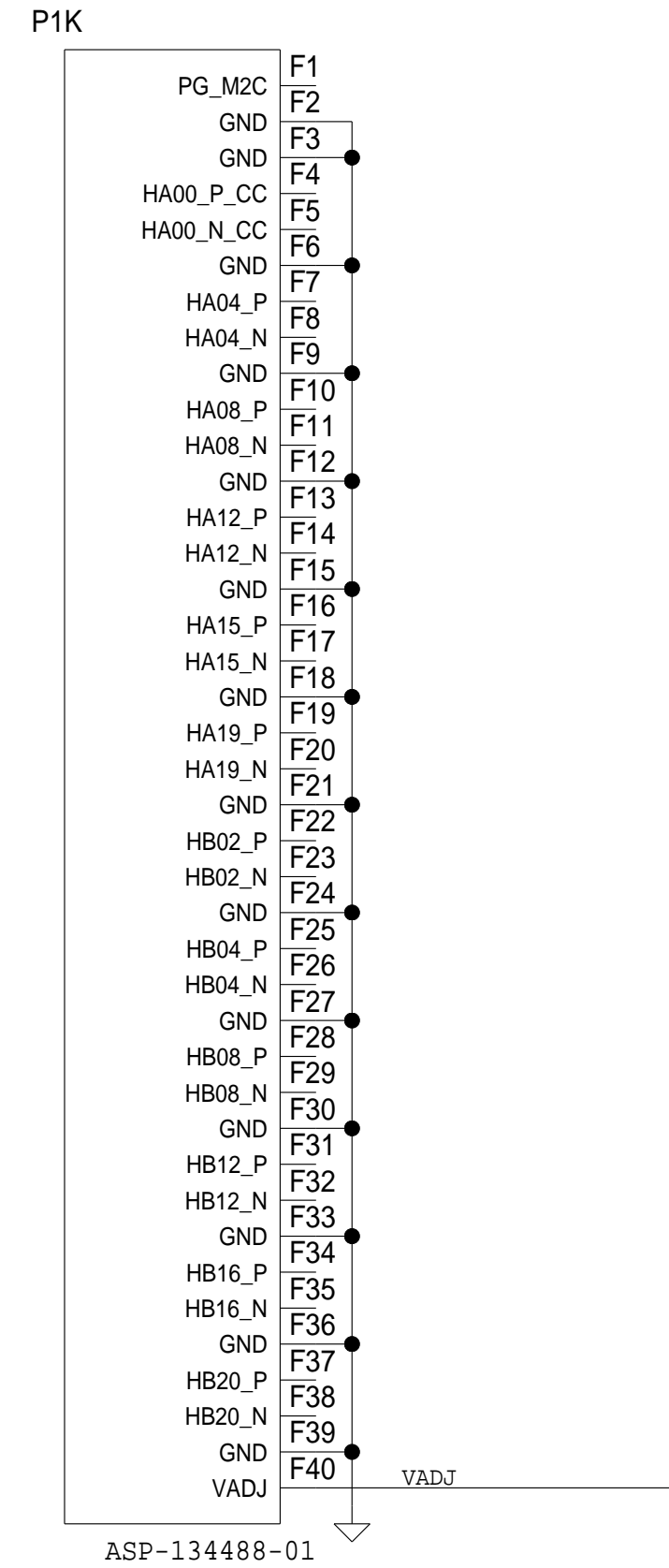
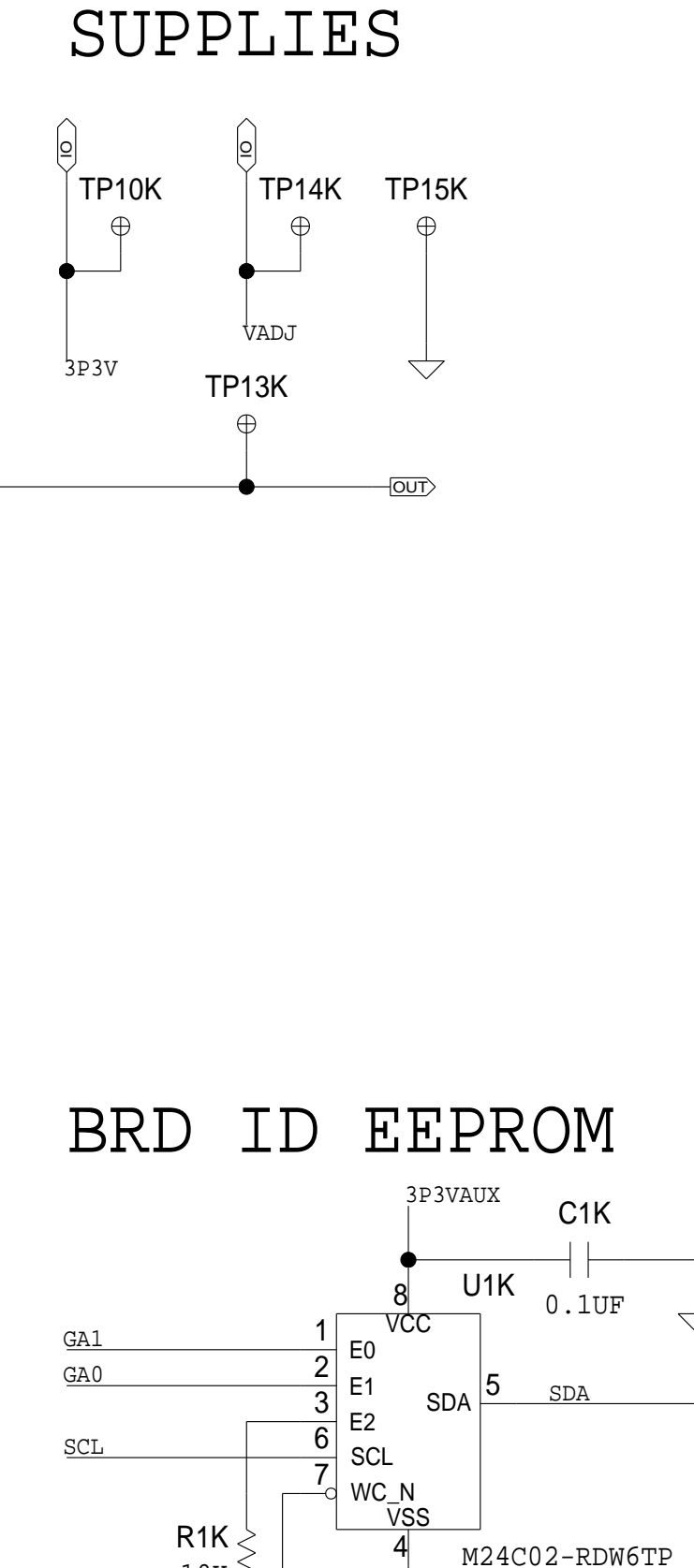
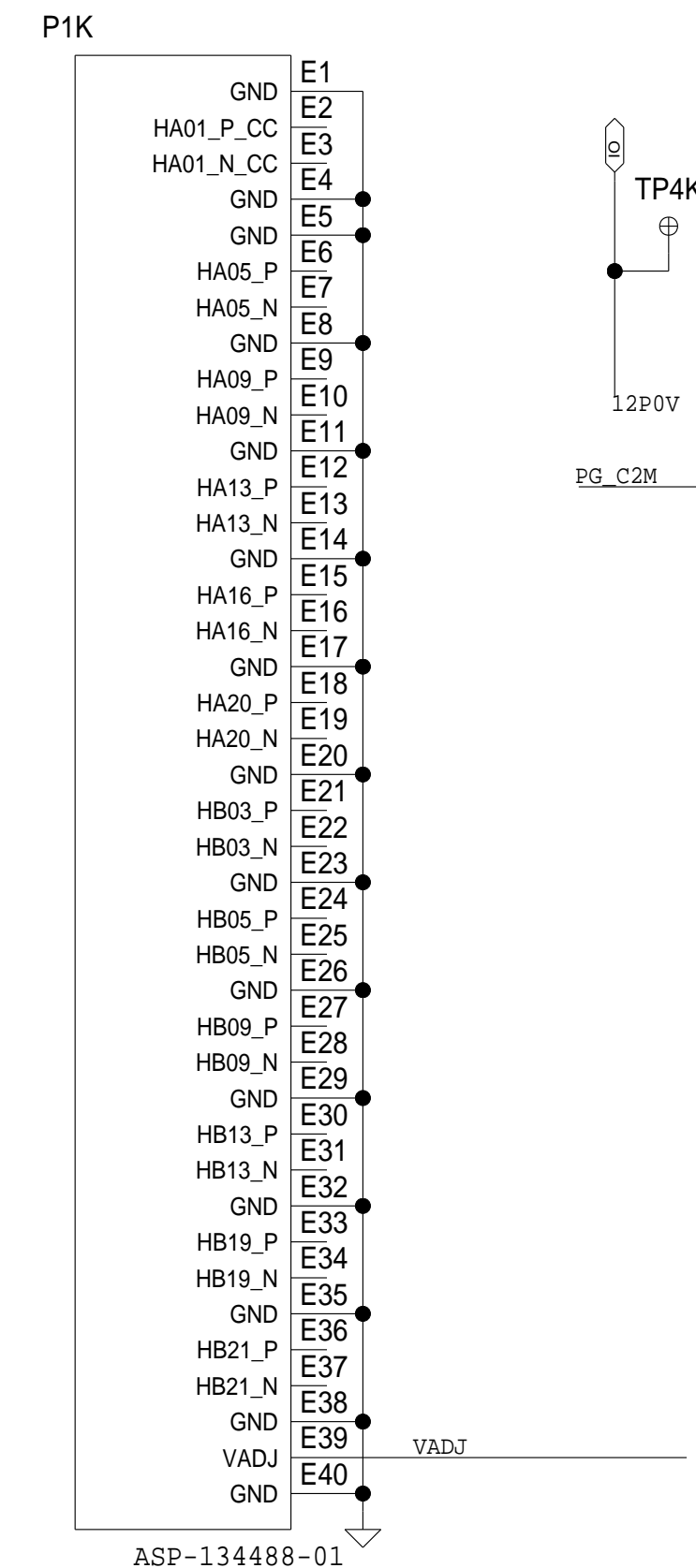
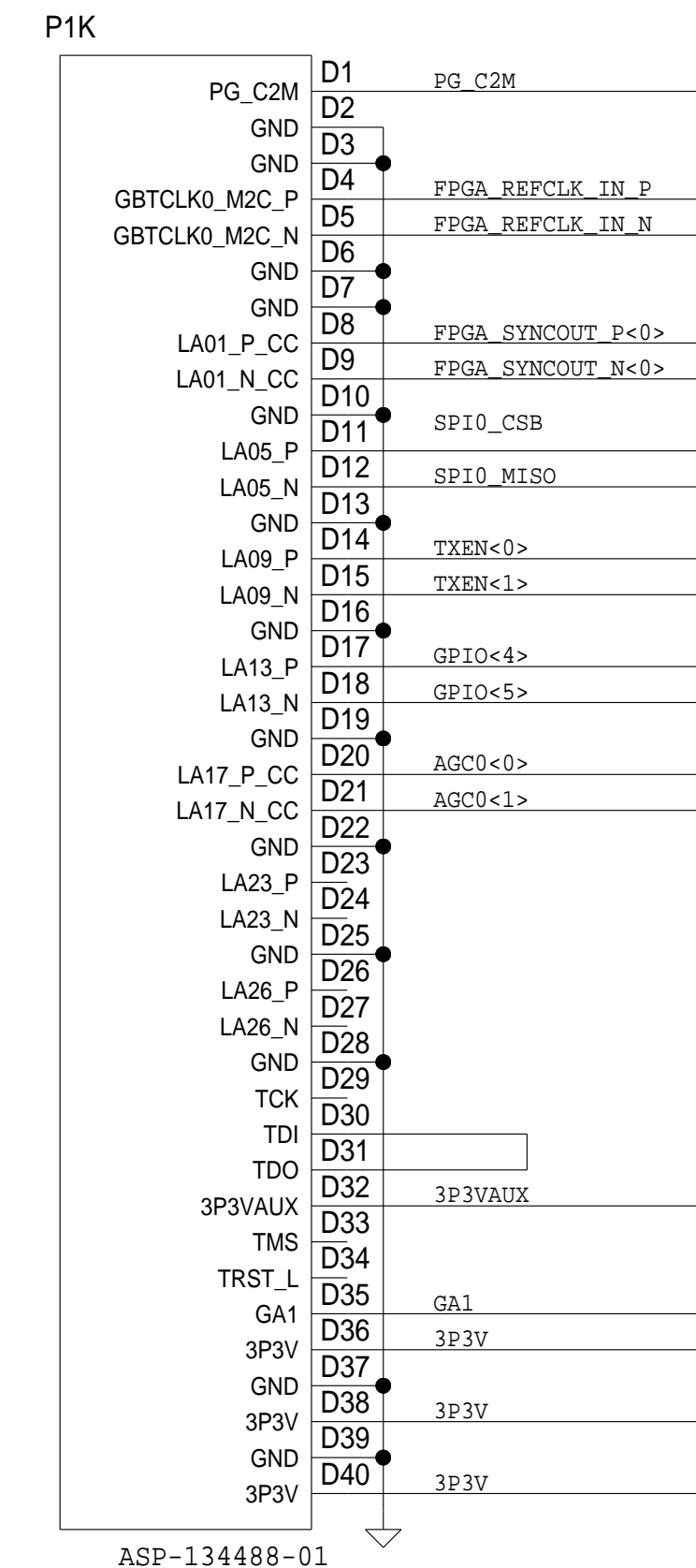
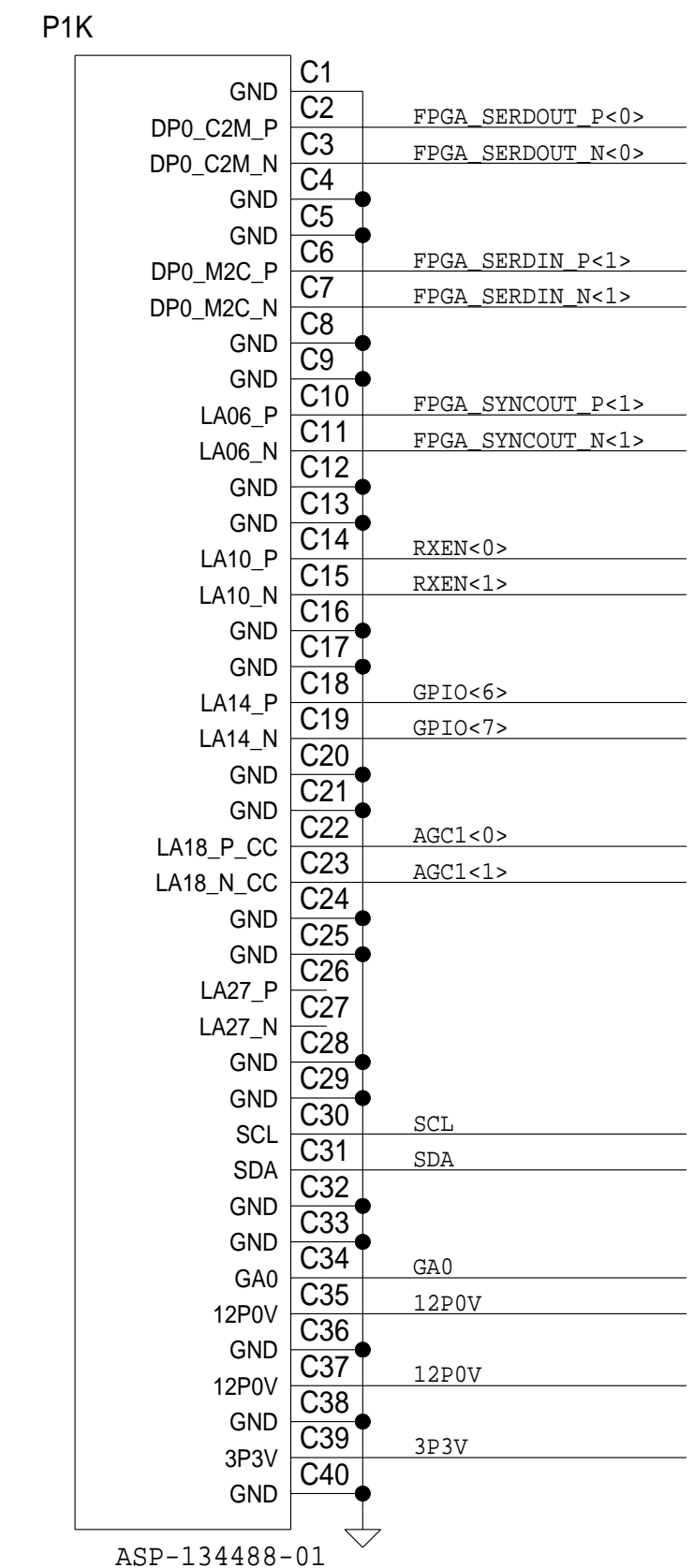
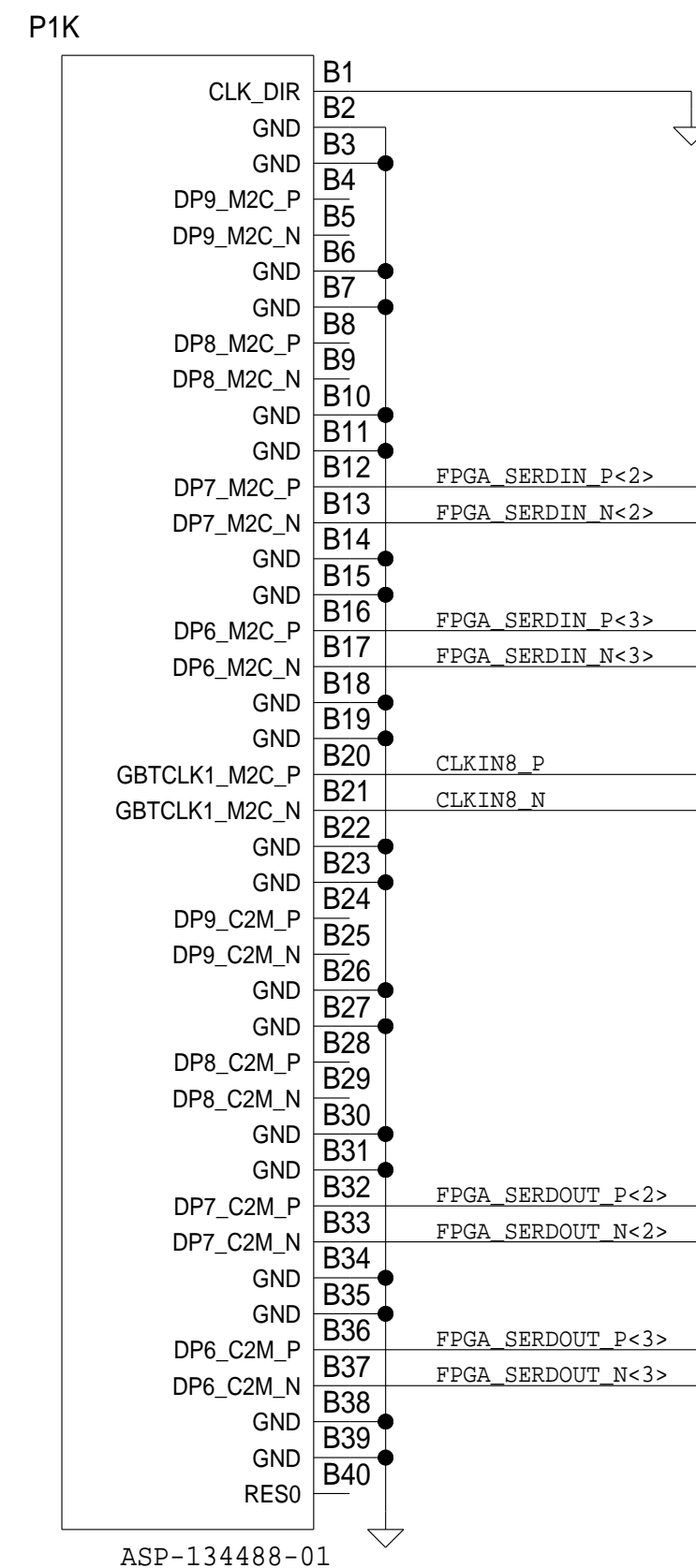
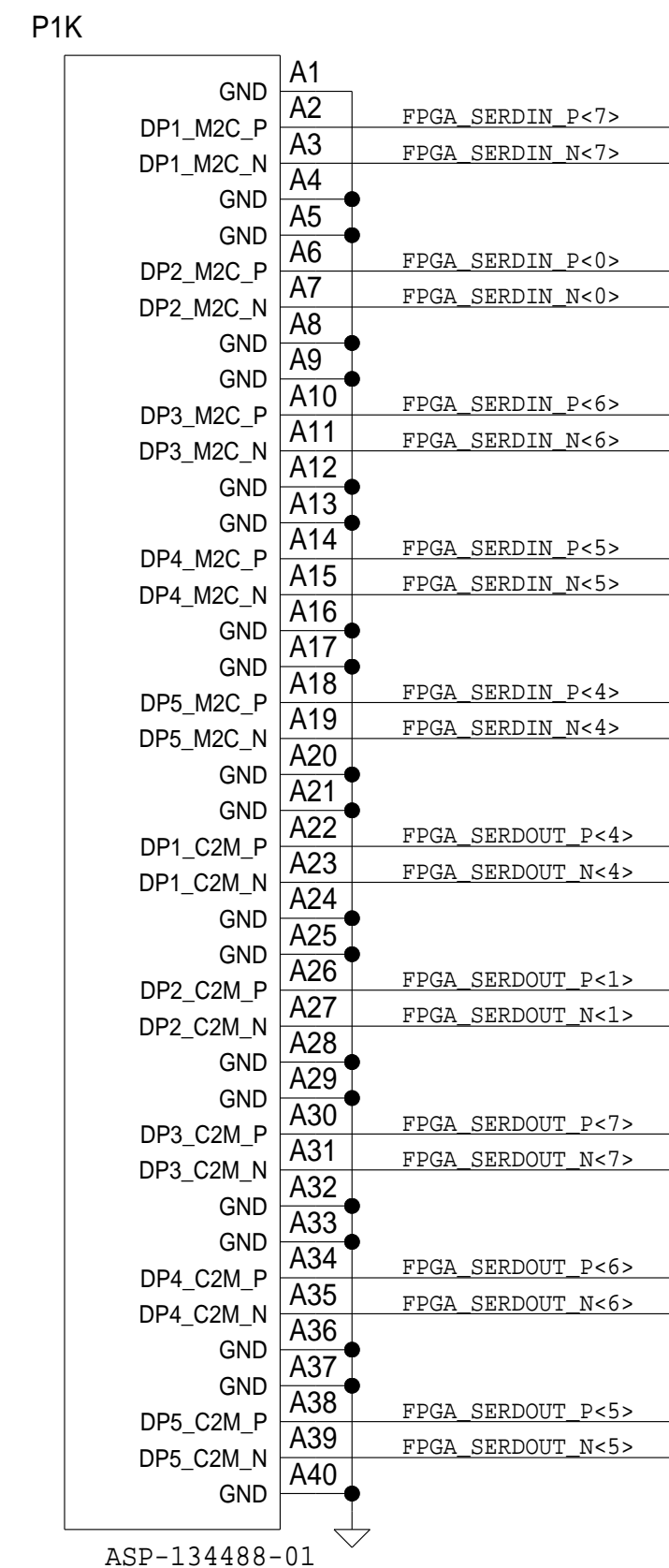
A



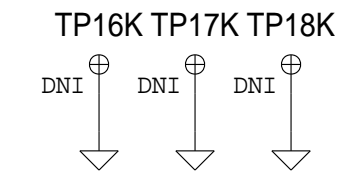
	SCHEMATIC		
	HW TYPE : Customer Evaluation Product(s) : MxFE : AD9082BBPZ-4D2AC		
	DESIGN VIEW <DESIGN_VIEW>	DRAWING NO. 02_049648	REV J
	PTD ENGINEER D. DEBOLT	SIZE D	SCALE 1:1
		SHEET 4 OF 30	

FMC CONNECTOR -- PAGE 1 OF 1

REVISIONS			
REV	DESCRIPTION	DATE	APPROVED



GROUNDING FMC MOUNTING HOLES

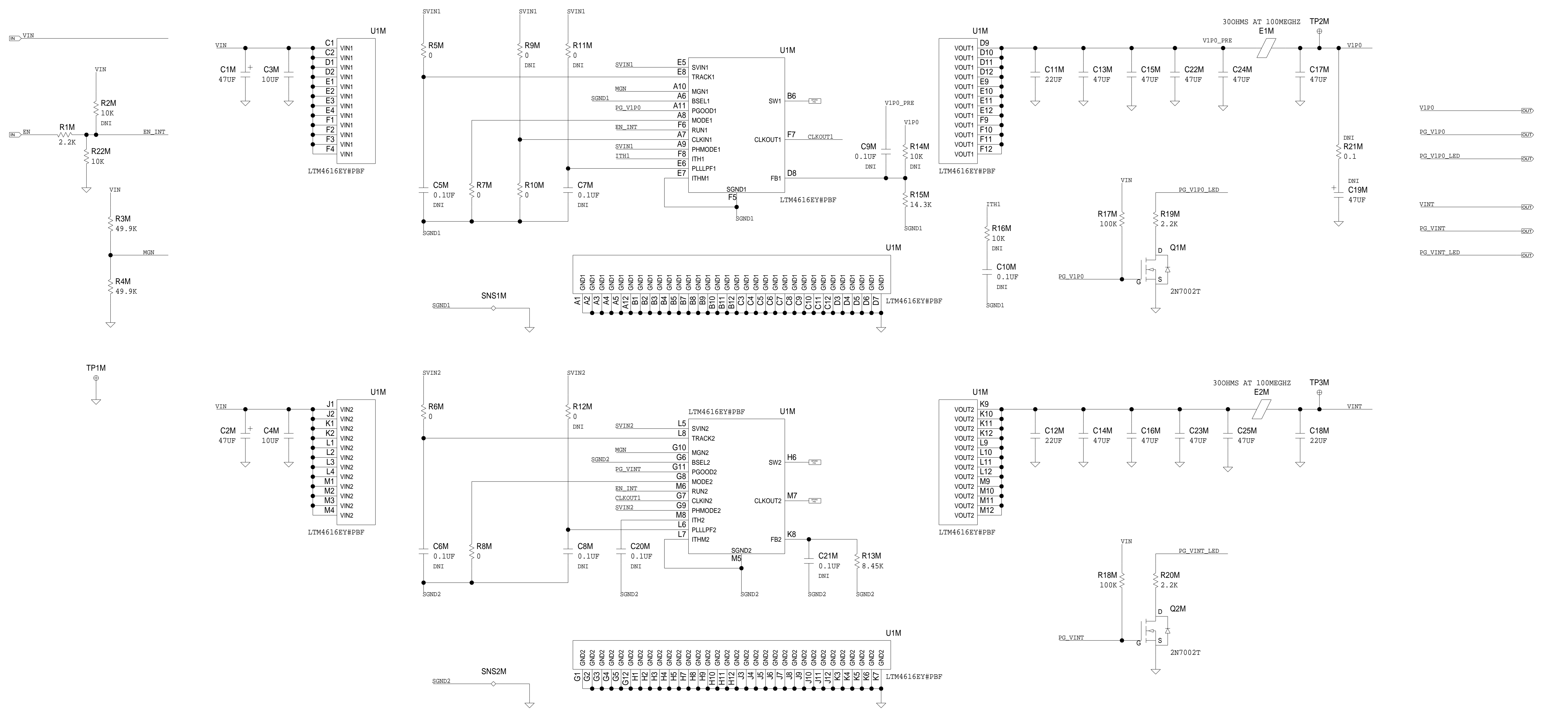


SCHEMATIC			
ANALOG DEVICES		HW TYPE : Customer Evaluation Product(s) : MxFE : AD9082BBPZ-4D2AC	
DESIGN VIEW <DESIGN_VIEW>	DRAWING NO. 02_049648	REV J	
PTD ENGINEER D. DEBOLT	SIZE D	SCALE 1:1	SHEET 5 OF 30

THIS DRAWING IS THE PROPERTY OF ANALOG DEVICES INC. IT IS NOT TO BE REPRODUCED OR COPIED, IN WHOLE OR IN PART, OR USED IN ANY MANNER THAT IS DETRIMENTAL TO THE INTERESTS OF ANALOG DEVICES. THE EQUIPMENT SHOWN HEREON MAY BE PROTECTED BY PATENTS OWNED OR CONTROLLED BY ANALOG DEVICES.

BUCK 3P3V -- PAGE 1 OF 1

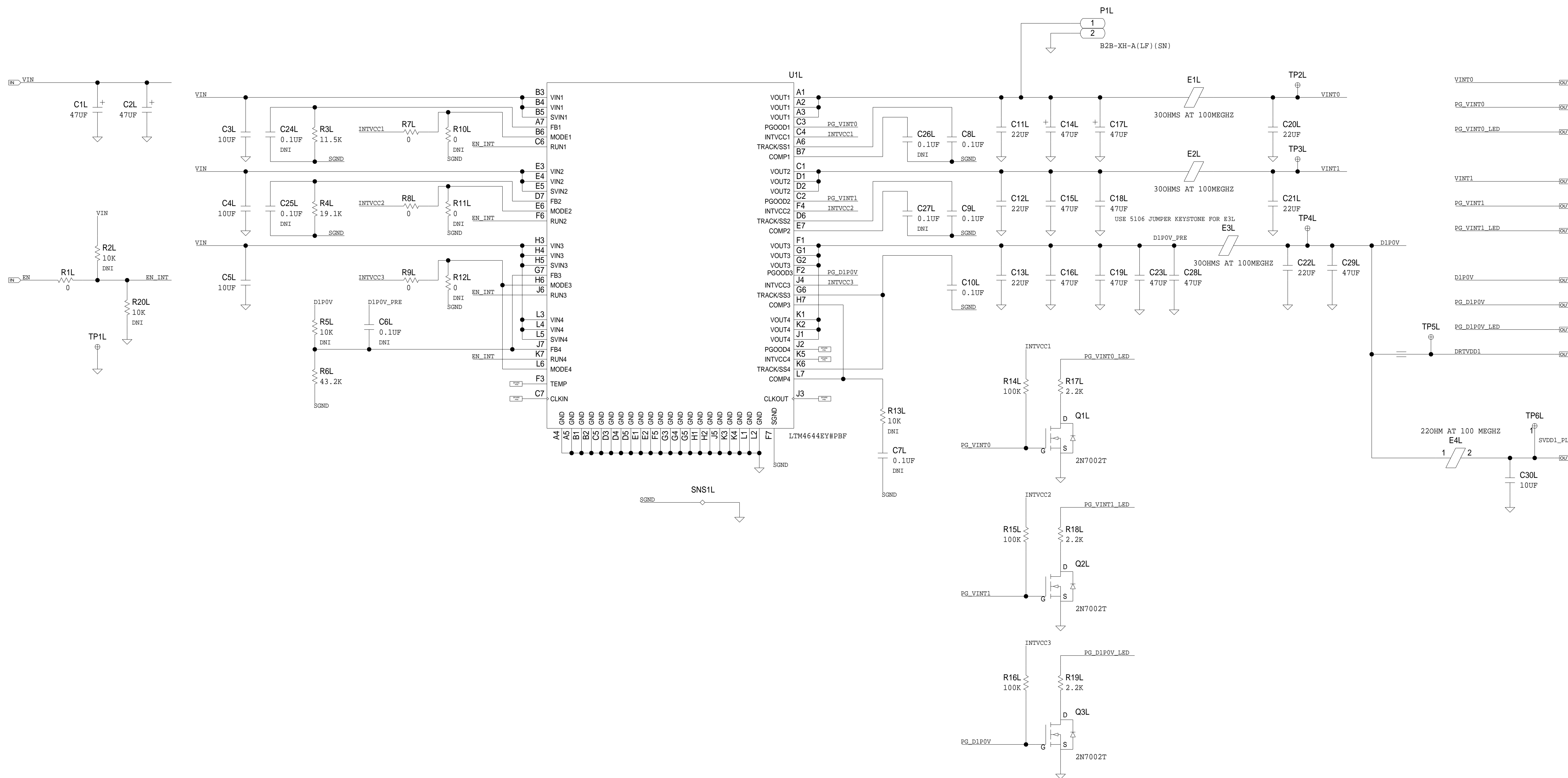
REVISIONS			
REV	DESCRIPTION	DATE	APPROVED



	SCHEMATIC		
	HW TYPE : Customer Evaluation Product(s) : MxFE : AD9082BBPZ-4D2AC		
	DESIGN VIEW <DESIGN_VIEW>	DRAWING NO. 02_049648	REV J
	PTD ENGINEER D. DEBOLT	SIZE D	SCALE 1:1
SHEET 6 OF 30			

BUCK 12P0V -- PAGE 1 OF 1

REVISIONS			
REV	DESCRIPTION	DATE	APPROVED

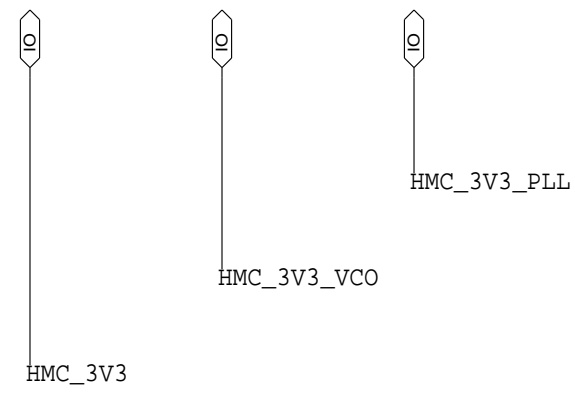


ANALOG DEVICES			
Schematic			
HW TYPE : Customer Evaluation			
Product(s) : MxFE			
: AD9082BBPZ-4D2AC			
DESIGN VIEW	DRAWING NO.	REV	
<DESIGN_VIEW>	02_049648	J	
PTD ENGINEER	SIZE	SCALE	SHEET
D. DEBOLT	D	1:1	7 OF 30

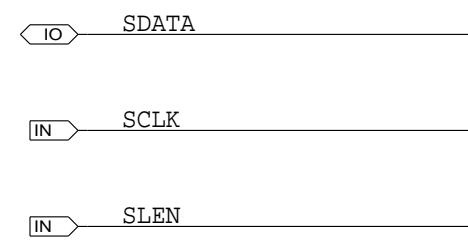
CLOCK GEN -- PAGE 1 OF 1

REVISIONS			
REV	DESCRIPTION	DATE	APPROVED

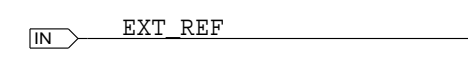
SUPPLIES



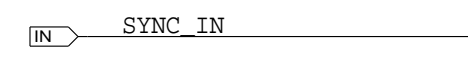
SPI



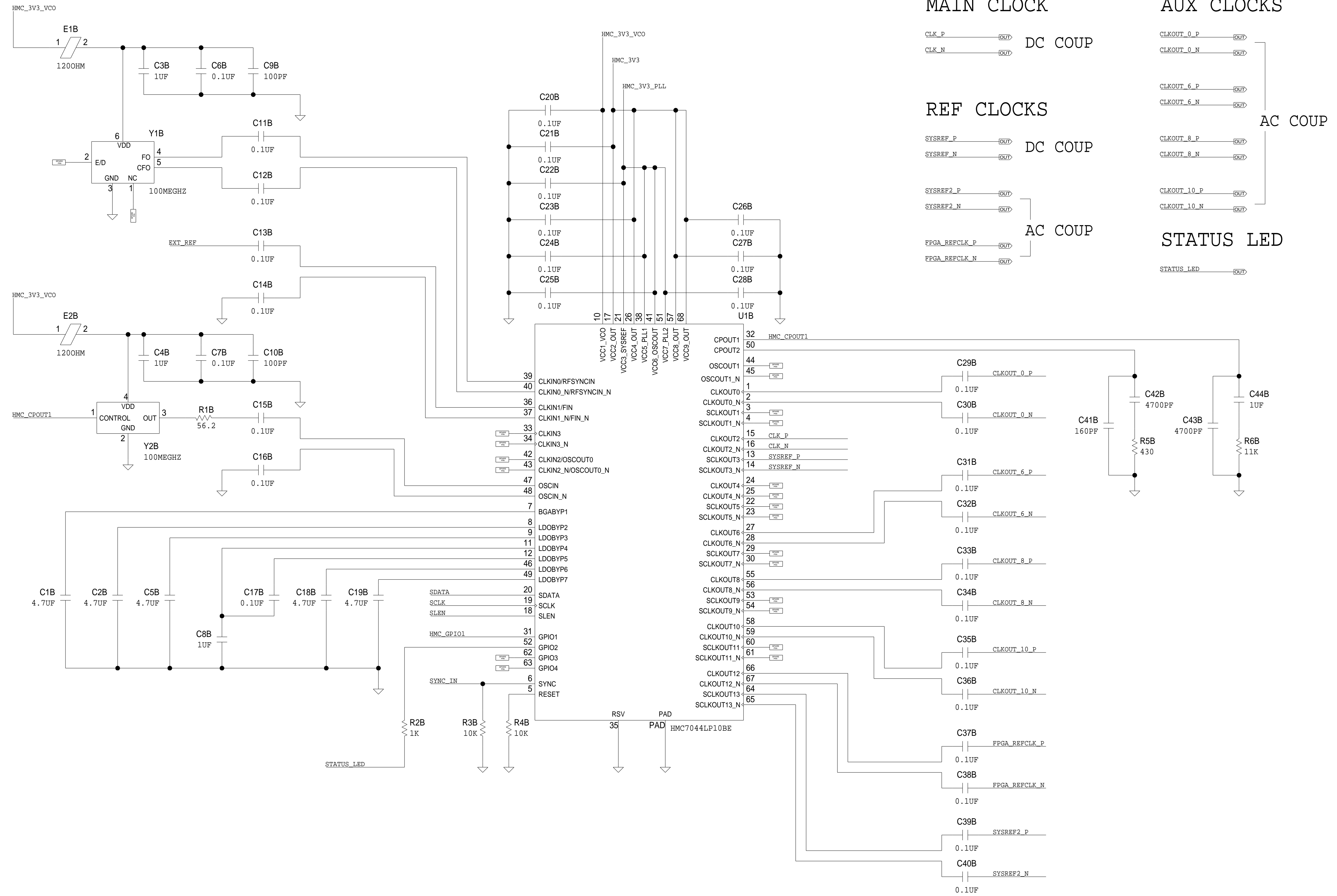
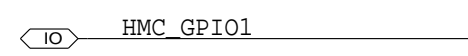
EXT REF



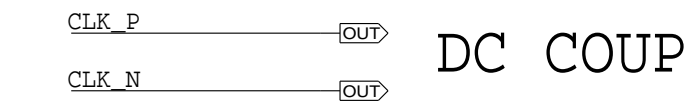
SYNC



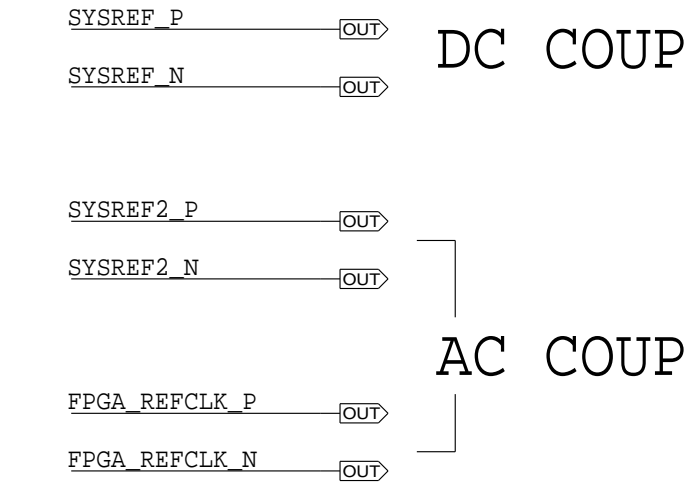
GPIO



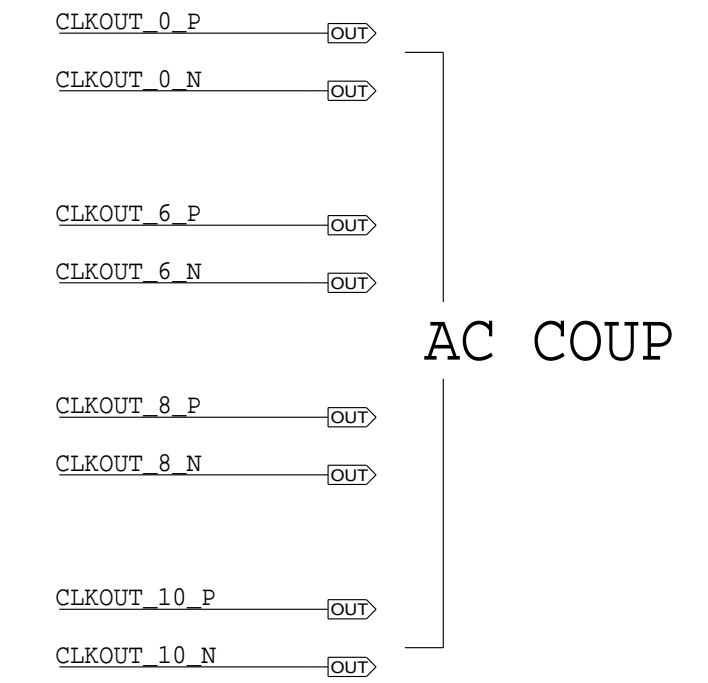
MAIN CLOCK



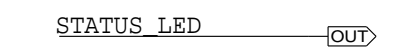
REF CLOCKS



AUX CLOCKS



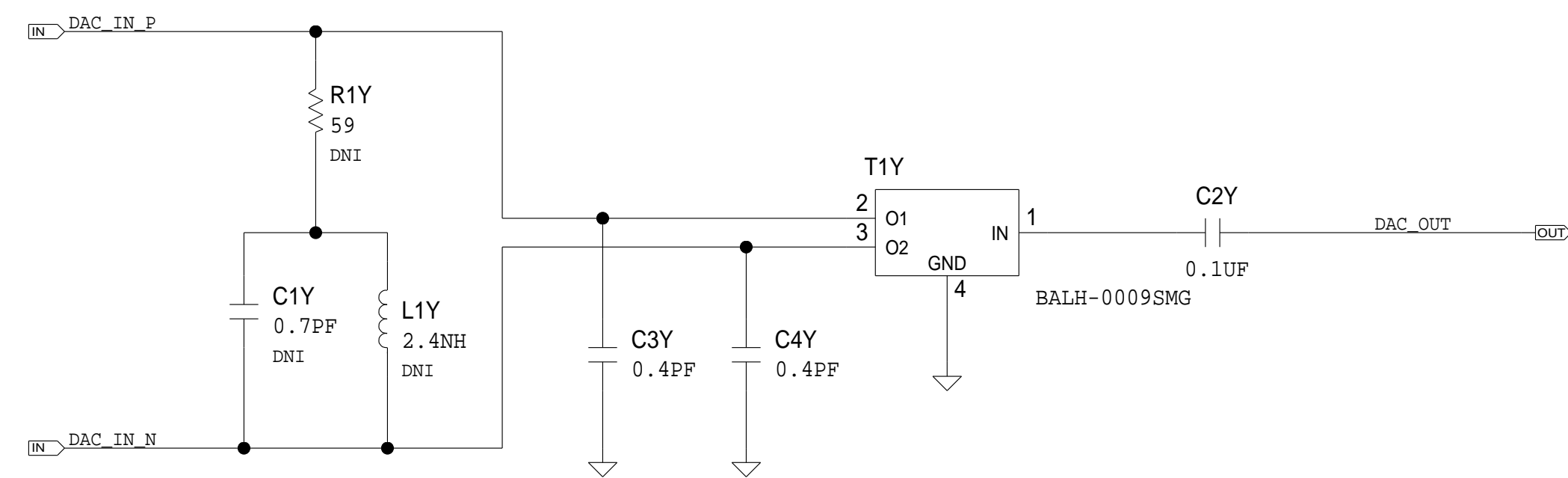
STATUS LED



SCHEMATIC			
HW TYPE : Customer Evaluation		Product(s) : MxFE	
DESIGN VIEW <DESIGN_VIEW>		DRAWING NO. 02_049648	REV J
PTD ENGINEER D. DEBOLT	SIZE D	SCALE 1:1	SHEET 8 OF 30

DAC BALUN OPTION 2 -- PAGE 1 OF 1

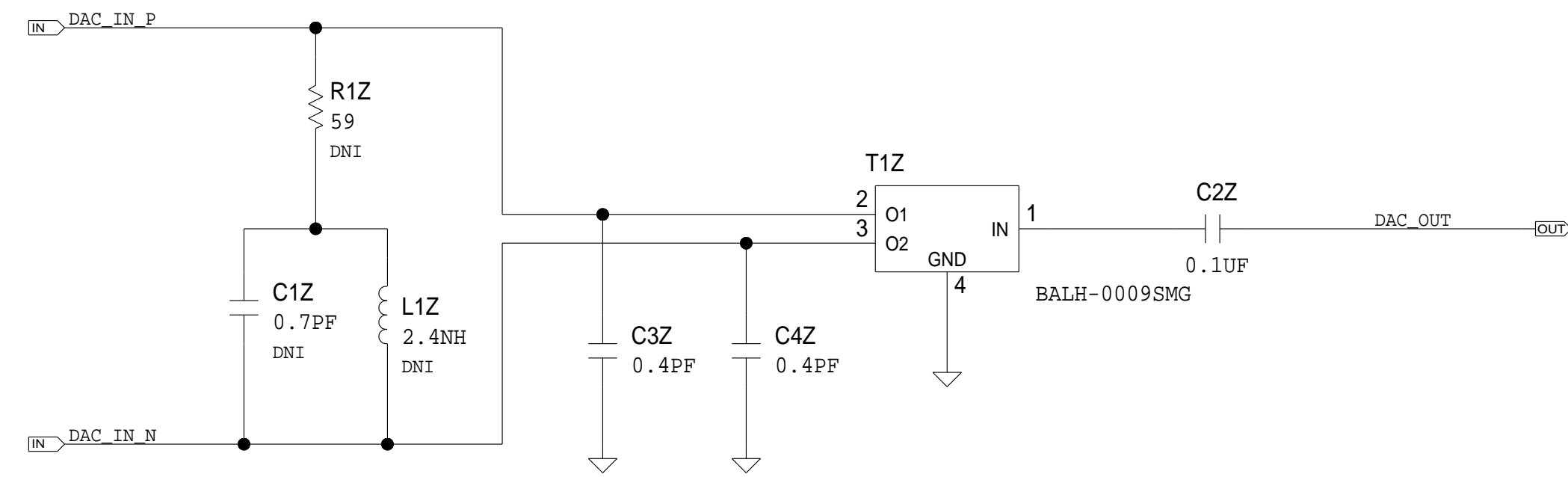
REVISIONS			
REV	DESCRIPTION	DATE	APPROVED



	SCHEMATIC		
	HW TYPE : Customer Evaluation Product(s) : MxFE : AD9082BBPZ-4D2AC		
	DESIGN VIEW <DESIGN_VIEW>	DRAWING NO. 02_049648	REV J
	PTD ENGINEER D. DEBOLT	SIZE D	SCALE 1:1
		SHEET 9 OF 30	

DAC BALUN OPTION 2 -- PAGE 1 OF 1

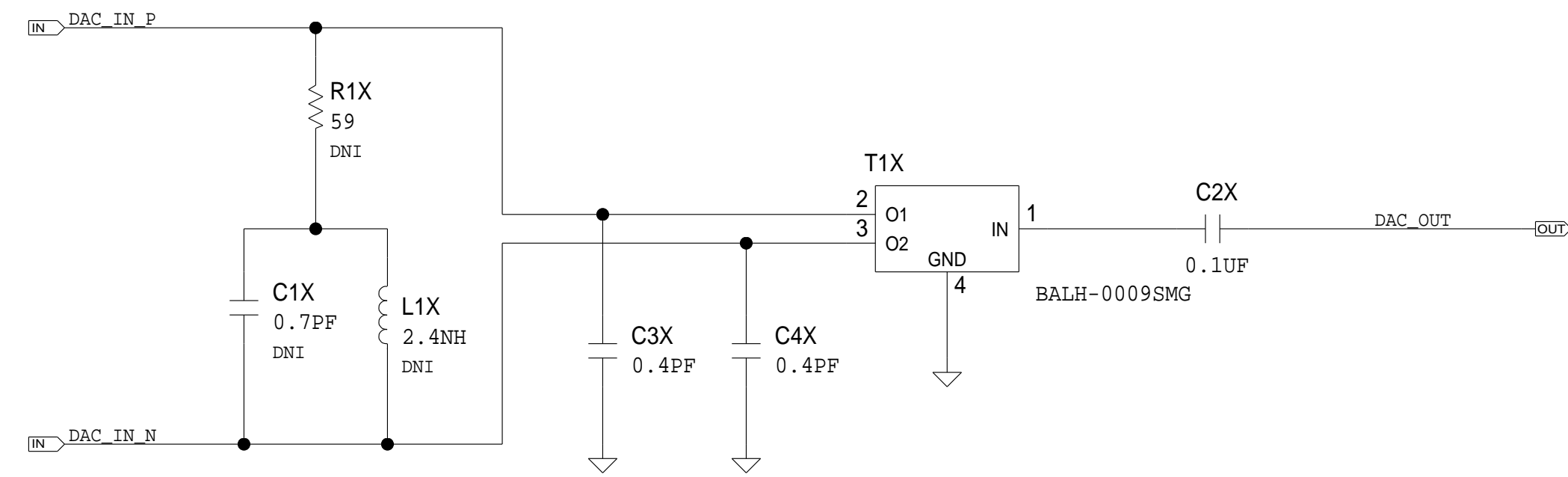
REVISIONS			
REV	DESCRIPTION	DATE	APPROVED



	SCHEMATIC		
	HW TYPE : Customer Evaluation Product(s) : MxFE : AD9082BBPZ-4D2AC		
	DESIGN VIEW <DESIGN_VIEW>	DRAWING NO. 02_049648	REV J
	PTD ENGINEER D. DEBOLT	SIZE D	SCALE 1:1
		SHEET 10 OF 30	

DAC BALUN OPTION 2 -- PAGE 1 OF 1

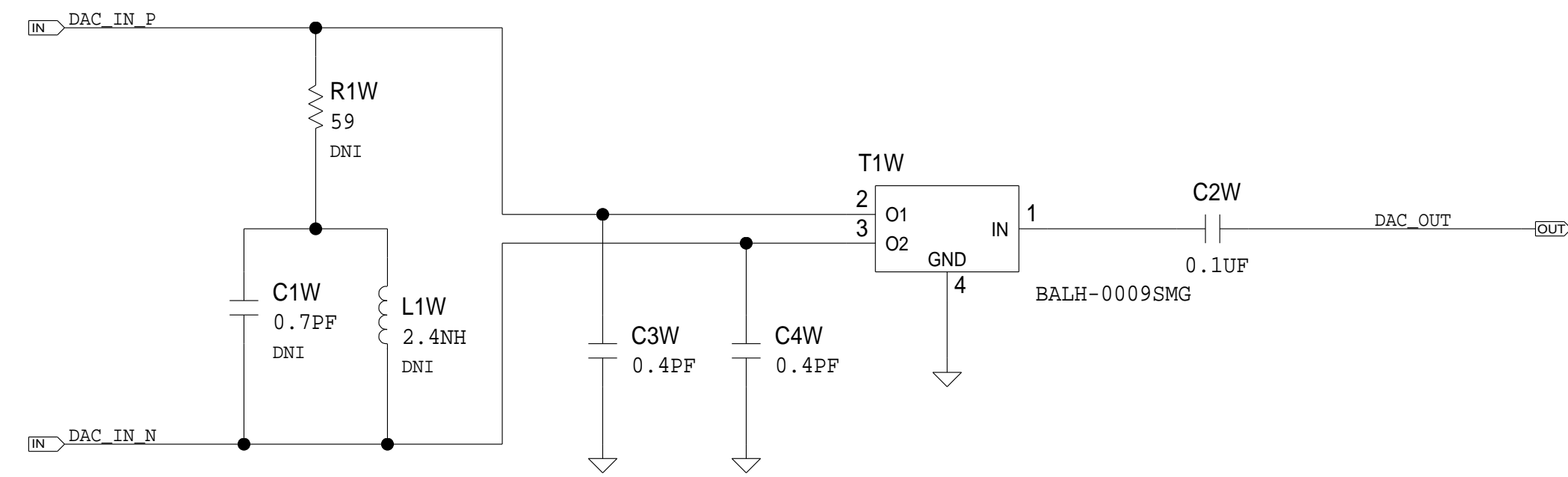
REVISIONS			
REV	DESCRIPTION	DATE	APPROVED



	SCHEMATIC		
	HW TYPE : Customer Evaluation Product(s) : MxFE : AD9082BBPZ-4D2AC		
	DESIGN VIEW <DESIGN_VIEW>	DRAWING NO. 02_049648	REV J
	PTD ENGINEER D. DEBOLT	SIZE D	SCALE 1:1
		SHEET 11 OF 30	

DAC BALUN OPTION 2 -- PAGE 1 OF 1

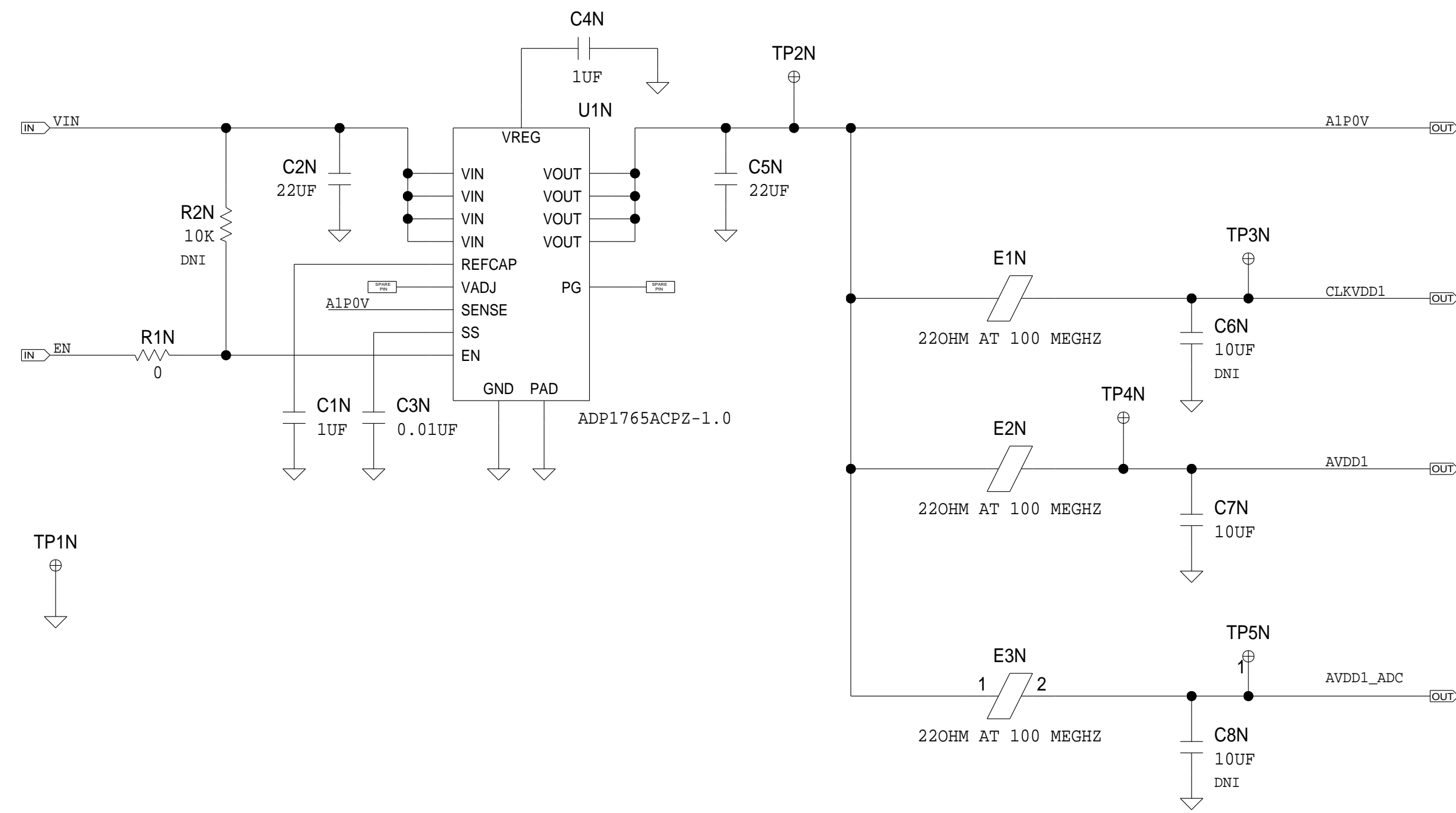
REVISIONS			
REV	DESCRIPTION	DATE	APPROVED



	SCHEMATIC		
	HW TYPE : Customer Evaluation Product(s) : MxFE : AD9082BBPZ-4D2AC		
	DESIGN VIEW <DESIGN_VIEW>	DRAWING NO. 02_049648	REV J
	PTD ENGINEER D. DEBOLT	SIZE D	SCALE 1:1
SHEET 12 OF 30		SHEET 12 OF 30	

LDO ANALOG 1P0V -- PAGE 1 OF 1

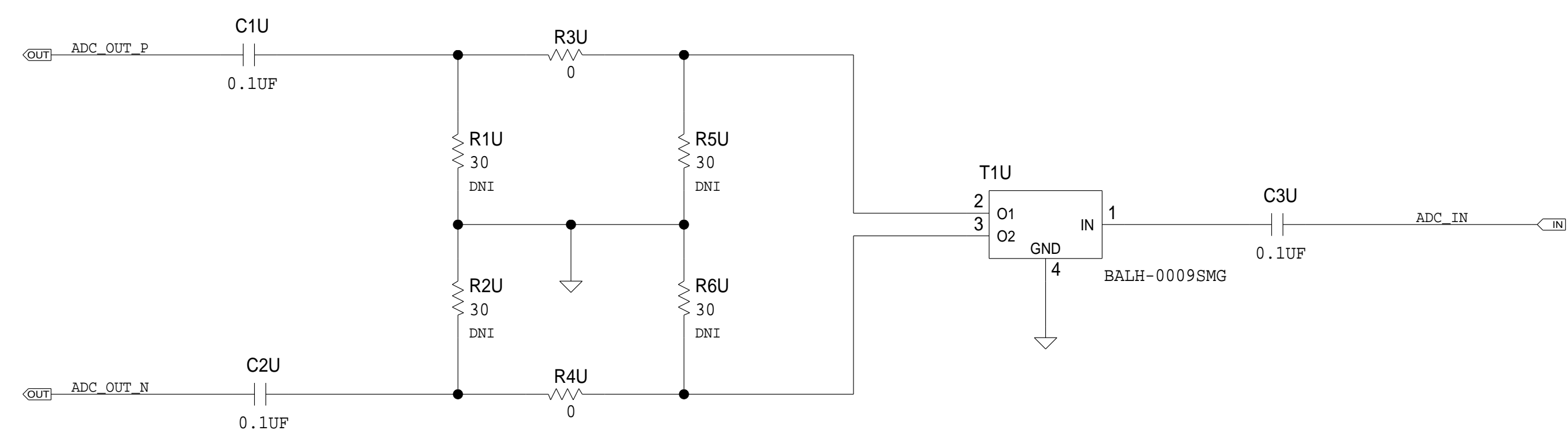
REVISIONS			
REV	DESCRIPTION	DATE	APPROVED



	SCHEMATIC		
	HW TYPE : Customer Evaluation Product(s) : MxFE : AD9082BBPZ-4D2AC		
	DESIGN VIEW <DESIGN_VIEW>	DRAWING NO. 02_049648	REV J
	PTD ENGINEER D. DEBOLT	SIZE D	SCALE 1:1
		SHEET 13 OF 30	

ADC BALUN OPTION 2 -- PAGE 1 OF 1

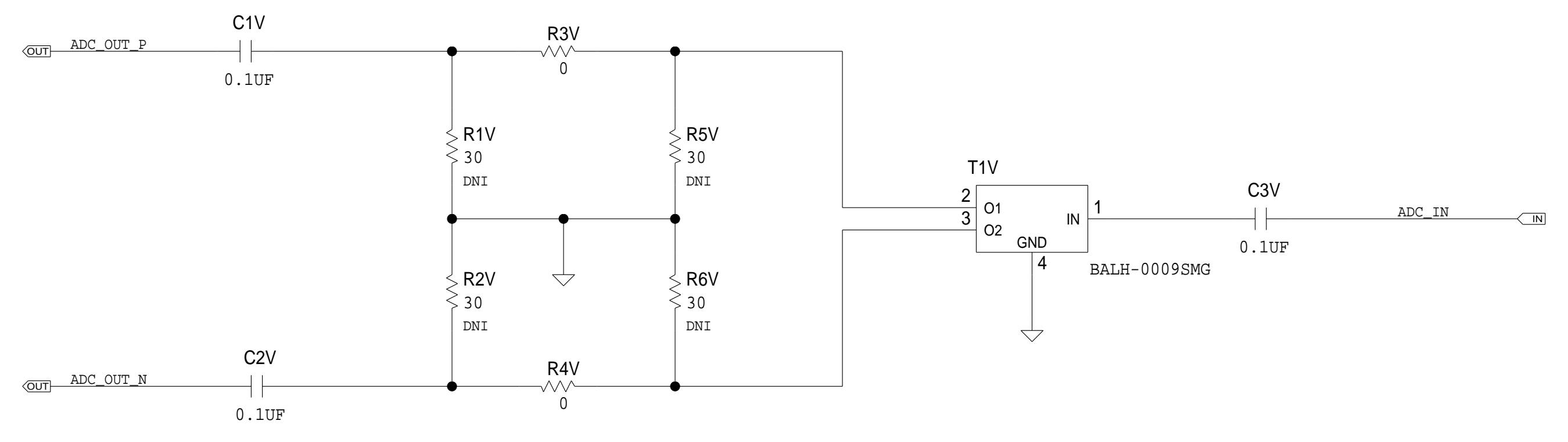
REVISIONS			
REV	DESCRIPTION	DATE	APPROVED



	SCHEMATIC		
	HW TYPE : Customer Evaluation Product(s) : MxFE : AD9082BBPZ-4D2AC		
	DESIGN VIEW <DESIGN_VIEW>	DRAWING NO. 02_049648	REV J
	PTD ENGINEER D. DEBOLT	SIZE D	SCALE 1:1
		SHEET 14 OF 30	

ADC BALUN OPTION 2 -- PAGE 1 OF 1

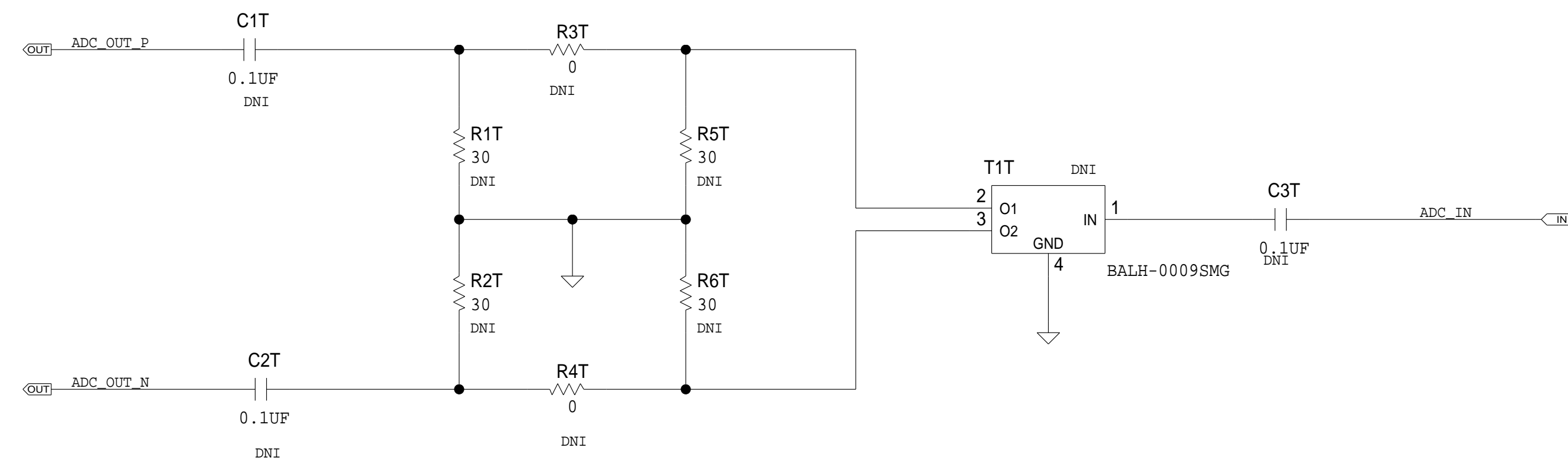
REVISIONS			
REV	DESCRIPTION	DATE	APPROVED



	SCHEMATIC		
	HW TYPE : Customer Evaluation Product(s) : MxFE : AD9082BBPZ-4D2AC		
	DESIGN VIEW <DESIGN_VIEW>	DRAWING NO. 02_049648	REV J
	PTD ENGINEER D. DEBOLT	SIZE D	SCALE 1:1
		SHEET 15 OF 30	

ADC BALUN OPTION 2 -- PAGE 1 OF 1

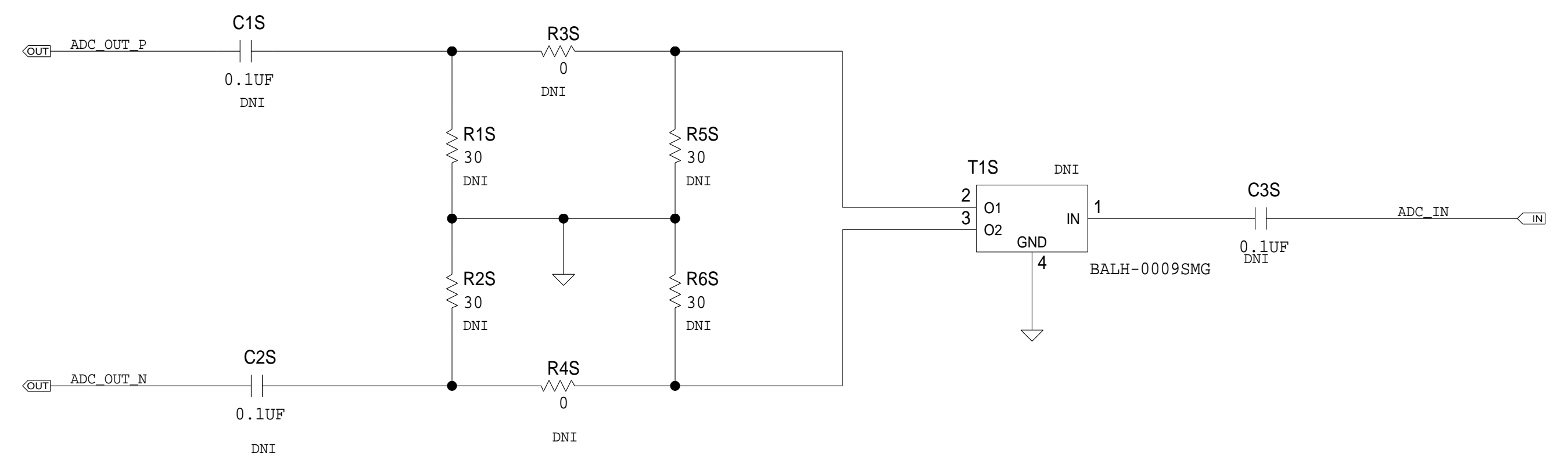
REVISIONS			
REV	DESCRIPTION	DATE	APPROVED



	SCHEMATIC		
	HW TYPE : Customer Evaluation Product(s) : MxFE : AD9082BBPZ-4D2AC		
	DESIGN VIEW <DESIGN_VIEW>	DRAWING NO. 02_049648	REV J
	PTD ENGINEER D. DEBOLT	SIZE D	SCALE 1:1
SHEET 16 OF 30		SHEET 16 OF 30	SHEET 16 OF 30

ADC BALUN OPTION 2 -- PAGE 1 OF 1

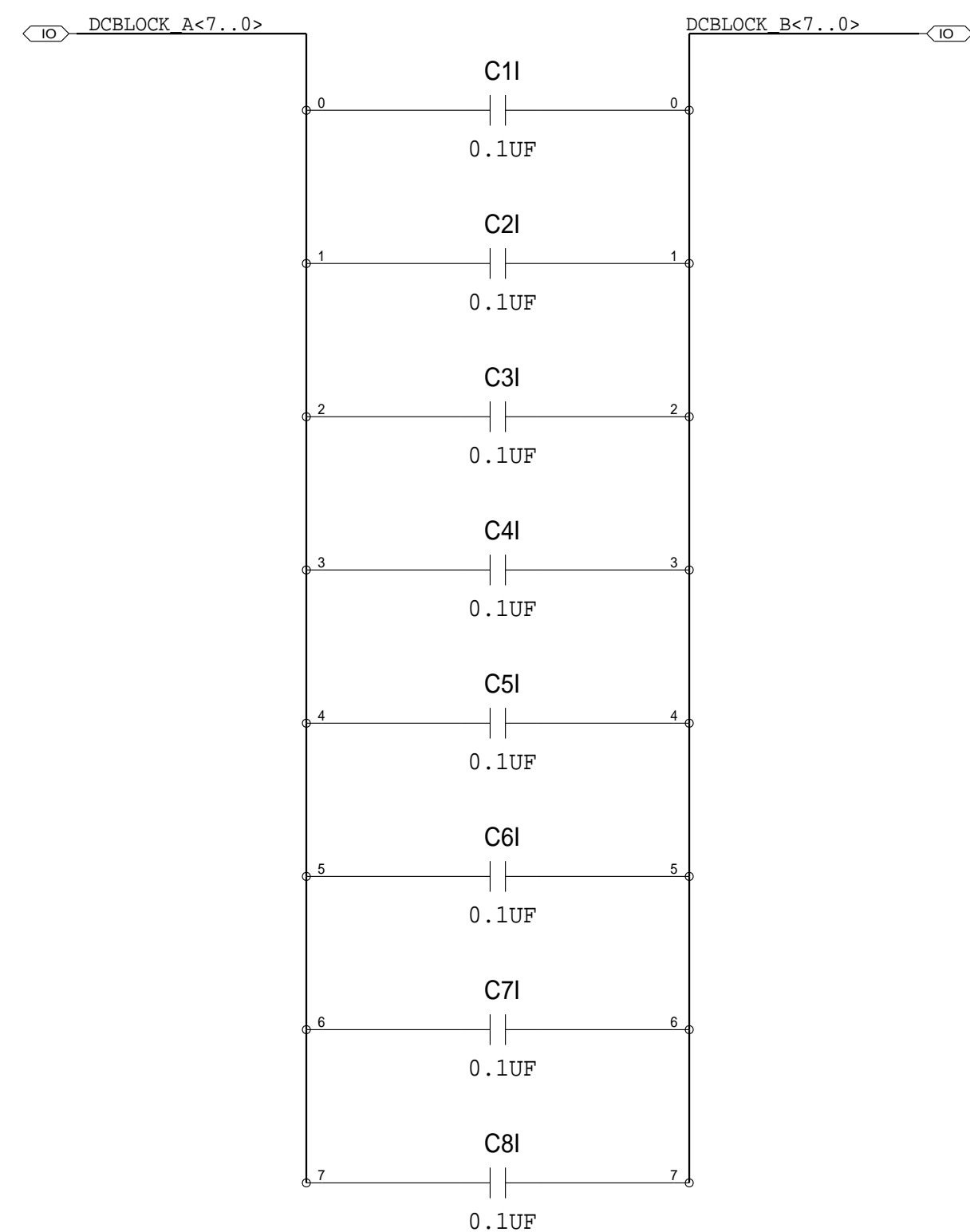
REVISIONS			
REV	DESCRIPTION	DATE	APPROVED



	SCHEMATIC		
	HW TYPE : Customer Evaluation Product(s) : MxFE : AD9082BBPZ-4D2AC		
	DESIGN VIEW <DESIGN_VIEW>	DRAWING NO. 02_049648	REV J
	PTD ENGINEER D. DEBOLT	SIZE D	SCALE 1:1
		SHEET 17 OF 30	

DC BLOCK -- PAGE 1 OF 1

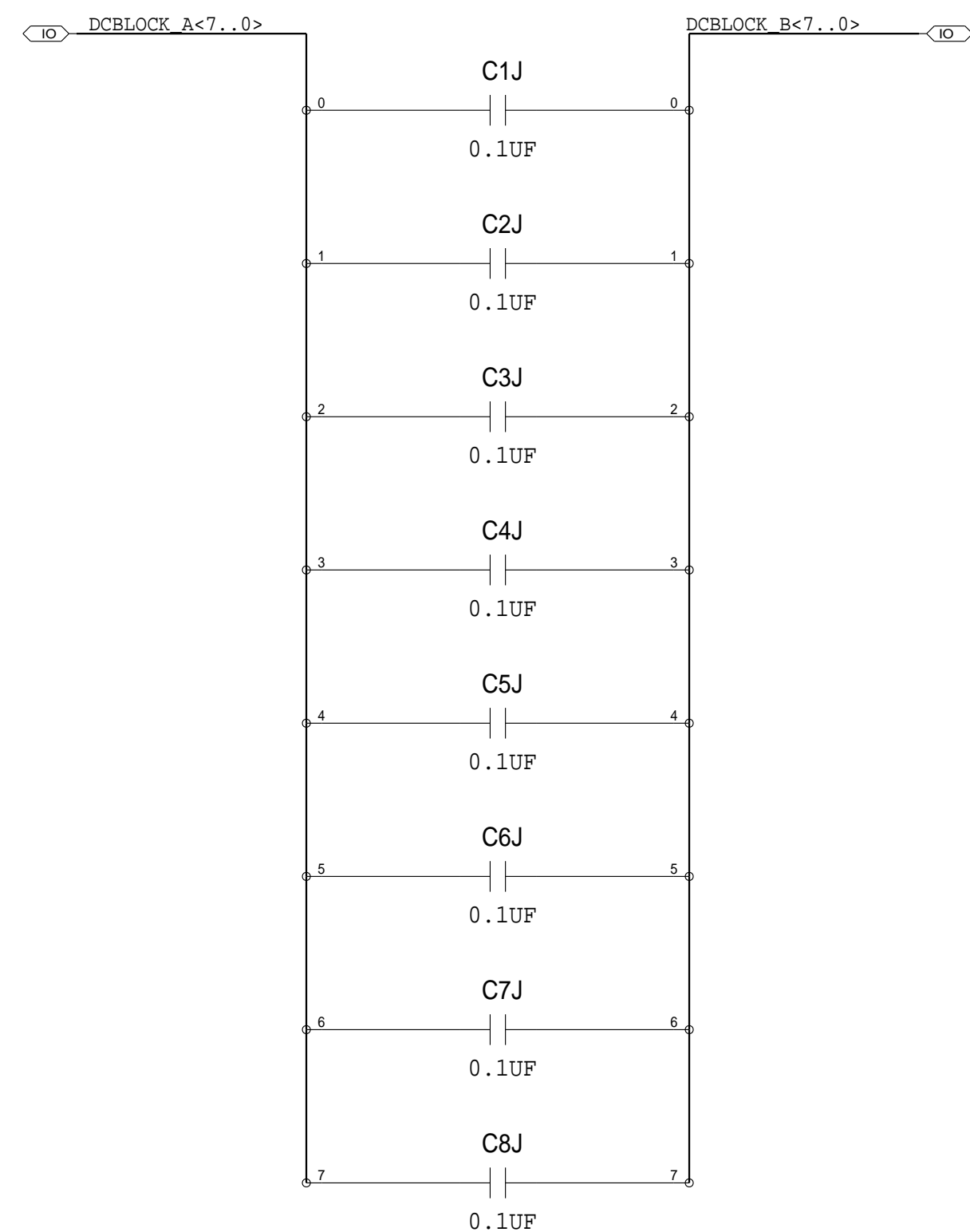
REVISIONS			
REV	DESCRIPTION	DATE	APPROVED



	SCHEMATIC		
	HW TYPE : Customer Evaluation Product(s) : MxFE : AD9082BBPZ-4D2AC		
	DESIGN VIEW <DESIGN_VIEW>	DRAWING NO. 02_049648	REV J
	PTD ENGINEER D. DEBOLT	SIZE D	SCALE 1:1
SHEET 18 OF 30		THE DRAWING IS THE PROPERTY OF ANALOG DEVICES INC. IT IS NOT TO BE REPRODUCED OR COPIED IN WHOLE OR IN PART, OR USED IN FURNISHING INFORMATION TO OTHERS, OR FOR ANY OTHER PURPOSE DETRIMENTAL TO THE INTERESTS OF ANALOG DEVICES. THE EQUIPMENT SHOWN HEREON MAY BE PROTECTED BY PATENTS OWNED OR CONTROLLED BY ANALOG DEVICES.	

DC BLOCK -- PAGE 1 OF 1

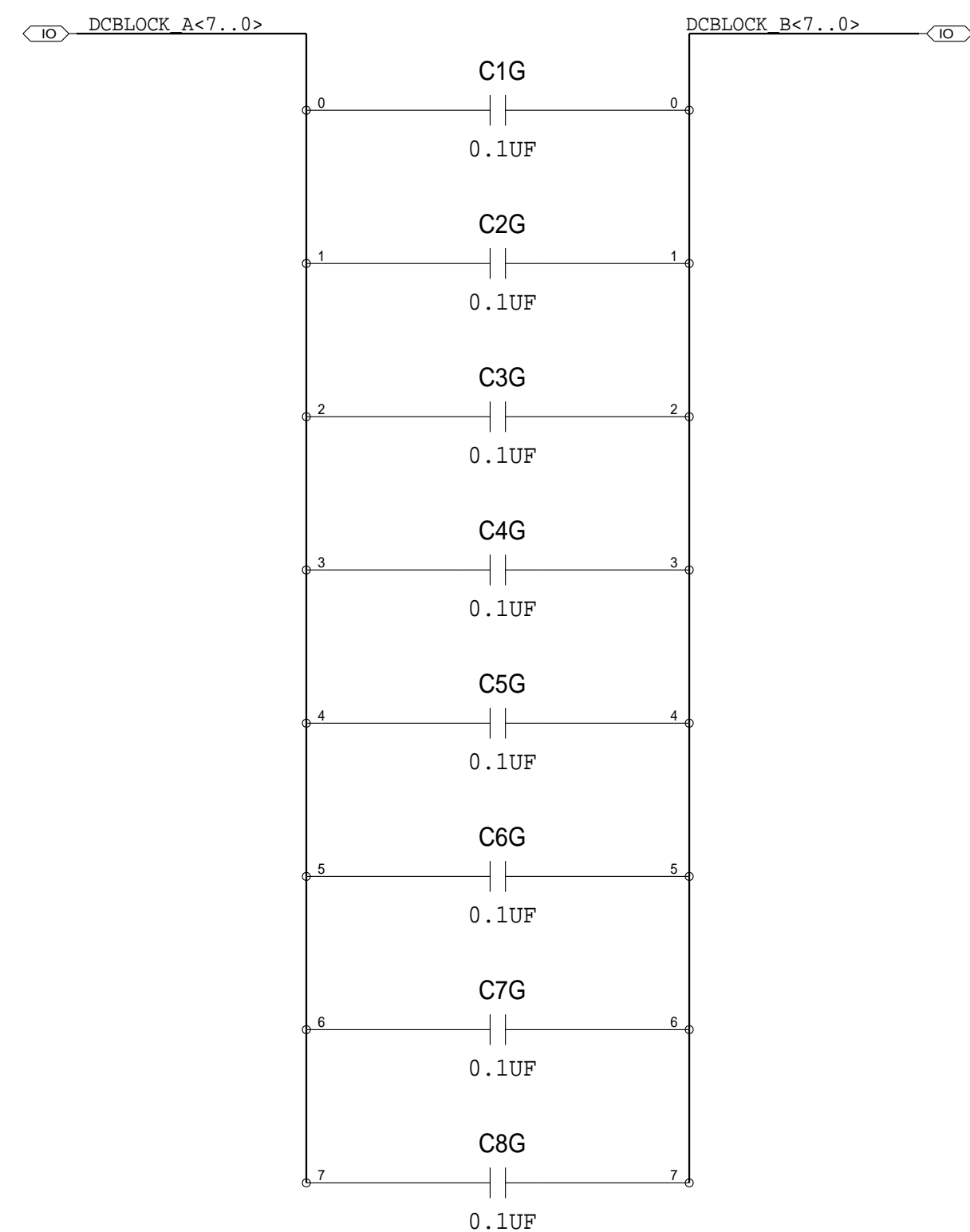
REVISIONS			
REV	DESCRIPTION	DATE	APPROVED



	SCHEMATIC		
	HW TYPE : Customer Evaluation Product(s) : MxFE : AD9082BBPZ-4D2AC		
	DESIGN VIEW <DESIGN_VIEW>	DRAWING NO. 02_049648	REV J
	PTD ENGINEER D. DEBOLT	SIZE D	SCALE 1:1
SHEET 19 OF 30		THE DRAWING IS THE PROPERTY OF ANALOG DEVICES INC. IT IS NOT TO BE REPRODUCED OR COPIED IN WHOLE OR IN PART, OR USED IN FURNISHING INFORMATION TO OTHERS, OR FOR ANY OTHER PURPOSE DETRIMENTAL TO THE INTERESTS OF ANALOG DEVICES. THE EQUIPMENT SHOWN HEREON MAY BE PROTECTED BY PATENTS OWNED OR CONTROLLED BY ANALOG DEVICES.	

DC BLOCK -- PAGE 1 OF 1

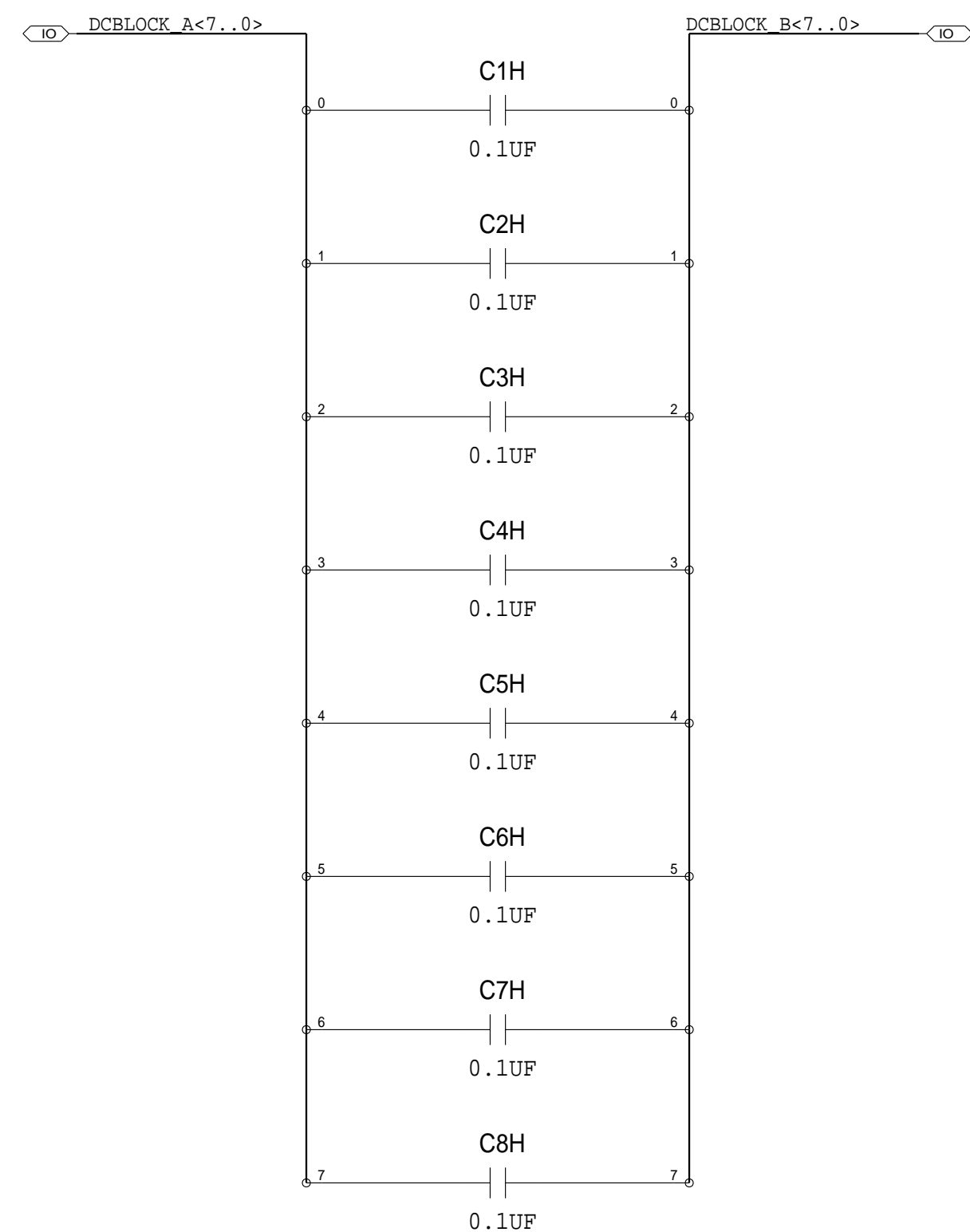
REVISIONS			
REV	DESCRIPTION	DATE	APPROVED



	SCHEMATIC		
	HW TYPE : Customer Evaluation Product(s) : MxFE : AD9082BBPZ-4D2AC		
	DESIGN VIEW <DESIGN_VIEW>	DRAWING NO. 02_049648	REV J
	PTD ENGINEER D. DEBOLT	SIZE D	SCALE 1:1
SHEET 20 OF 30		THE EQUIPMENT SHOWN HEREON MAY BE PROTECTED BY PATENTS OWNED OR CONTROLLED BY ANALOG DEVICES.	

DC BLOCK -- PAGE 1 OF 1

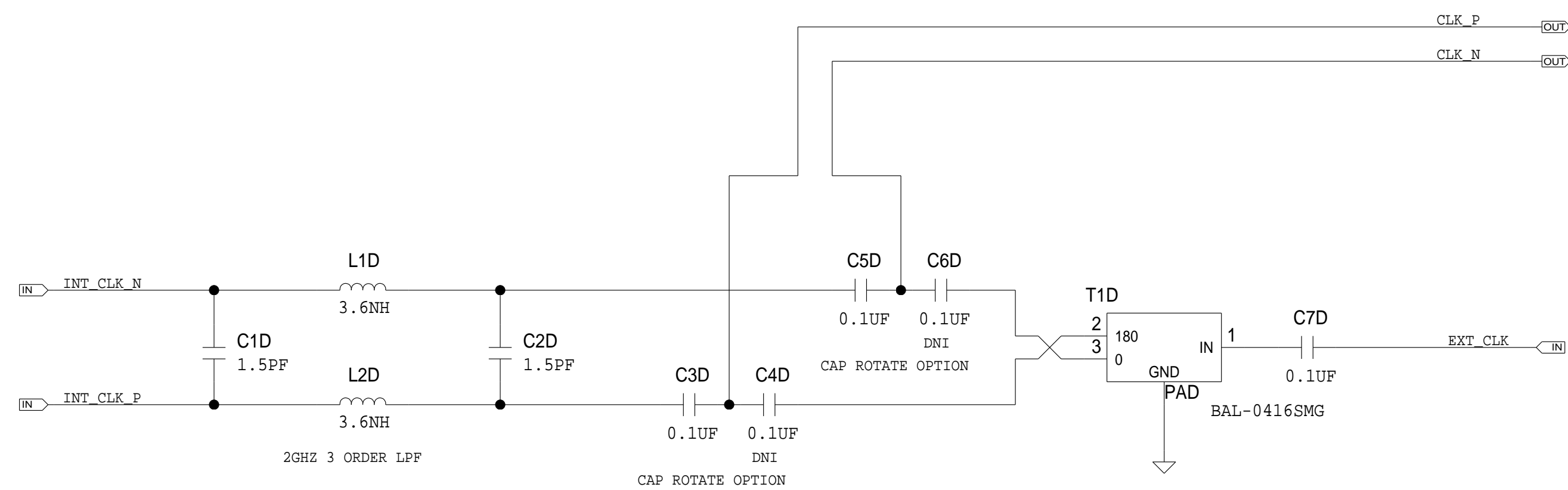
REVISIONS			
REV	DESCRIPTION	DATE	APPROVED



<p><small>THIS DRAWING IS THE PROPERTY OF ANALOG DEVICES INC. IT IS NOT TO BE REPRODUCED OR COPIED IN WHOLE OR IN PART, OR USED IN FURNISHING INFORMATION TO OTHERS, OR FOR ANY OTHER PURPOSE DETRIMENTAL TO THE INTERESTS OF ANALOG DEVICES. THE EQUIPMENT SHOWN HEREON MAY BE PROTECTED BY PATENTS OWNED OR CONTROLLED BY ANALOG DEVICES.</small></p>	SCHEMATIC		
	HW TYPE : Customer Evaluation Product(s) : MxFE : AD9082BBPZ-4D2AC		
	DESIGN VIEW <DESIGN_VIEW>	DRAWING NO. 02_049648	REV J
	PTD ENGINEER D. DEBOLT	SIZE D	SCALE 1:1
		SHEET 21 OF 30	

MAIN CLOCK PATH -- PAGE 1 OF 1

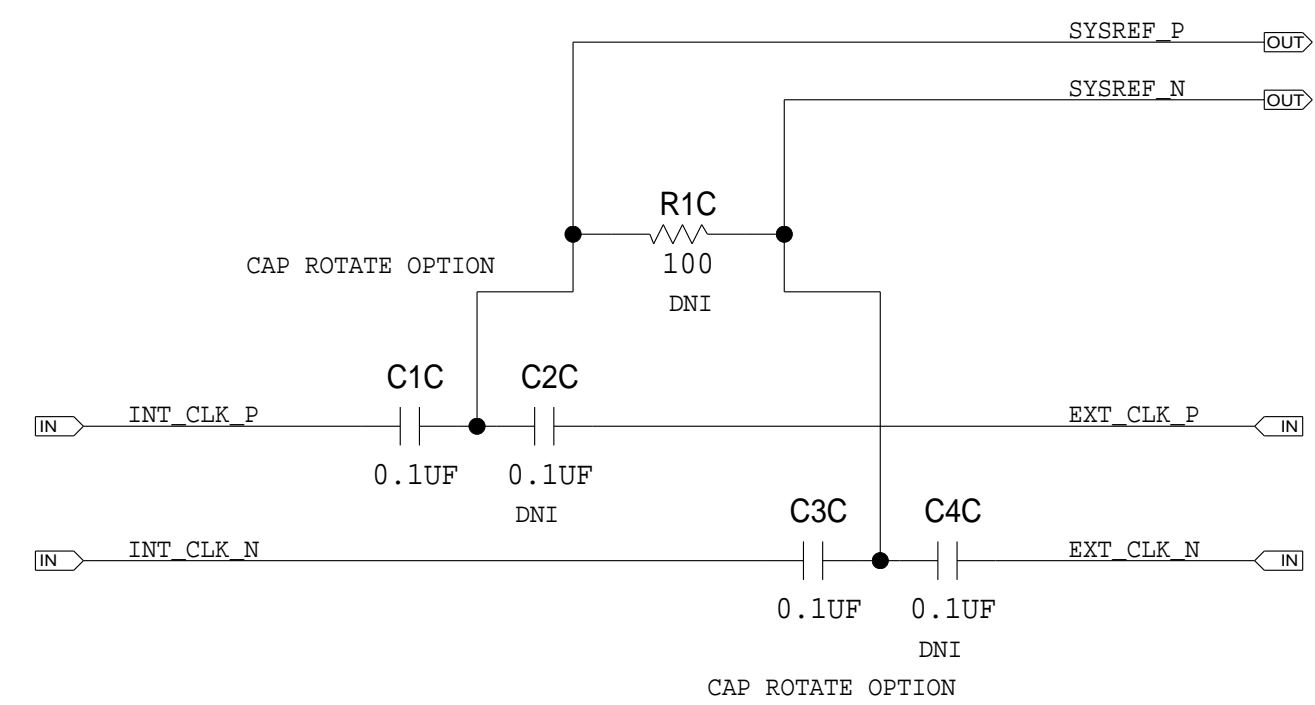
REVISIONS			
REV	DESCRIPTION	DATE	APPROVED



	SCHEMATIC		
	HW TYPE : Customer Evaluation Product(s) : MxFE : AD9082BBPZ-4D2AC		
	DESIGN VIEW <DESIGN_VIEW>	DRAWING NO. 02_049648	REV J
	PTD ENGINEER D. DEBOLT	SIZE D	SCALE 1:1
SHEET 22 OF 30		DATE	

SYSREF CLOCK PATH -- PAGE 1 OF 1

REVISIONS			
REV	DESCRIPTION	DATE	APPROVED

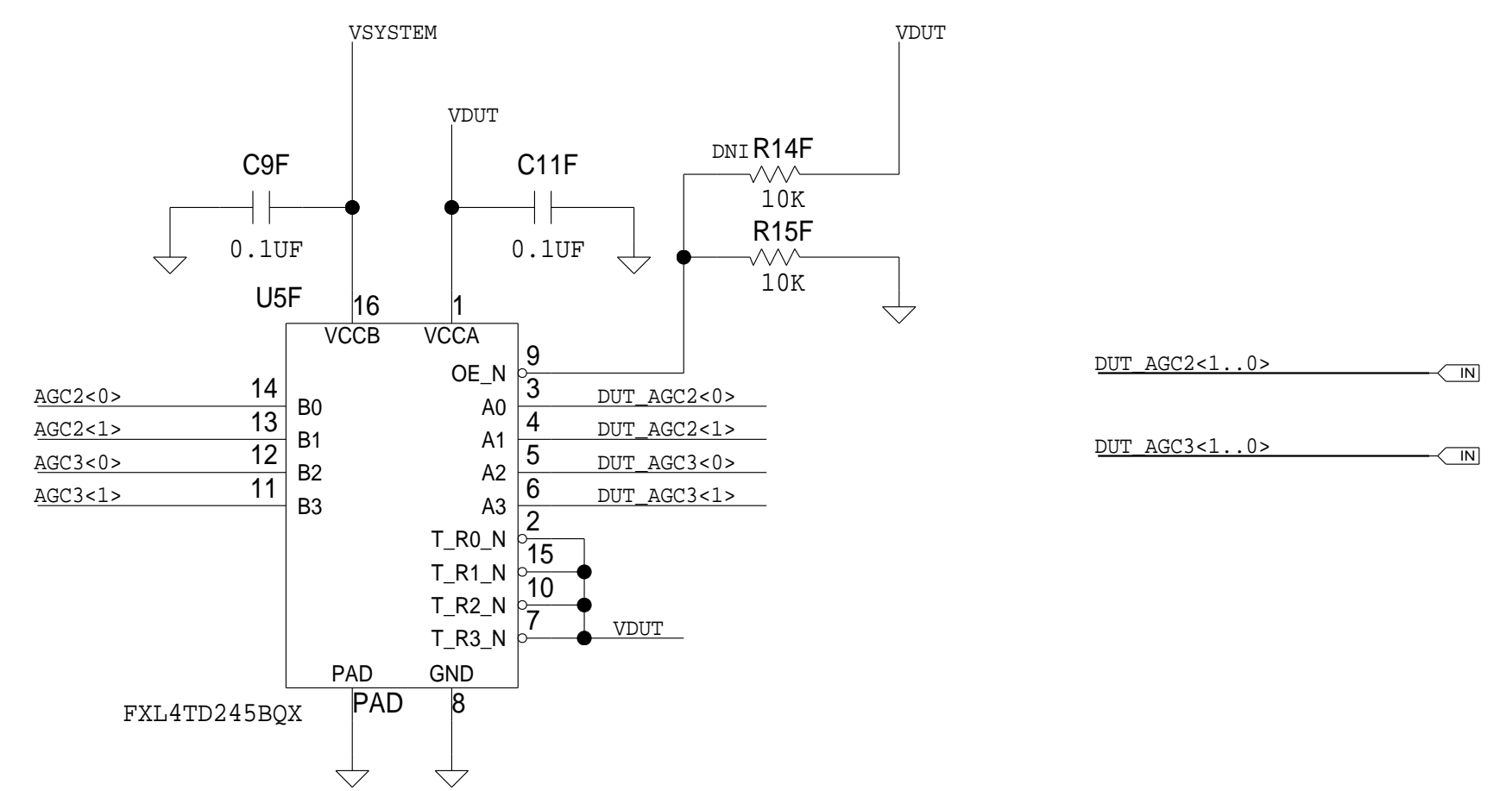
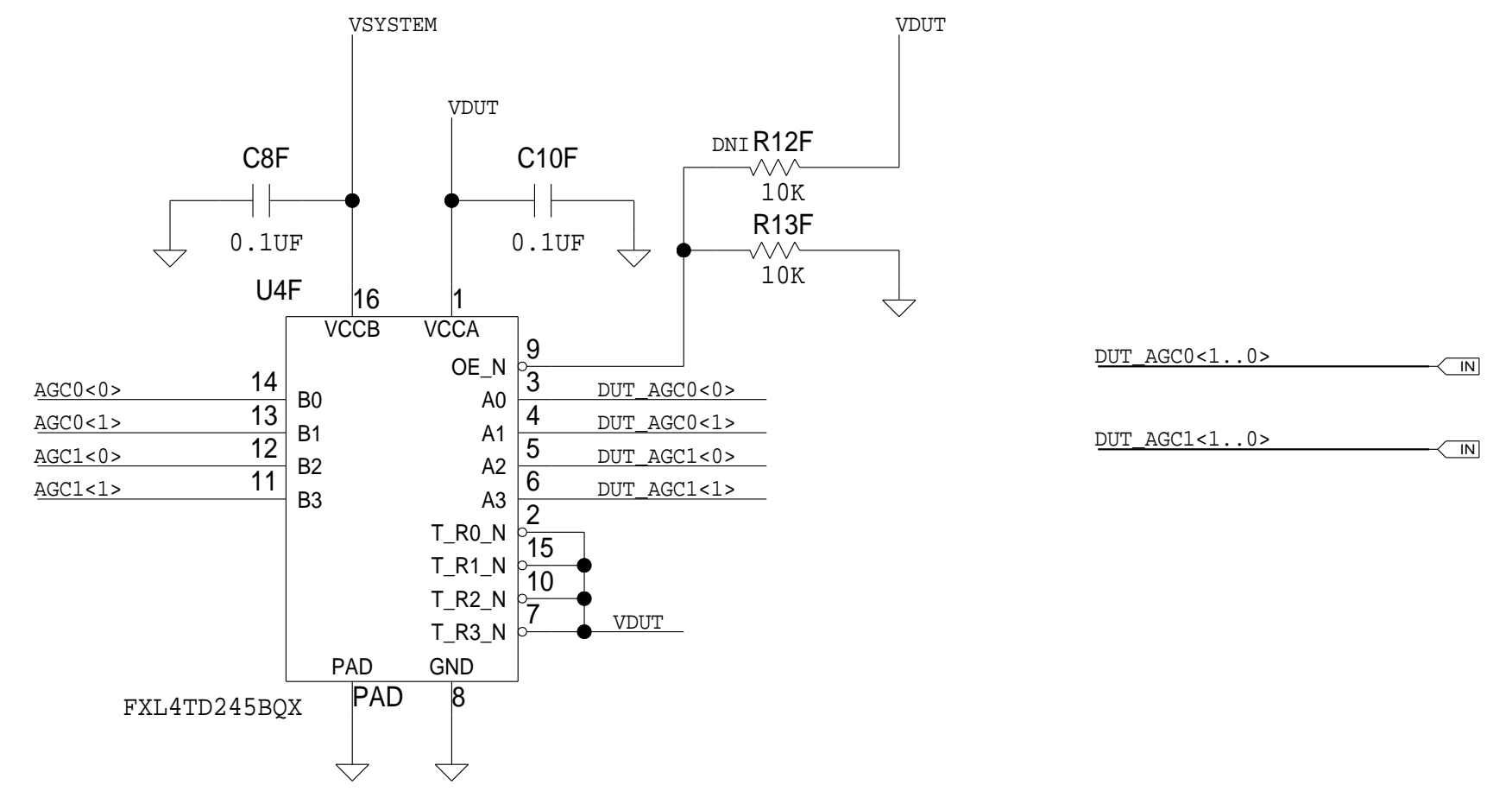
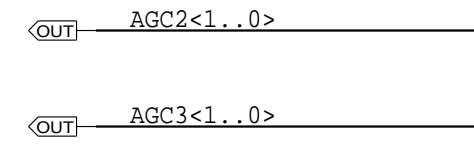
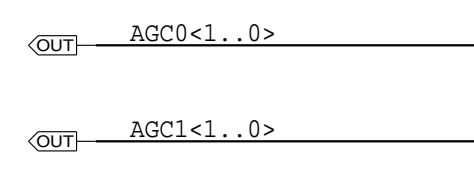
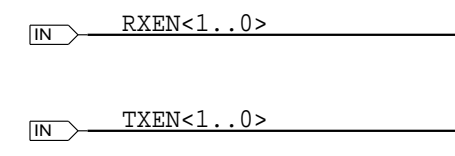
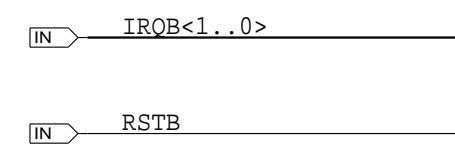
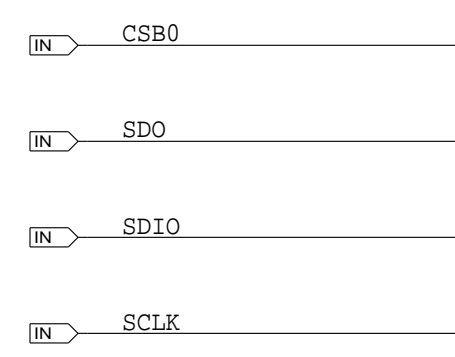
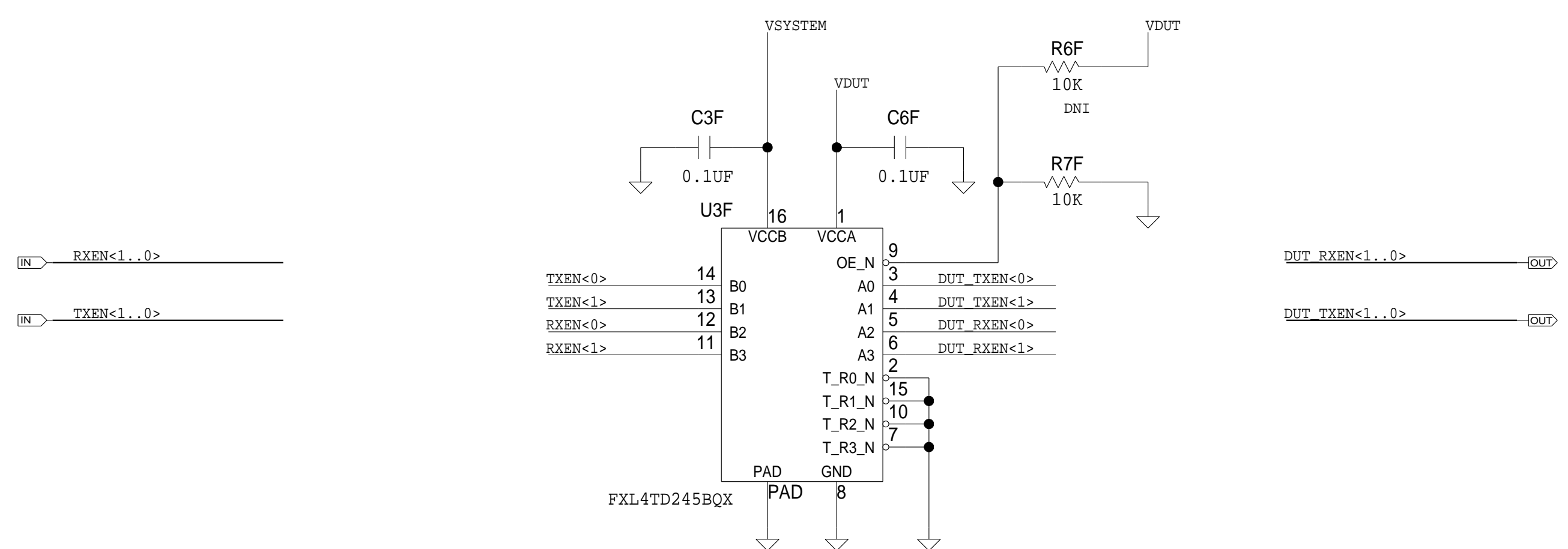
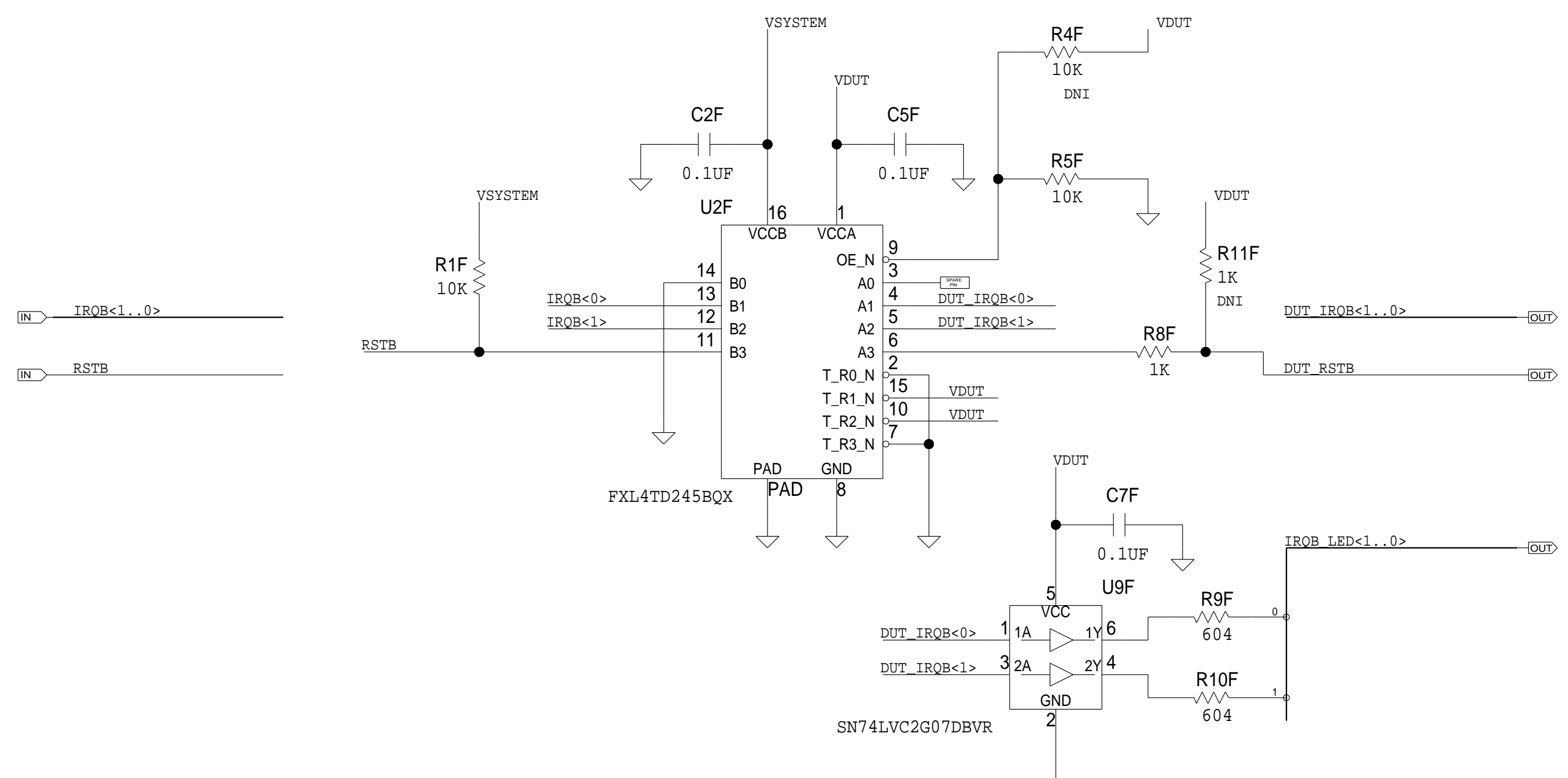
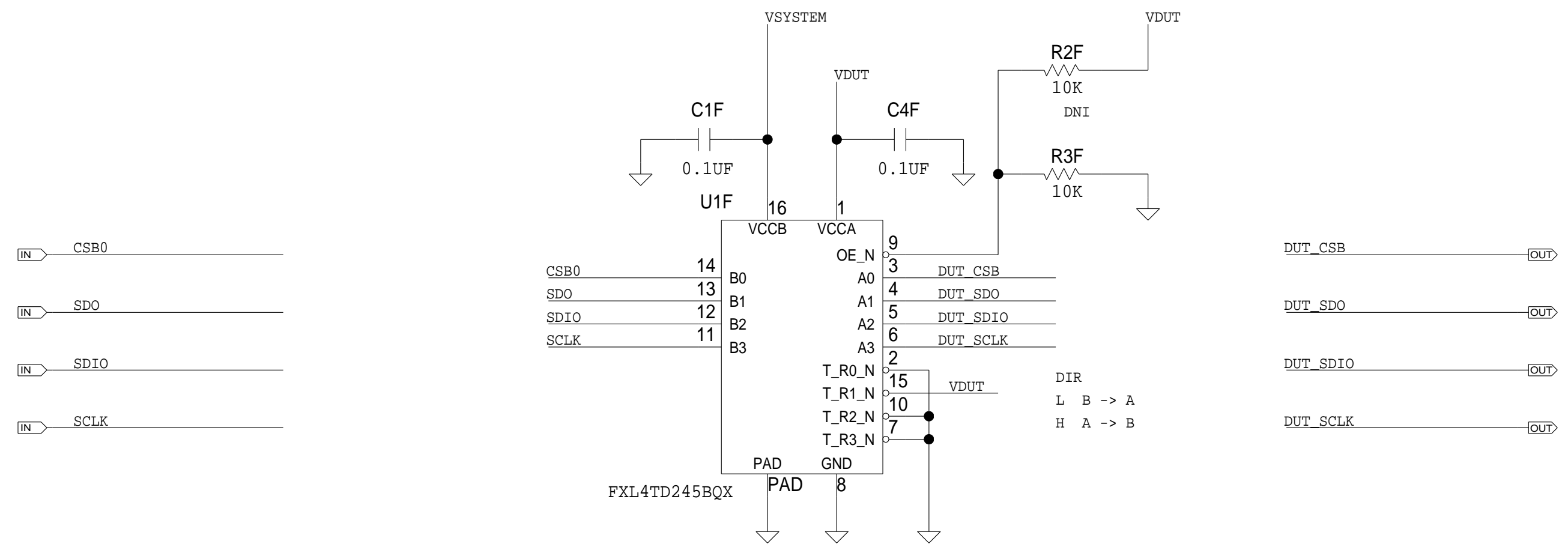
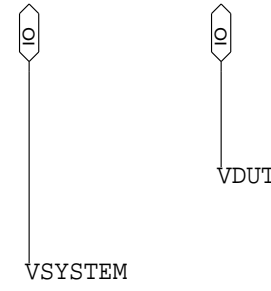


	SCHEMATIC		
	HW TYPE : Customer Evaluation Product(s) : MxFE : AD9082BBPZ-4D2AC		
	DESIGN VIEW <DESIGN_VIEW>	DRAWING NO. 02_049648	REV J
	PTD ENGINEER D. DEBOLT	SIZE D	SCALE 1:1
SHEET 23 OF 30		SHEET 23 OF 30	

LEVEL SHIFTERS -- PAGE 1 OF 2

REVISIONS			
REV	DESCRIPTION	DATE	APPROVED

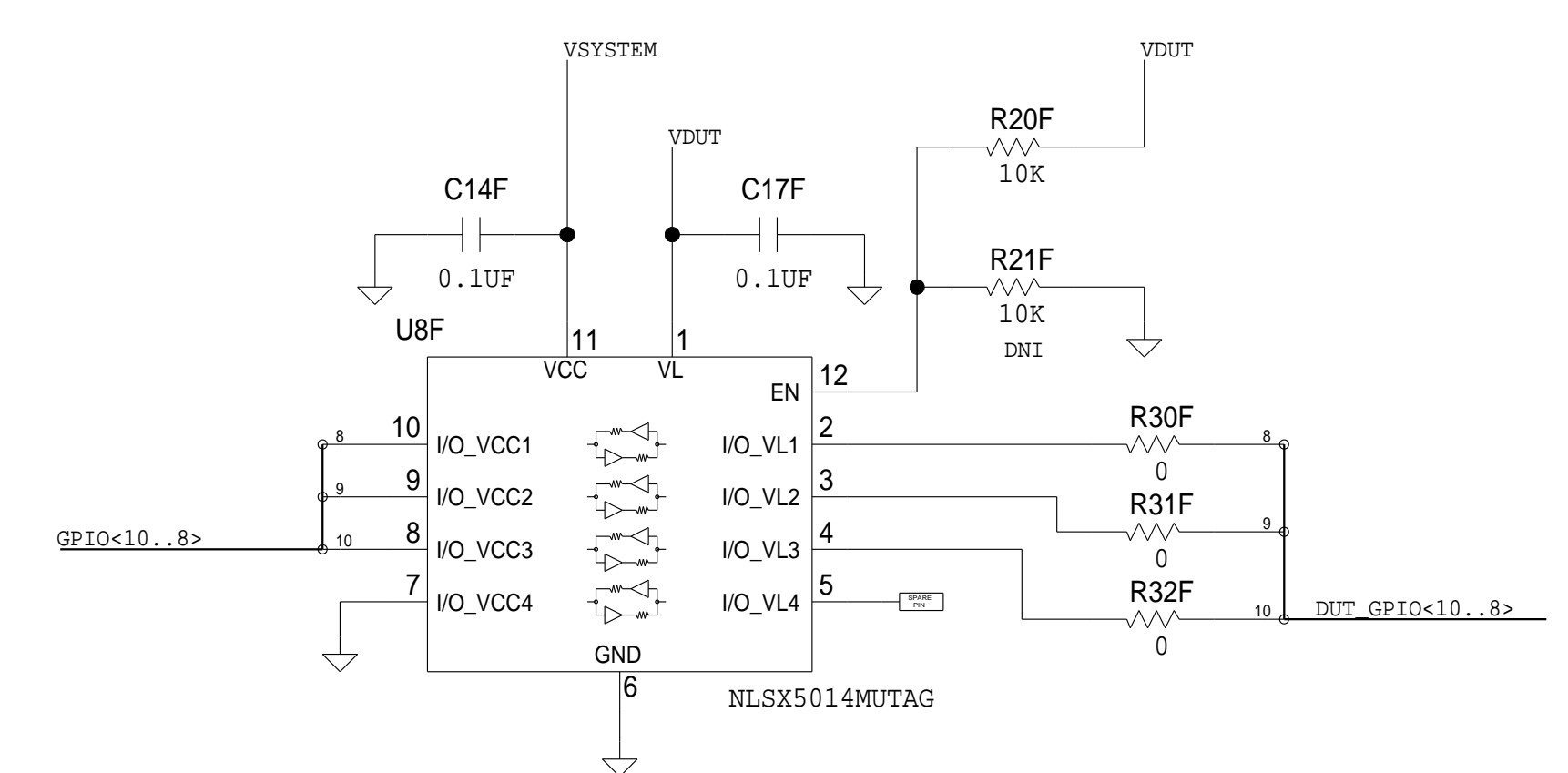
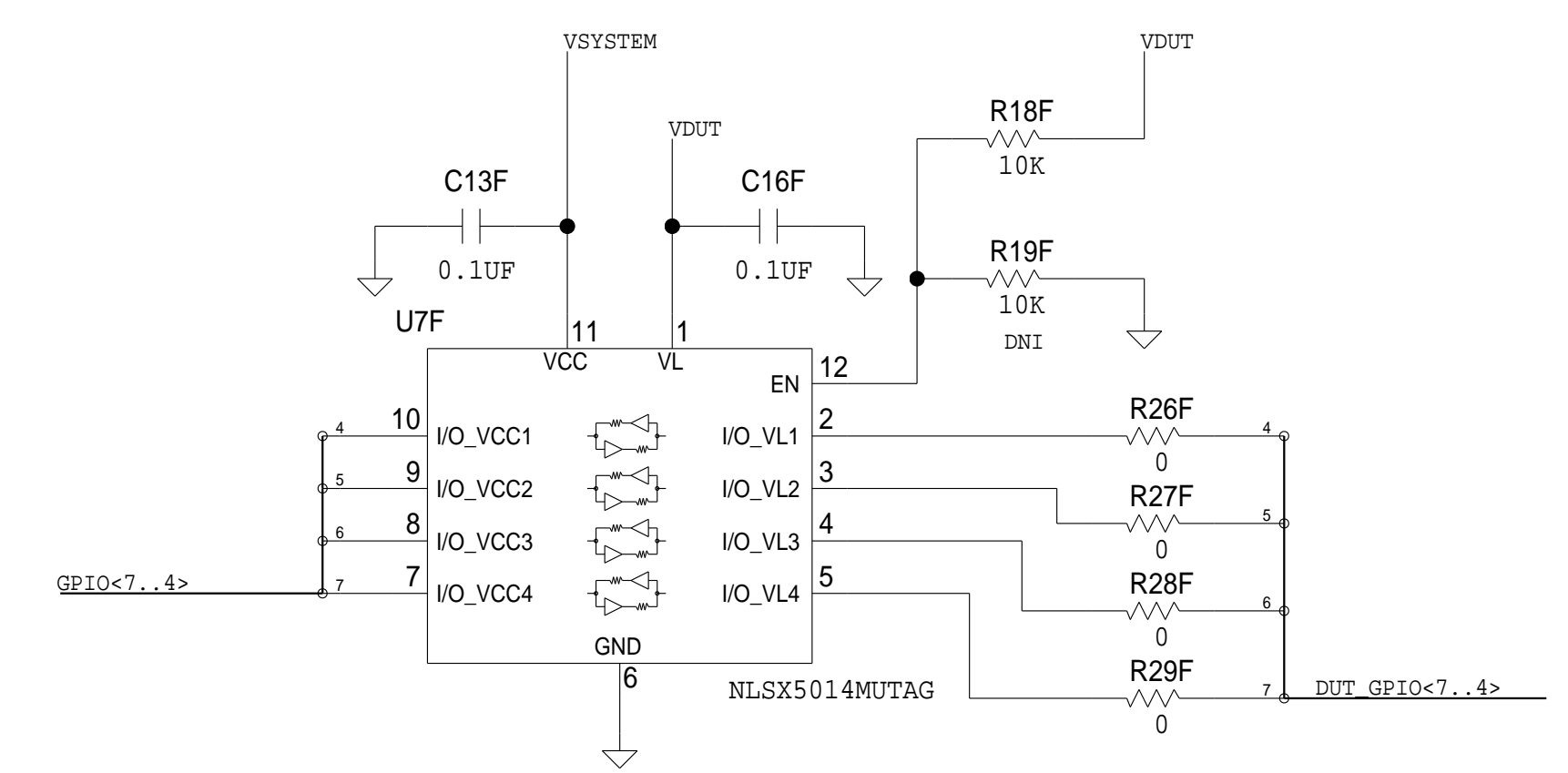
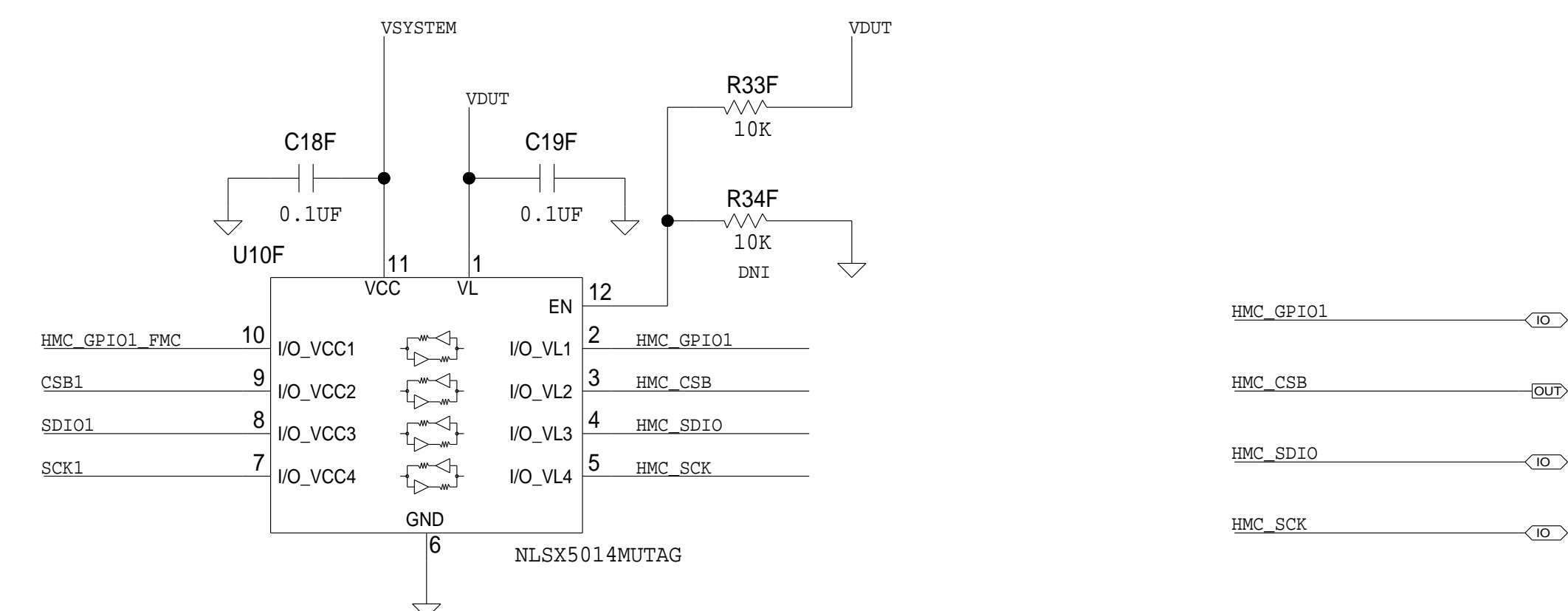
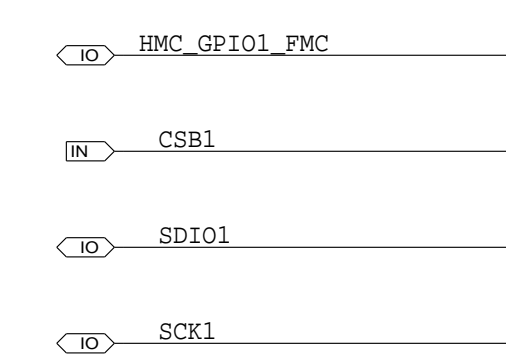
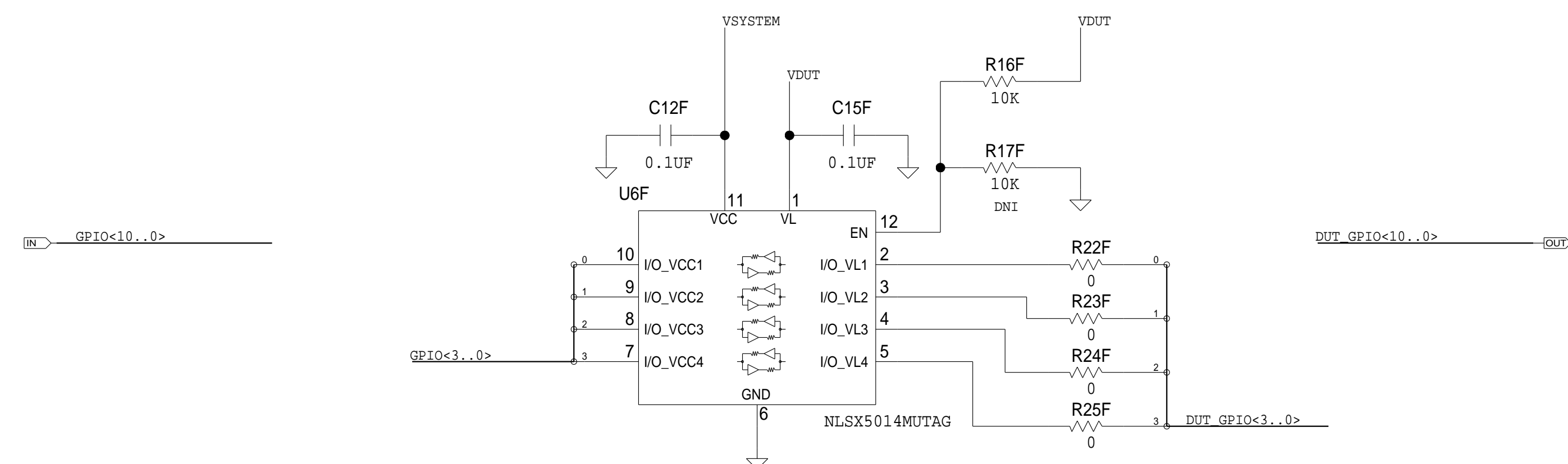
SUPPLIES



	SCHEMATIC		
	HW TYPE : Customer Evaluation Product(s) : MxFE : AD9082BBPZ-4D2AC		
	DESIGN VIEW <DESIGN_VIEW>	DRAWING NO. 02_049648	REV J
	PTD ENGINEER D. DEBOLT	SIZE D	SCALE 1:1
		SHEET 24 OF 30	

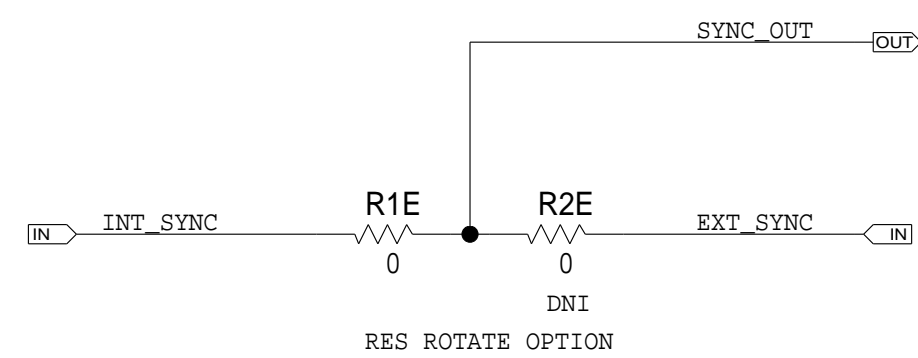
LEVEL SHIFTERS -- PAGE 2 OF 2

REVISIONS			
REV	DESCRIPTION	DATE	APPROVED



	SCHEMATIC		
	HW TYPE : Customer Evaluation Product(s) : MxFE : AD9082BBPZ-4D2AC		
	DESIGN VIEW <DESIGN_VIEW>	DRAWING NO. 02_049648	REV J
	PTD ENGINEER D. DEBOLT	SIZE D	SCALE 1:1
		SHEET 25 OF 30	

SYNC PATH -- PAGE 1 OF 1

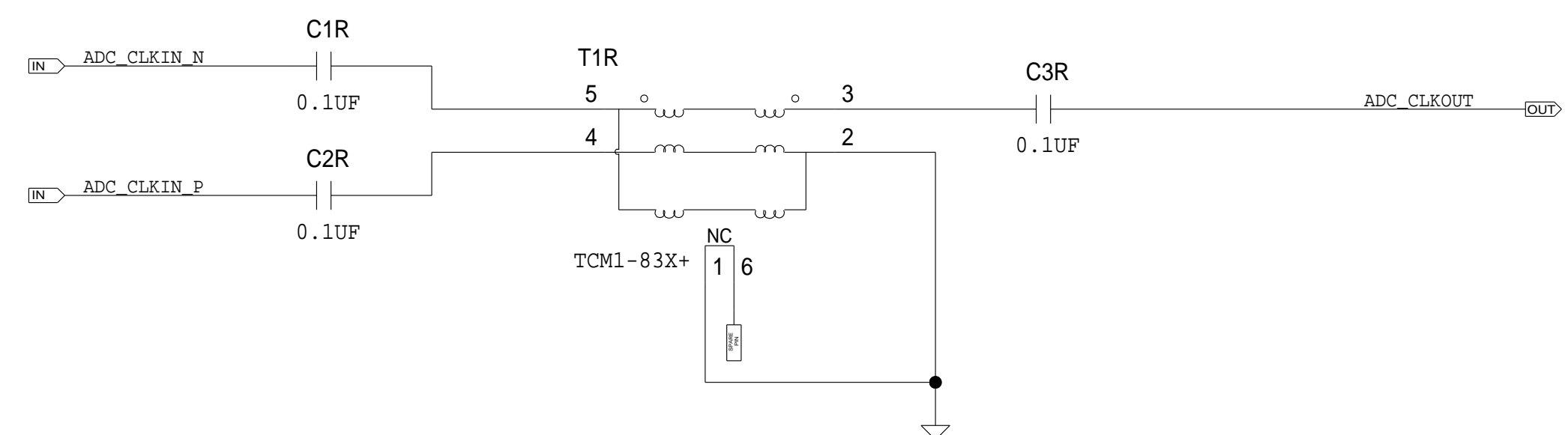


REVISIONS			
REV	DESCRIPTION	DATE	APPROVED

	SCHEMATIC		
	HW TYPE : Customer Evaluation Product(s) : MxFE : AD9082BBPZ-4D2AC		
	DESIGN VIEW <DESIGN_VIEW>	DRAWING NO. 02_049648	REV J
	PTD ENGINEER D. DEBOLT	SIZE D	SCALE 1:1
SHEET 26 OF 30		THE EQUIPMENT SHOWN HEREON MAY BE PROTECTED BY PATENTS OWNED OR CONTROLLED BY ANALOG DEVICES.	

ADC CLOCK DRIVER BALUN -- PAGE 1 OF 1

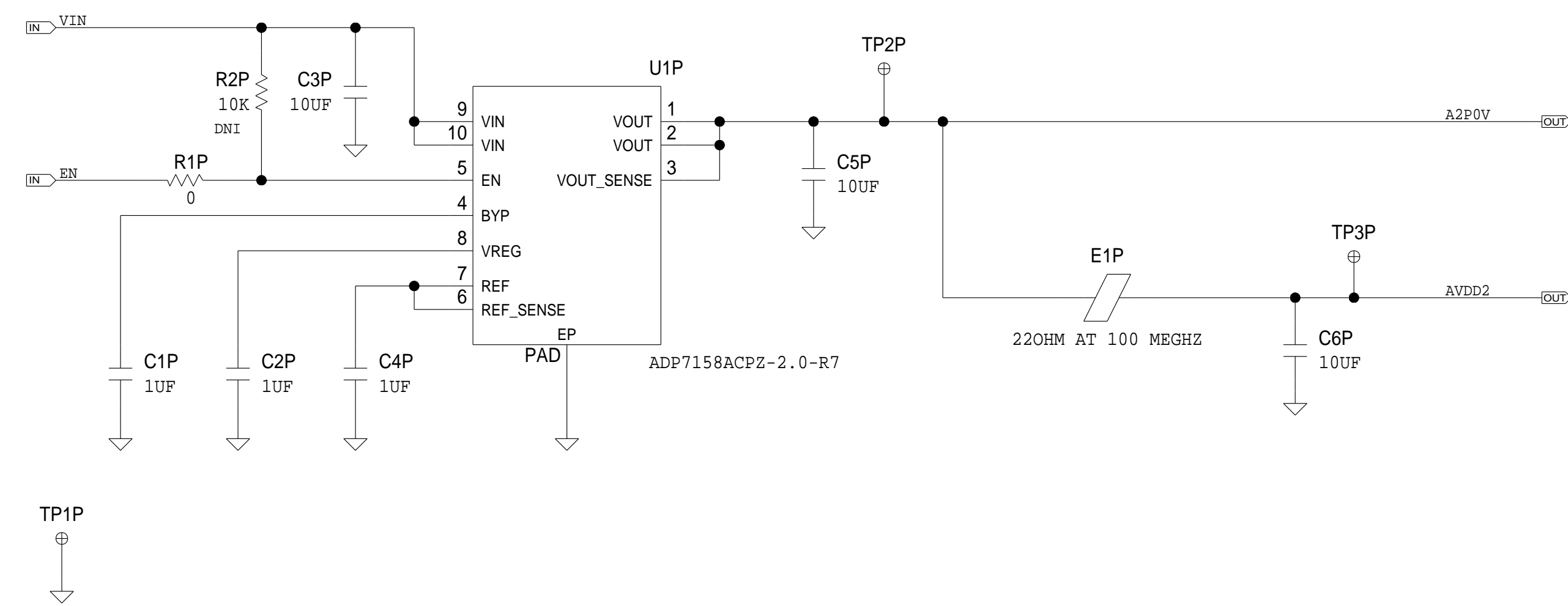
REVISIONS			
REV	DESCRIPTION	DATE	APPROVED



	SCHEMATIC		
	HW TYPE : Customer Evaluation Product(s) : MxFE : AD9082BBPZ-4D2AC		
	DESIGN VIEW <DESIGN_VIEW>	DRAWING NO. 02_049648	REV J
	PTD ENGINEER D. DEBOLT	SIZE D	SCALE 1:1
SHEET 27 OF 30		SHEET 27 OF 30	SHEET 27 OF 30

LDO ANALOG 2P0V -- PAGE 1 OF 1

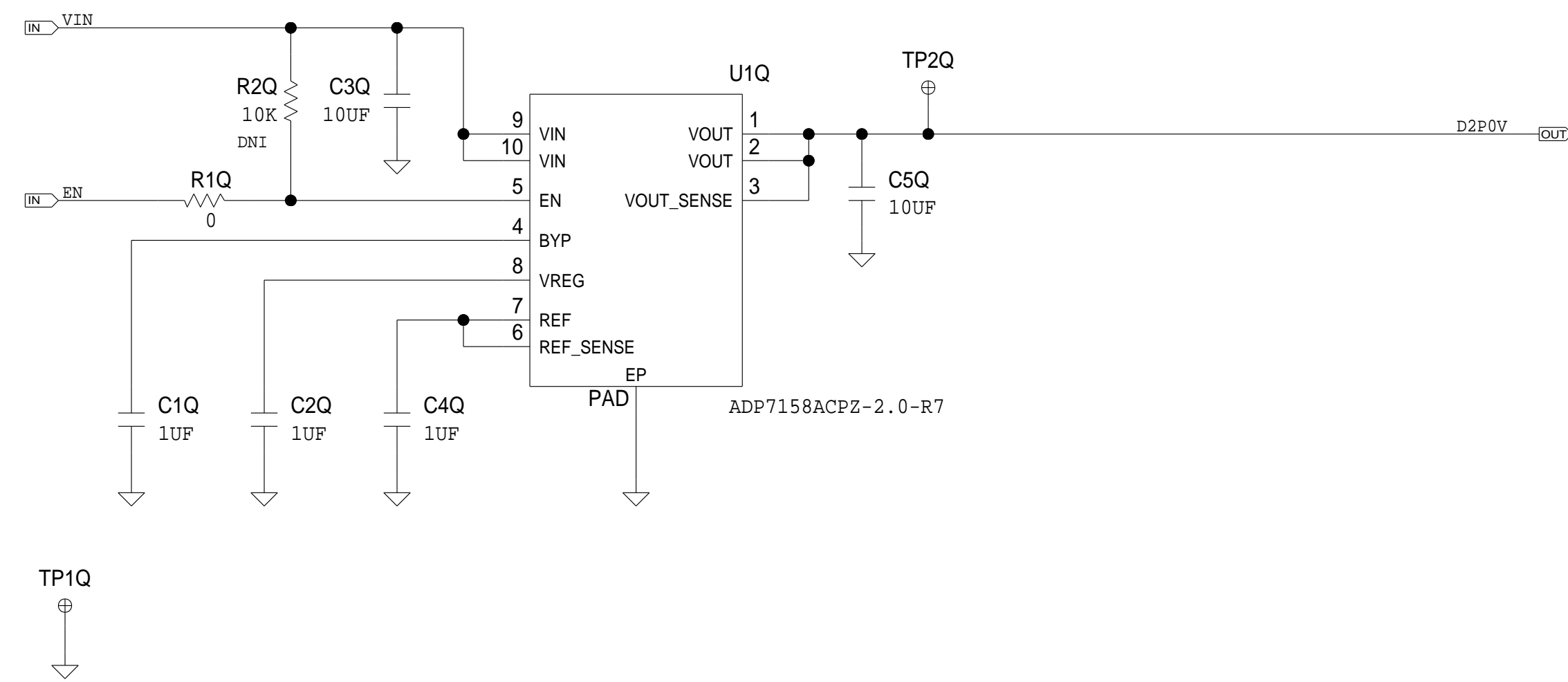
REVISIONS			
REV	DESCRIPTION	DATE	APPROVED



	SCHEMATIC		
	HW TYPE : Customer Evaluation Product(s) : MxFE : AD9082BBPZ-4D2AC		
	DESIGN VIEW <DESIGN_VIEW>	DRAWING NO. 02_049648	REV J
	PTD ENGINEER D. DEBOLT	SIZE D	SCALE 1:1
		SHEET 28 OF 30	

LDO DIGITAL 2P0V -- PAGE 1 OF 1

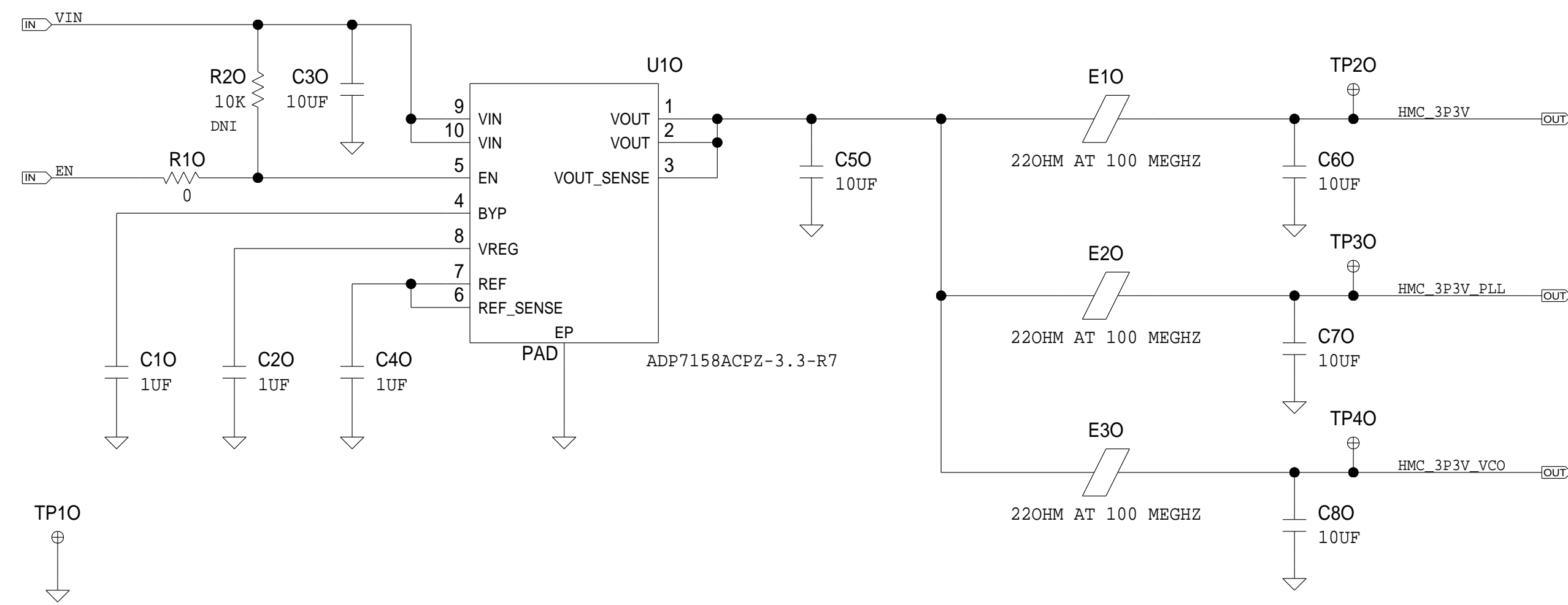
REVISIONS			
REV	DESCRIPTION	DATE	APPROVED



	SCHEMATIC		
	HW TYPE : Customer Evaluation Product(s) : MxFE : AD9082BBPZ-4D2AC		
	DESIGN VIEW <DESIGN_VIEW>	DRAWING NO. 02_049648	REV J
	PTD ENGINEER D. DEBOLT	SIZE D	SCALE 1:1
		SHEET 29 OF 30	

HMC7044 LDO -- PAGE 1 OF 1

REVISIONS			
REV	DESCRIPTION	DATE	APPROVED



	SCHEMATIC		
	HW TYPE : Customer Evaluation Product(s) : MxFE : AD9082BBPZ-4D2AC		
	DESIGN VIEW <DESIGN_VIEW>	DRAWING NO. 02_049648	REV J
	PTD ENGINEER D. DEBOLT	SIZE D	SCALE 1:1
		SHEET 30 OF 30	