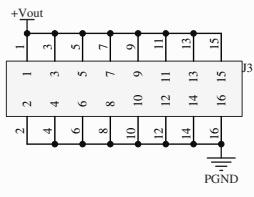
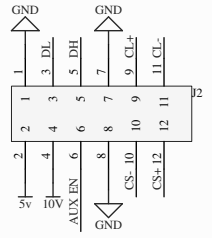
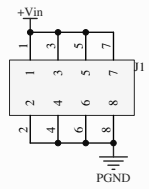
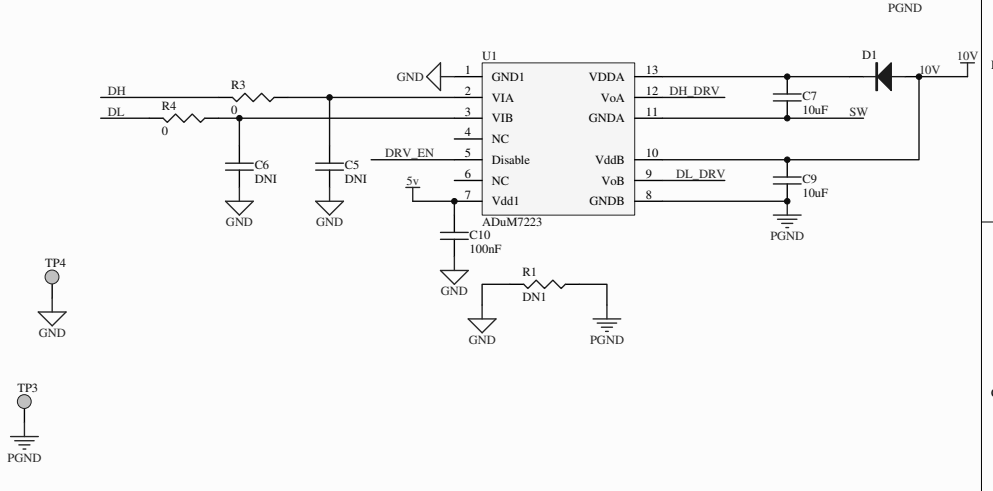
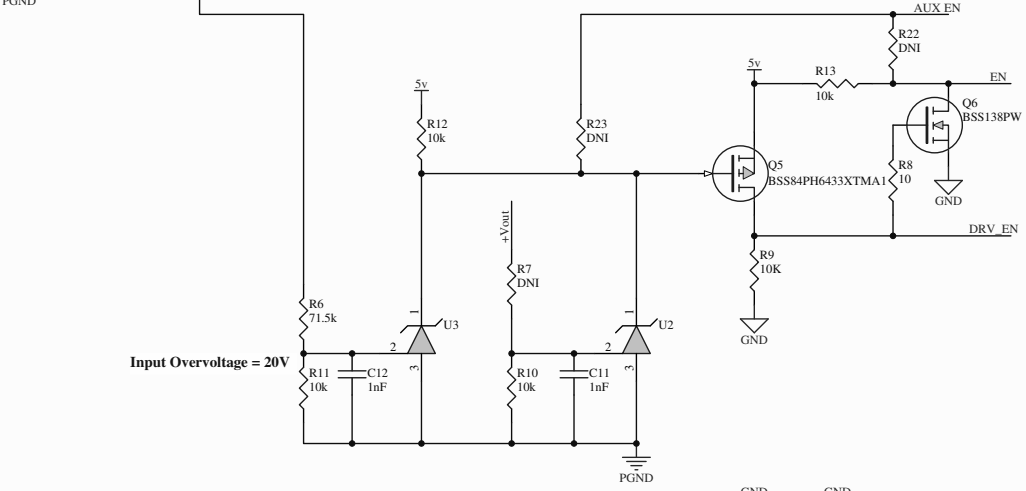
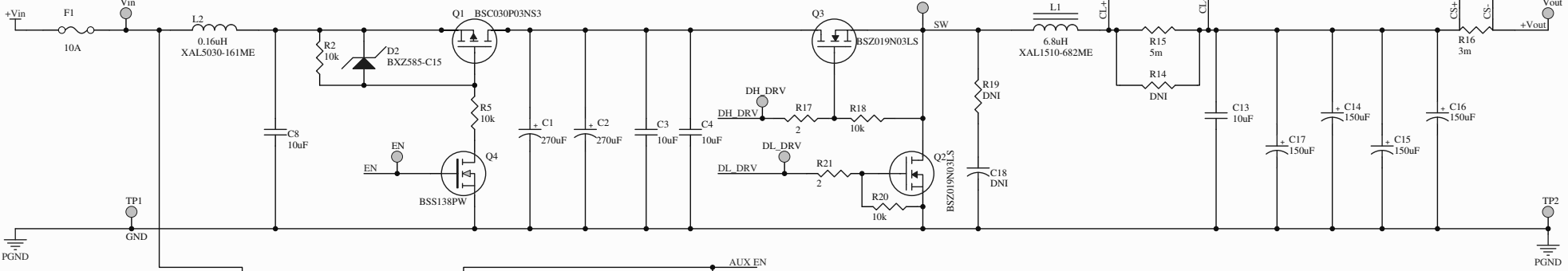


Vin Range (8V to 20V)



AD8452 System Demo 12V Power Module		Analog Devices Inc. Power Apps Fort Collins, Colorado USA		
Size: B	Number: PRD1502	Revision: R2		