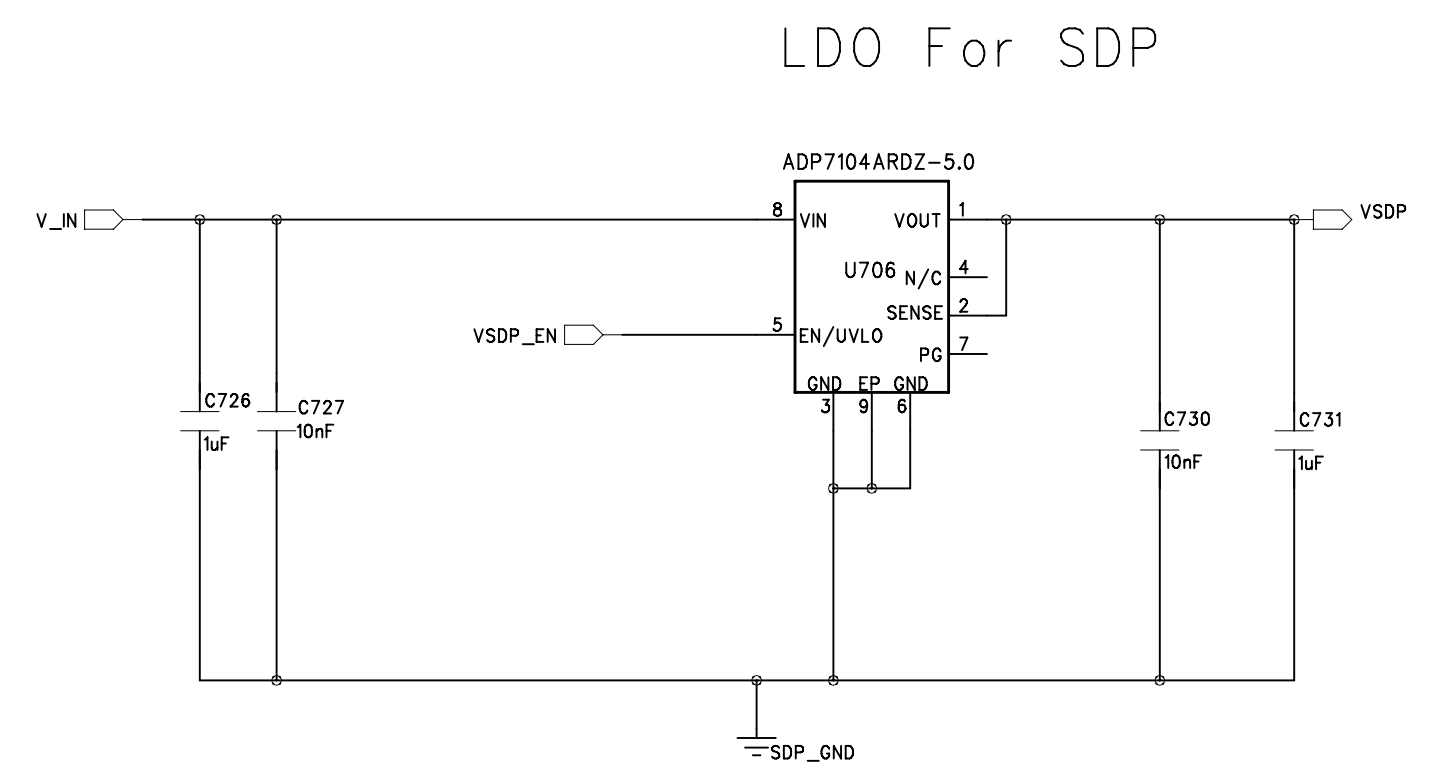
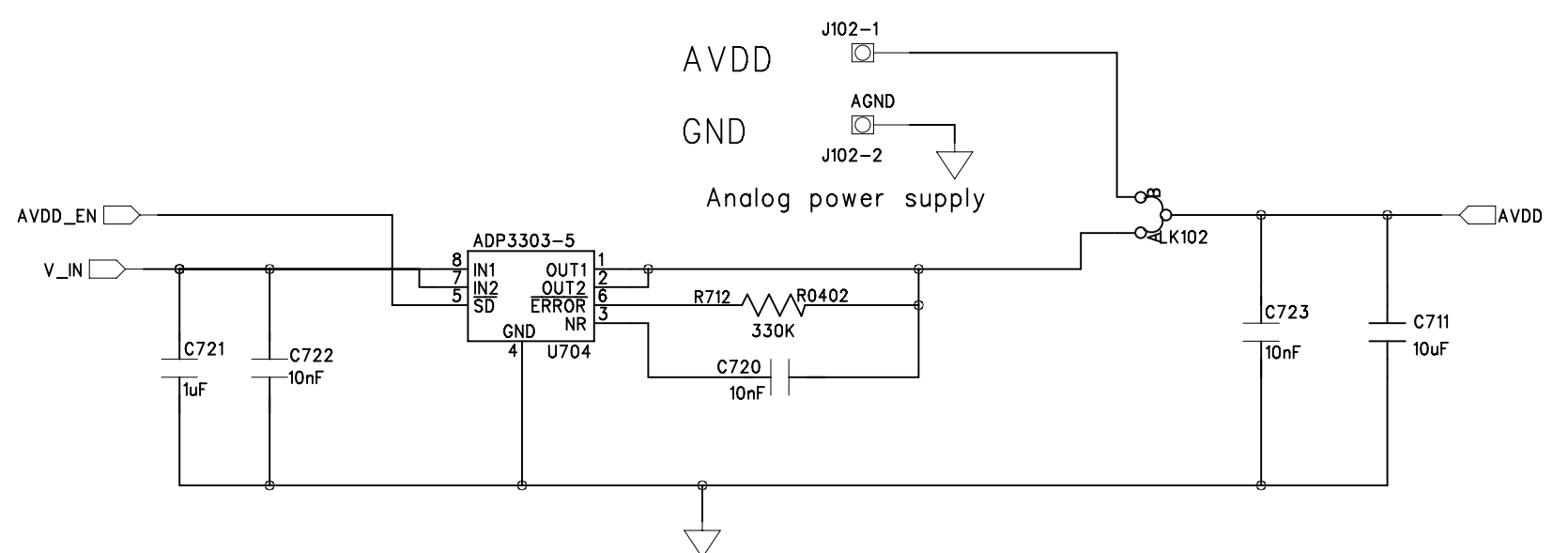
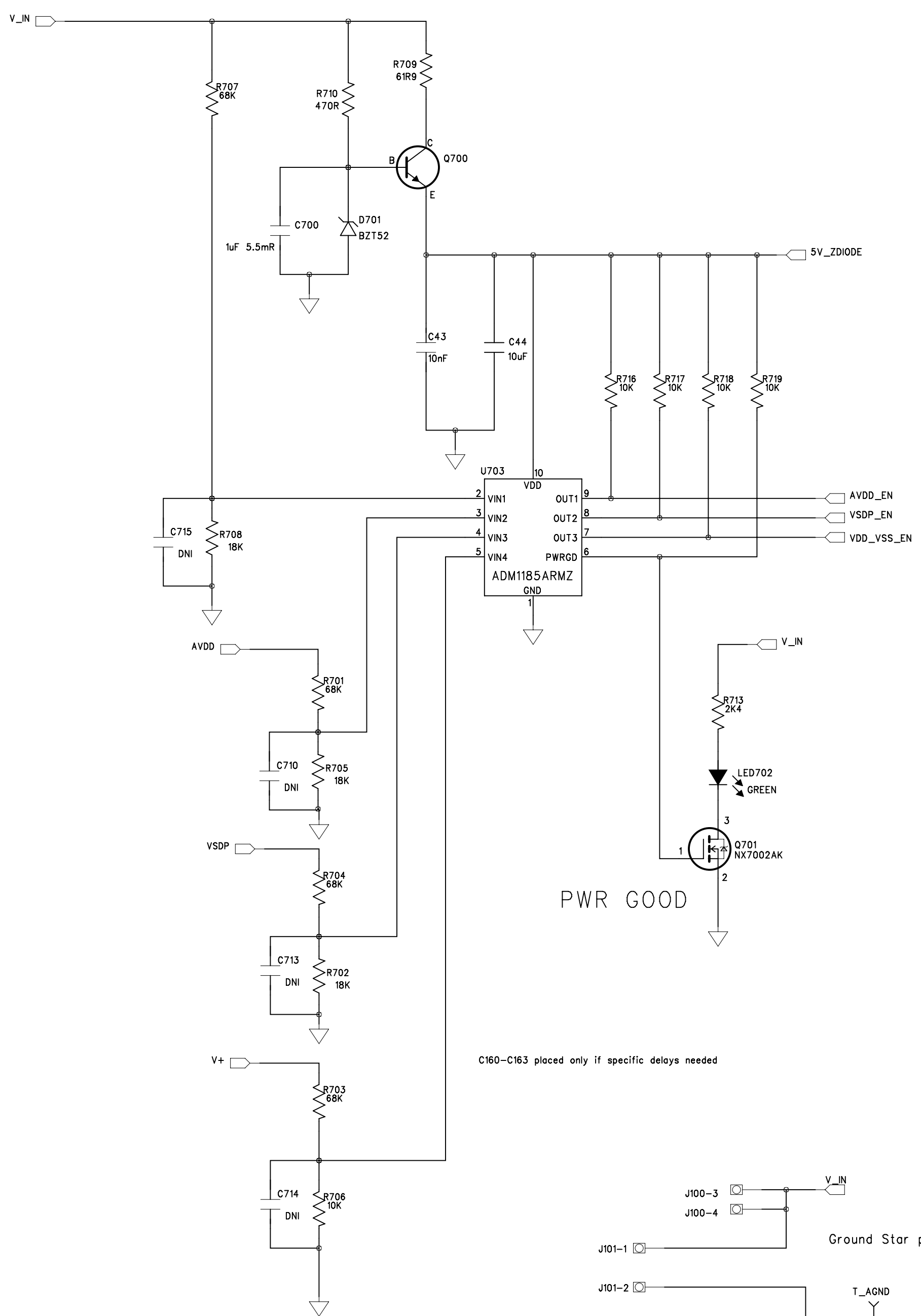
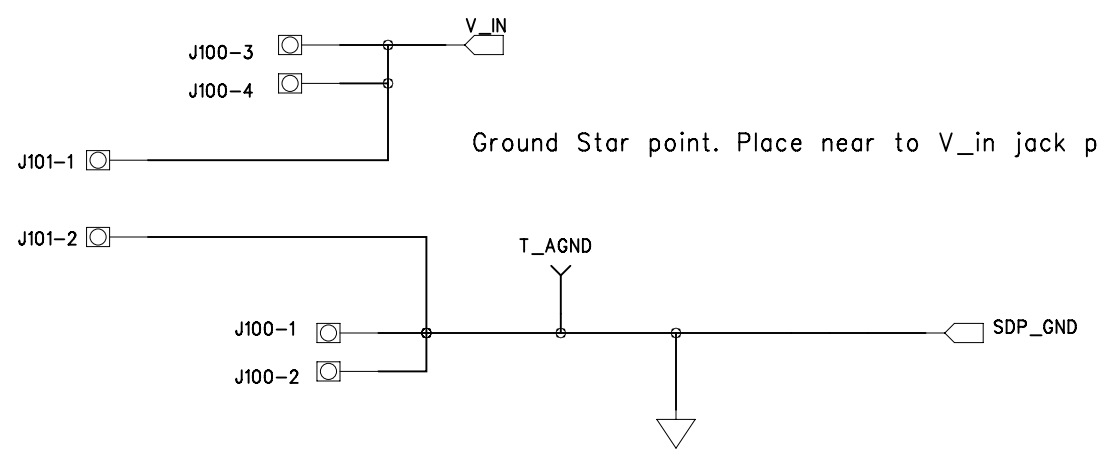


REVISION RECORD			
LTR	ECO NO:	APPROVED:	DATE:
C	ECR-054877	A Frost	11Aug2015



C160-C163 placed only if specific delays needed



Ground Star point. Place near to V_in jack plug J4/ J1

DRAWN: Pat Sheahan	DATED: Aug 2015
CHECKED: Aidan Frost	DATED: Aug 2015
QUALITY CONTROL: <QC By>	DATED: <QC Date>
RELEASED: <Released By>	DATED: <Release Date>

COMPANY: Analog Devices Inc.			
TITLE: EVAL-AD7928SDZ			
CODE: C	SIZE: C	DRAWING NO: 02-039642	REV: C
SCALE: <Scale>			SHEET: 1 OF 5

6

5

4

3

2

1

REVISION RECORD			
LTR	ECO NO:	APPROVED:	DATE:

D

D

C

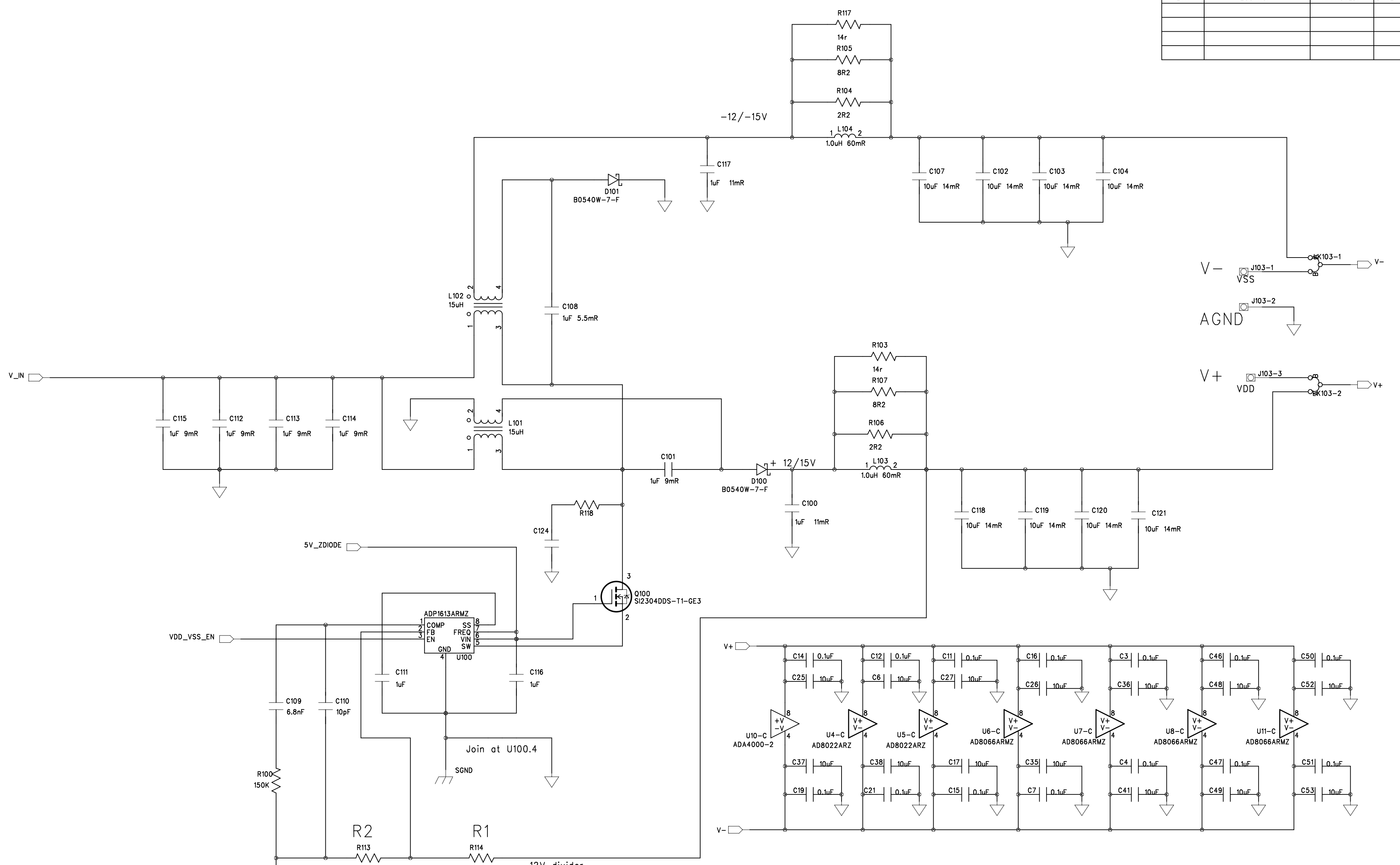
C

B

B

A

A



$$R1 = R2 * ((Vo - 1.235) / 1.235)$$

COMPANY: Analog Devices Inc.

TITLE: EVAL-AD7928SDZ

DRAWN: Pat Sheehan	DATED: Aug 2015
CHECKED: Aidan Frost	DATED: Aug 2015
QUALITY CONTROL: <QC By>	DATED: <QC Date>
RELEASED: <Released By>	DATED: <Release Date>

CODE:	SIZE: C	DRAWING NO: 02-039642	REV: C
SCALE: <Scale>			SHEET: 2 OF 5

6

5

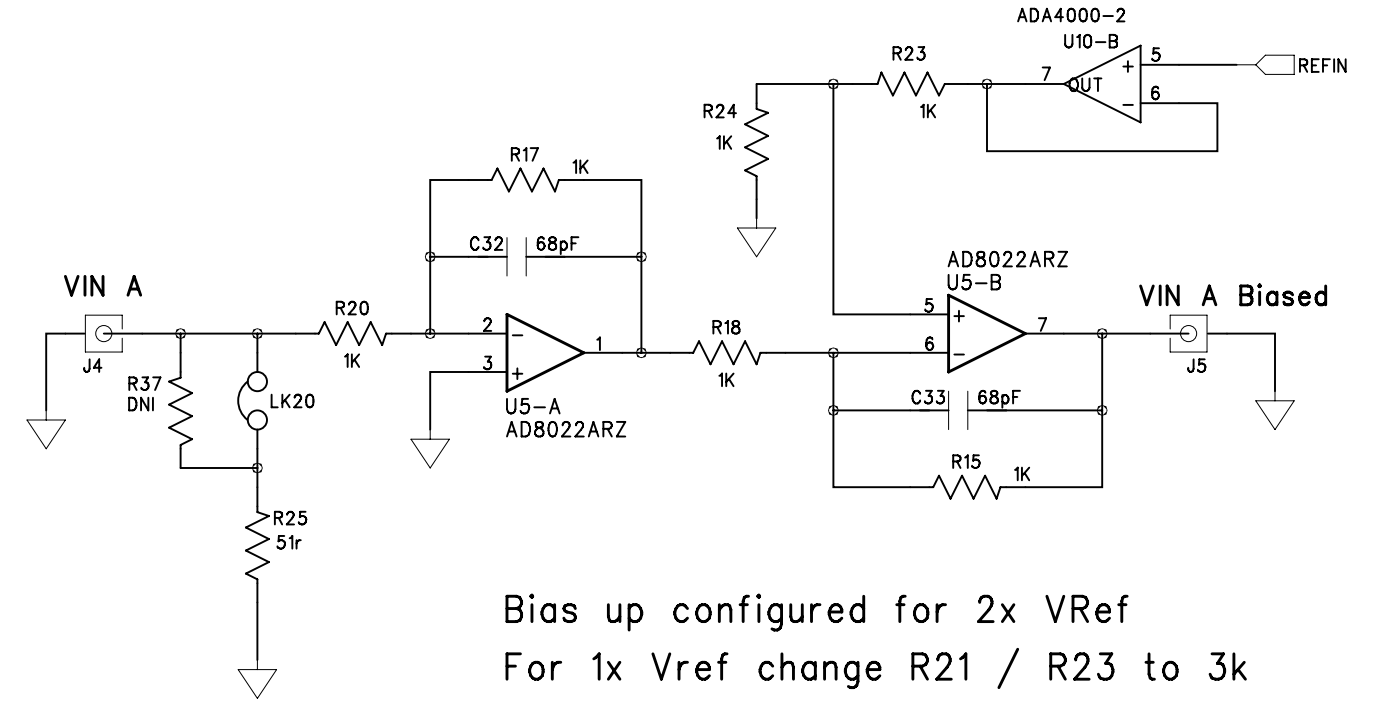
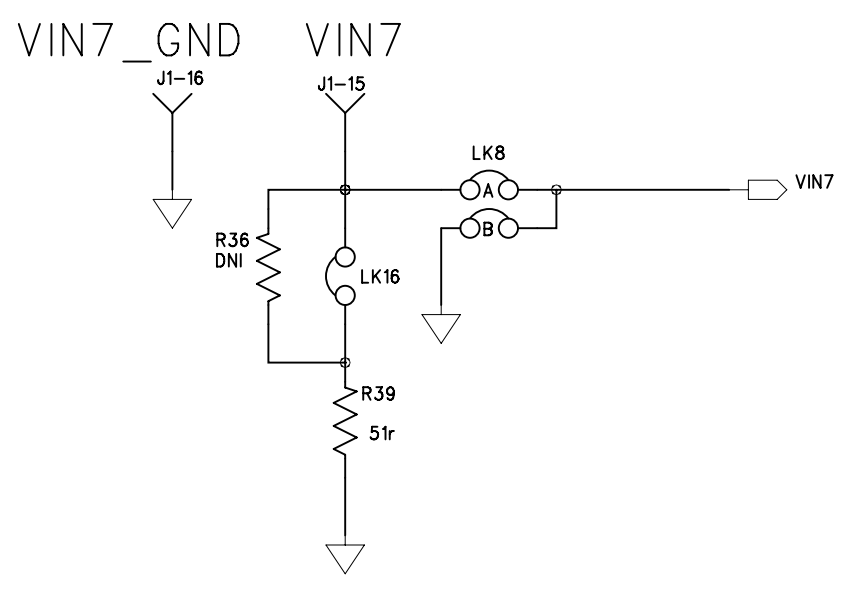
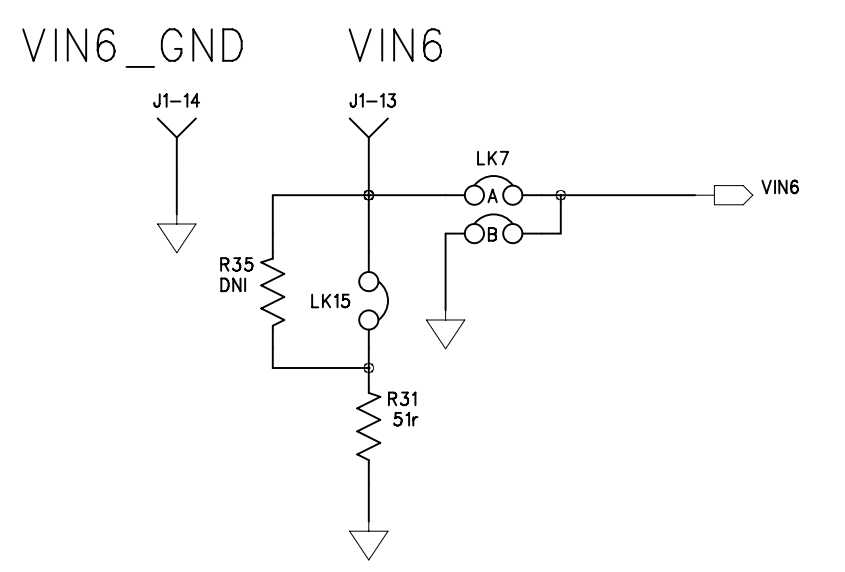
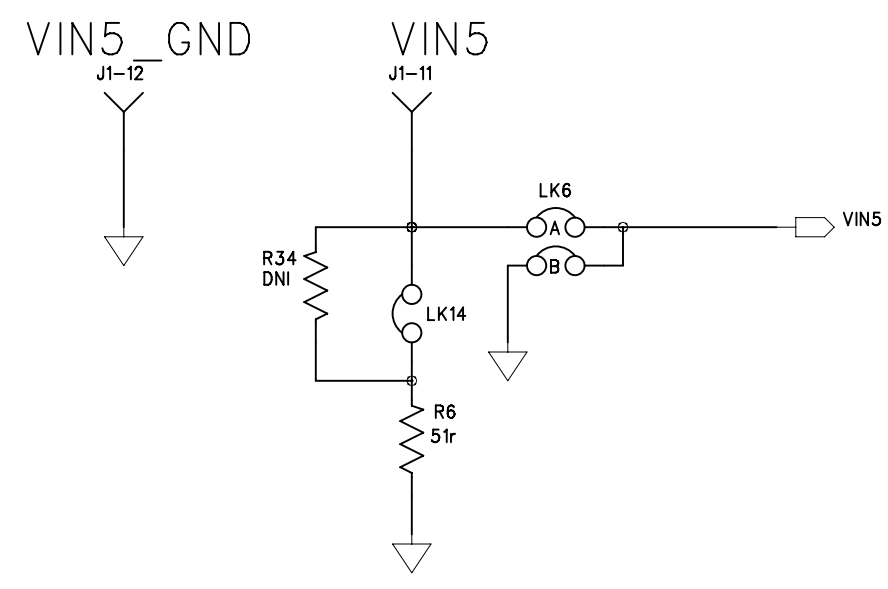
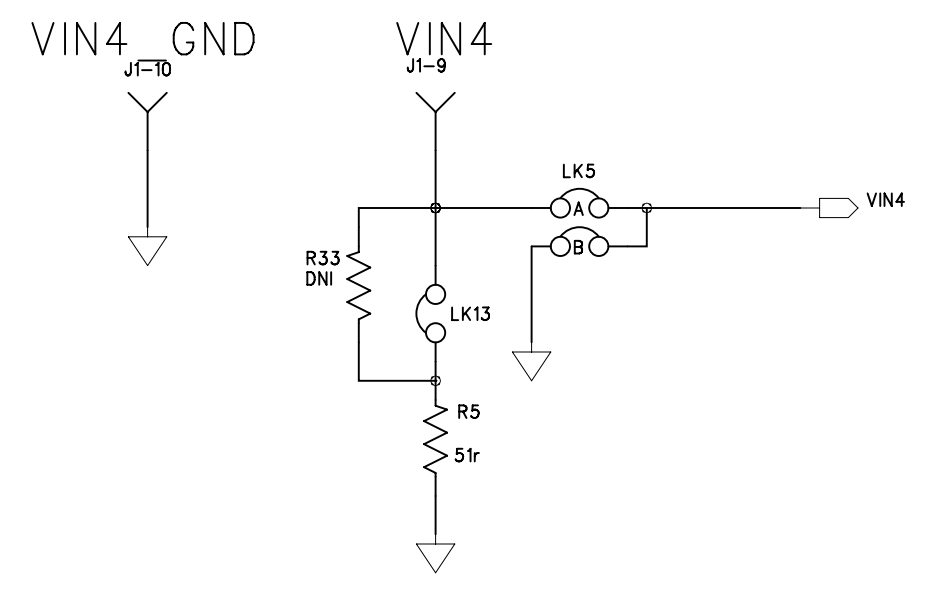
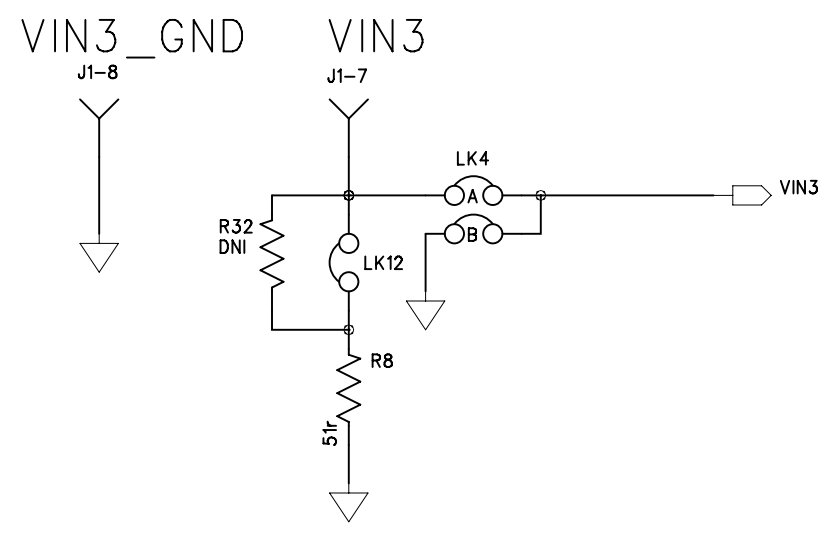
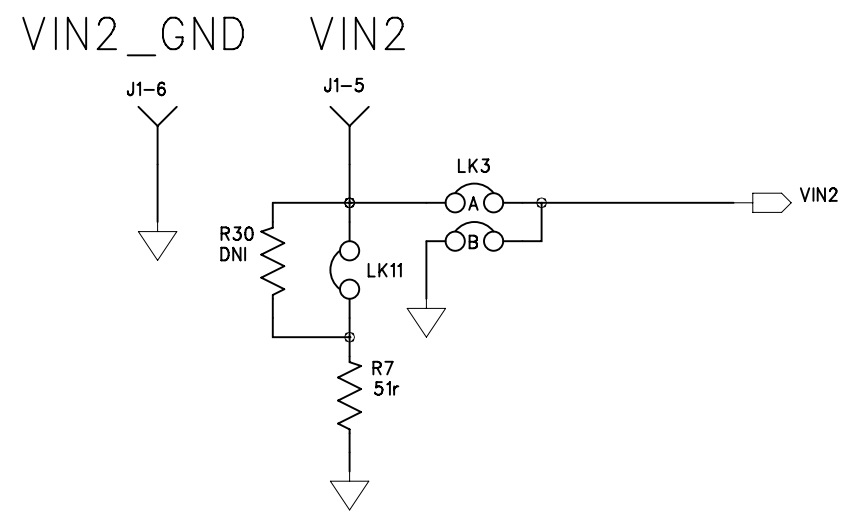
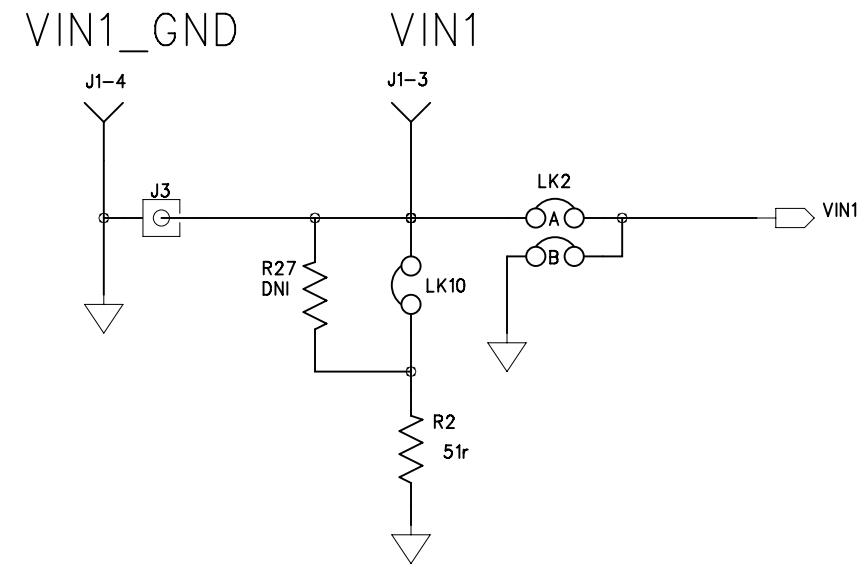
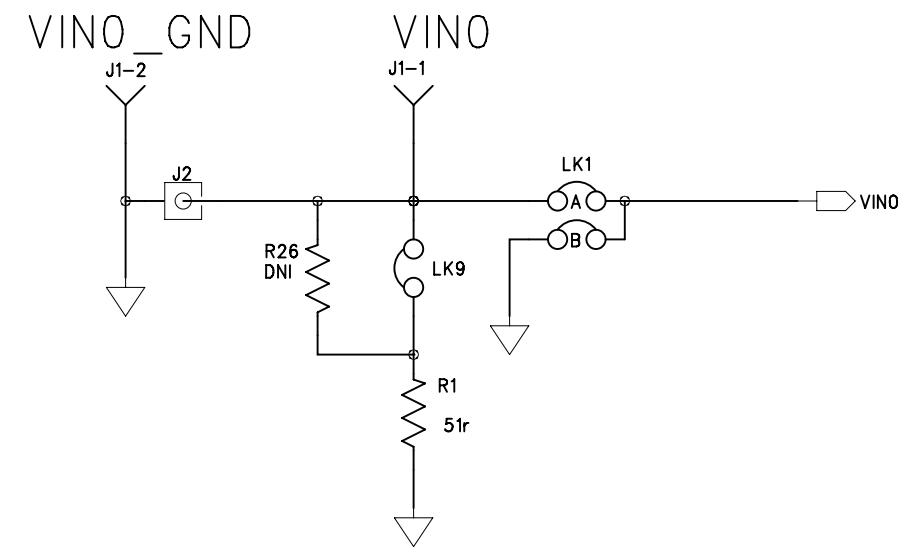
4

3

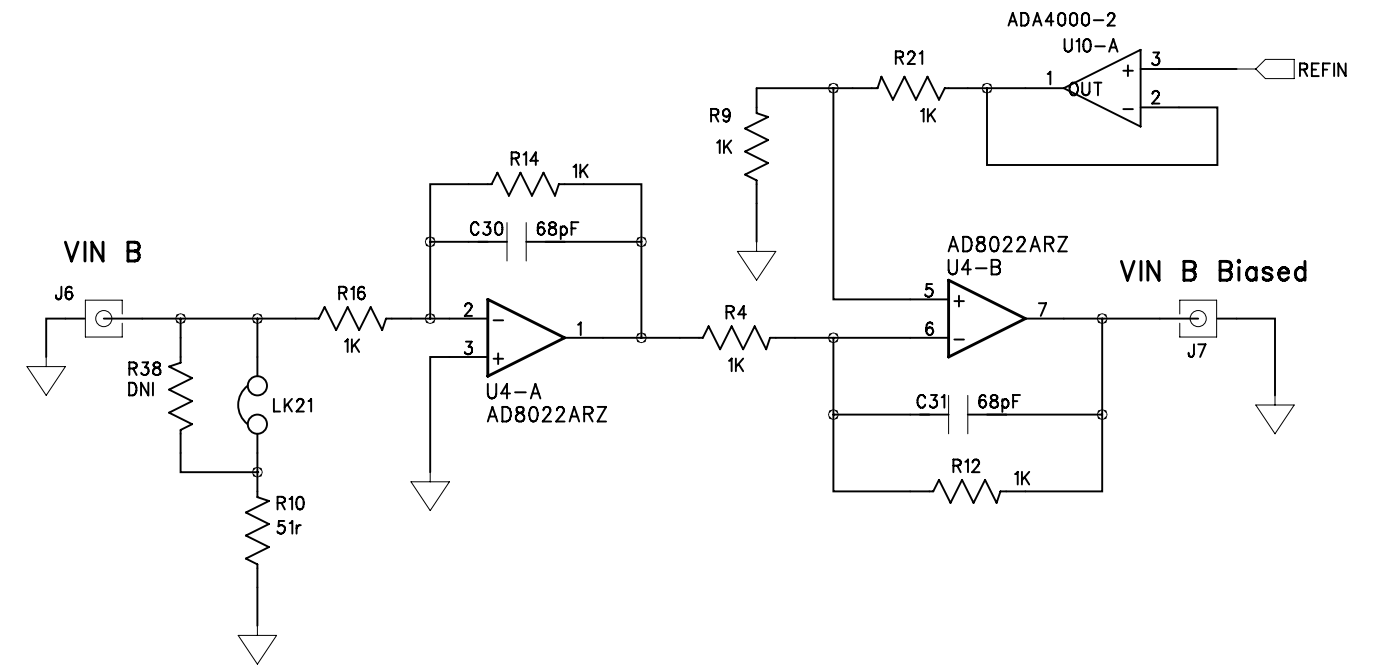
2

1

REVISION RECORD			
LTR	ECO NO:	APPROVED:	DATE:



Bias up configured for 2x Vref
For 1x Vref change R21 / R23 to 3k



COMPANY:				Analog Devices Inc.			
TITLE:				EVAL-AD7928SDZ			
DRAWN:	Pat Sheahan	DATED:	Aug 2015	CODE:	SIZE:	DRAWING NO:	REV:
CHECKED:	Aidan Frost	DATED:	Aug 2015	C		02-039642	C
QUALITY CONTROL:		DATED:					
RELEASED:		DATED:					
SCALE:				SHEET: 3 OF 5			

6

5

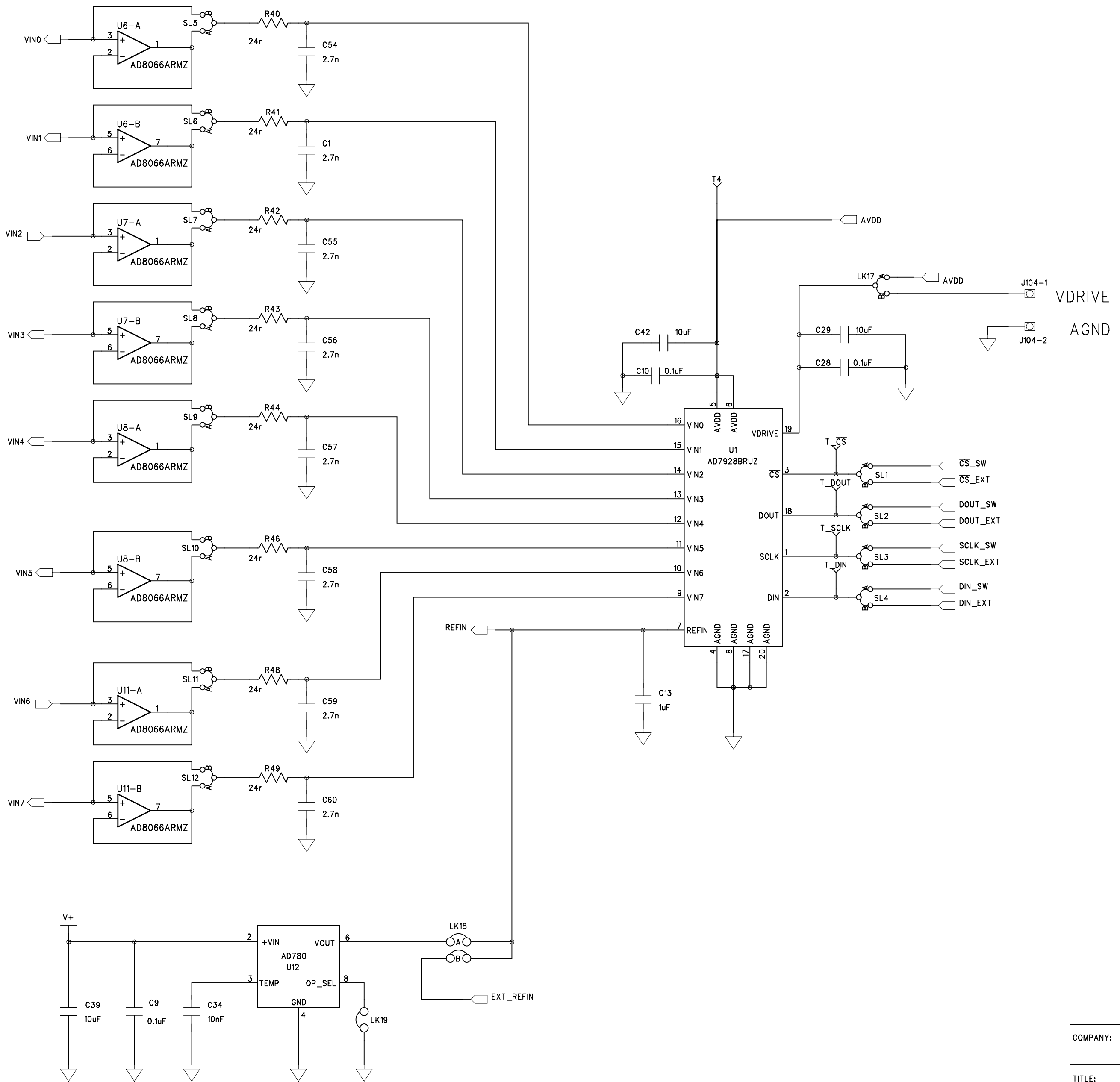
4

3

2

1

REVISION RECORD			
LTR	ECO NO:	APPROVED:	DATE:



COMPANY: Analog Devices Inc.			
TITLE: EVAL-AD7928SDZ			
DRAWN: Pat Sheehan	DATED: Aug 2015	CODE:	REV: C
CHECKED: Aidan Frost	DATED: Aug 2015	SIZE: C	DRAWING NO: 02-039642
QUALITY CONTROL:	DATED:	SHEET: 4 OF 5	
RELEASED:	DATED:	SCALE:	

D

D

C

C

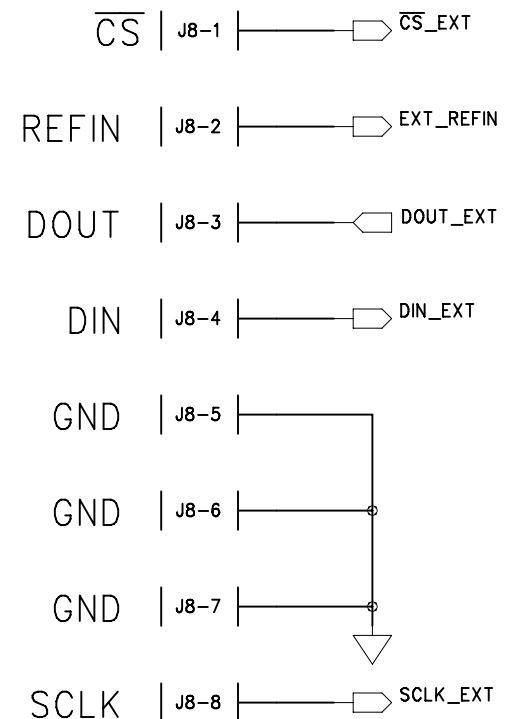
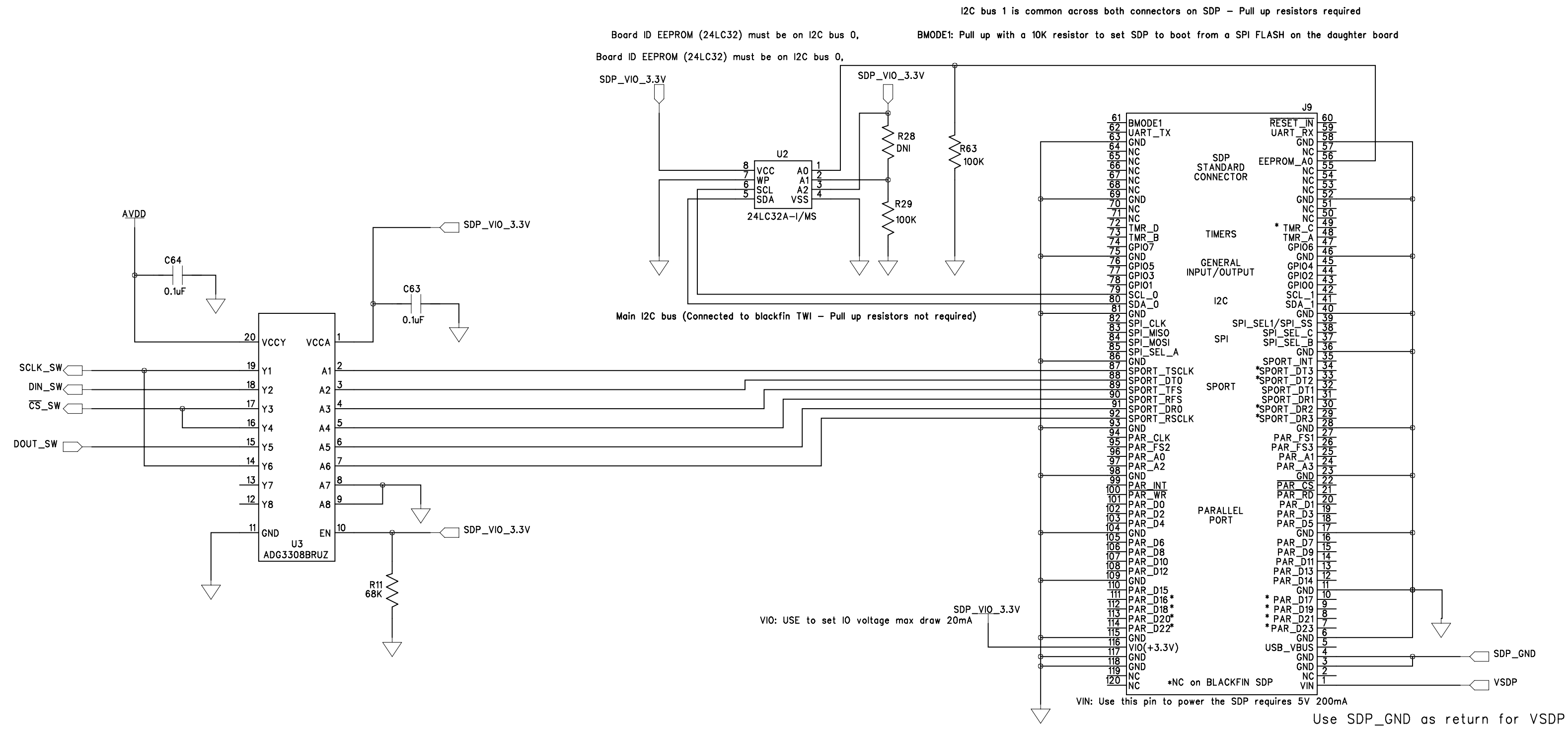
B

B

A

A

REVISION RECORD			
LTR	ECO NO:	APPROVED:	DATE:



DRAWN: Pat Sheahan		DATED: Aug 2015		COMPANY: Analog Devices Inc.	
CHECKED: Aidan Frost		DATED: Aug 2015		TITLE: EVAL-AD7928SDZ	
QUALITY CONTROL: <QC By>	DATED: <QC Date>	CODE:	SIZE: C	DRAWING NO: 02-039642	REV: C
RELEASED: <Released By>	DATED: <Release Date>	SCALE: <Scale>		SHEET: 5 OF 5	