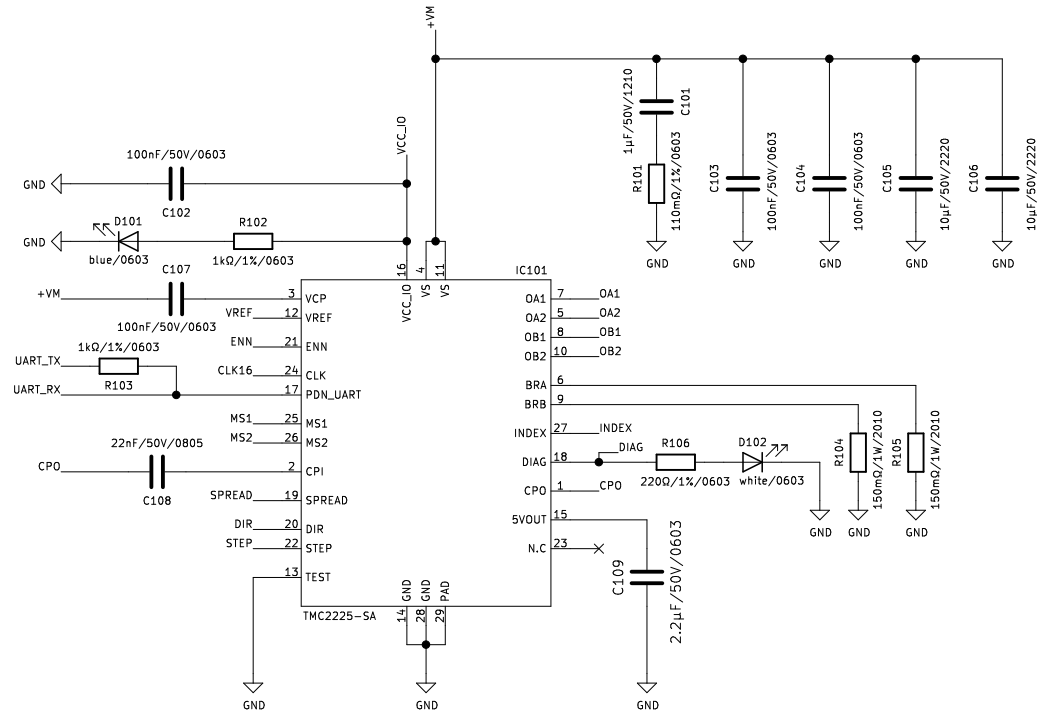
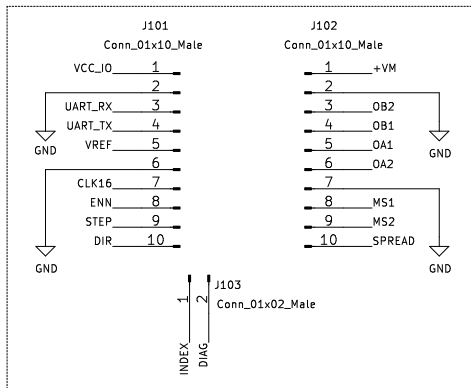


Release history

- First release v1.0. Based on TMC2209-B0B.



Board connections



Trinamic 00

Sheet: /

File: TMC2225-B0B v1.0.sch

Title: TMC2225-B0B

Size: A4

Date: 2019-03-26

Rev: 1.0

KiCad E.D.A. kicad (5.1.2)-2

Id: 1/1