

6

5

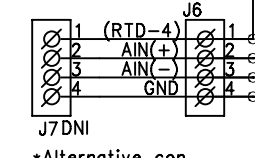
4

3

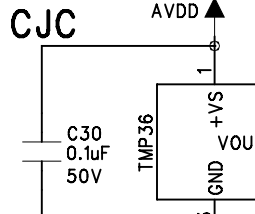
2

1

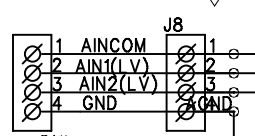
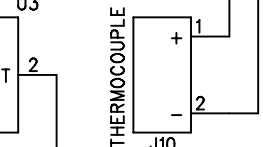
### High Voltage Universal Input



\*Alternative con. Overlapping layout



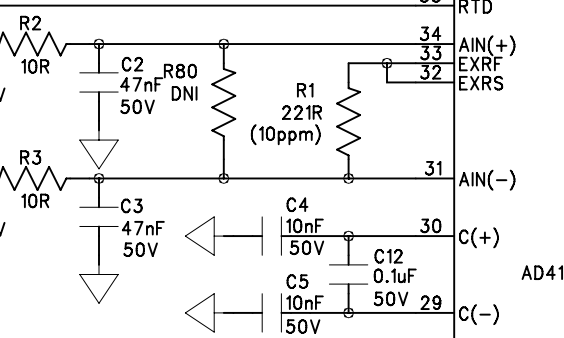
### Thermocouple



\*Alternative con. Overlapping layout

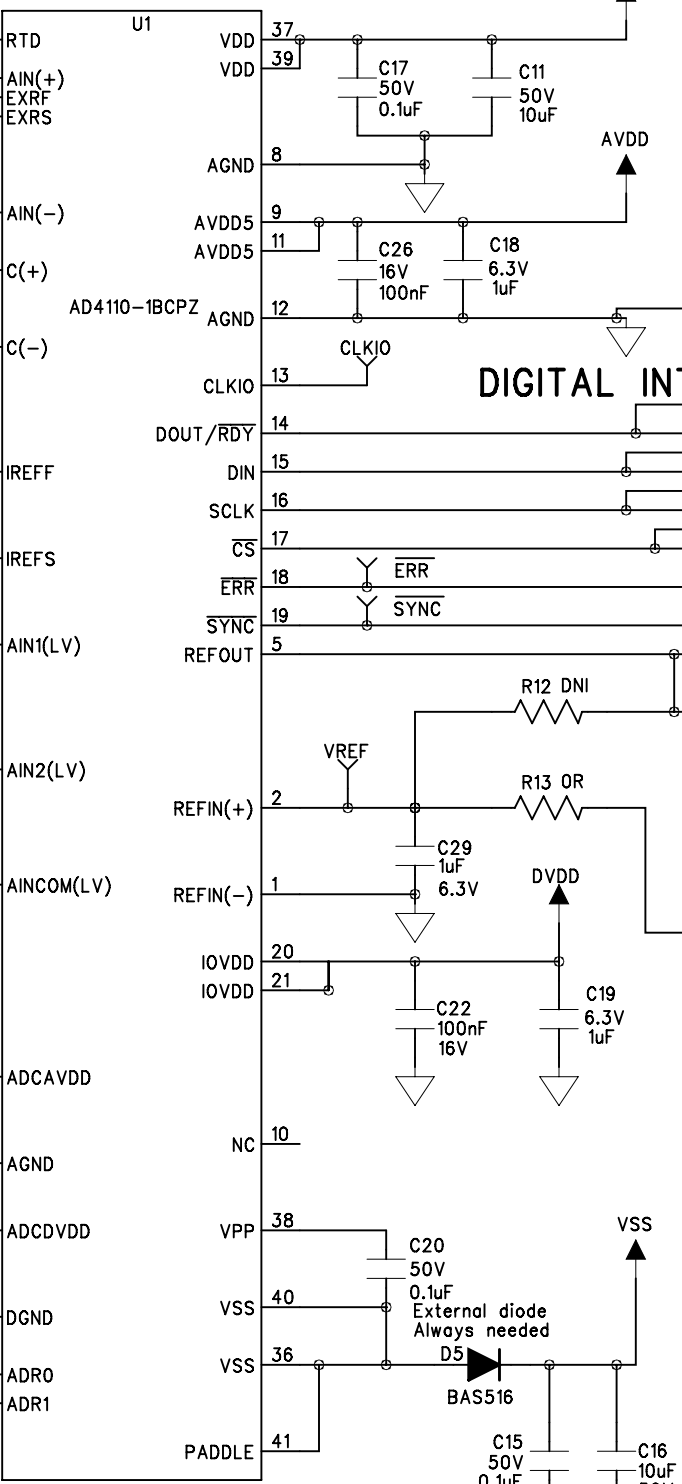
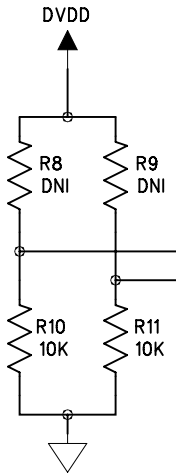
### LV Inputs

### EMC Filters



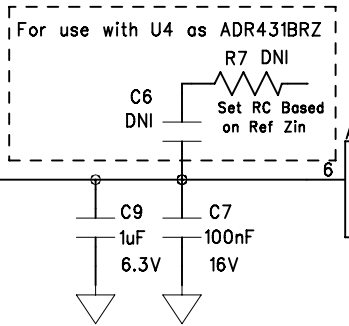
### Device Addr

	ADR1	ADRO
Device0	0	0
Device1	0	1
Device2	1	0
Device3	1	1



### DIGITAL INTERFACE

### VOLTAGE REF.



REVISION RECORD			
LTR	ECO NO:	APPROVED:	DATE:

COMPANY: Analog Devices			
TITLE: EVAL-AD4110-1SDZ			
CODE: n/a	SIZE: A3	DRAWING NO: AD4110-1	REV: A
SCALE: Not to scale			SHEET: 1 of 3

DRAWN: B.Somers	DATED: April 2016
CHECKED: M.Clifford	DATED:
QUALITY CONTROL:	DATED:
RELEASED: M.Madden	DATED:

6

5

4

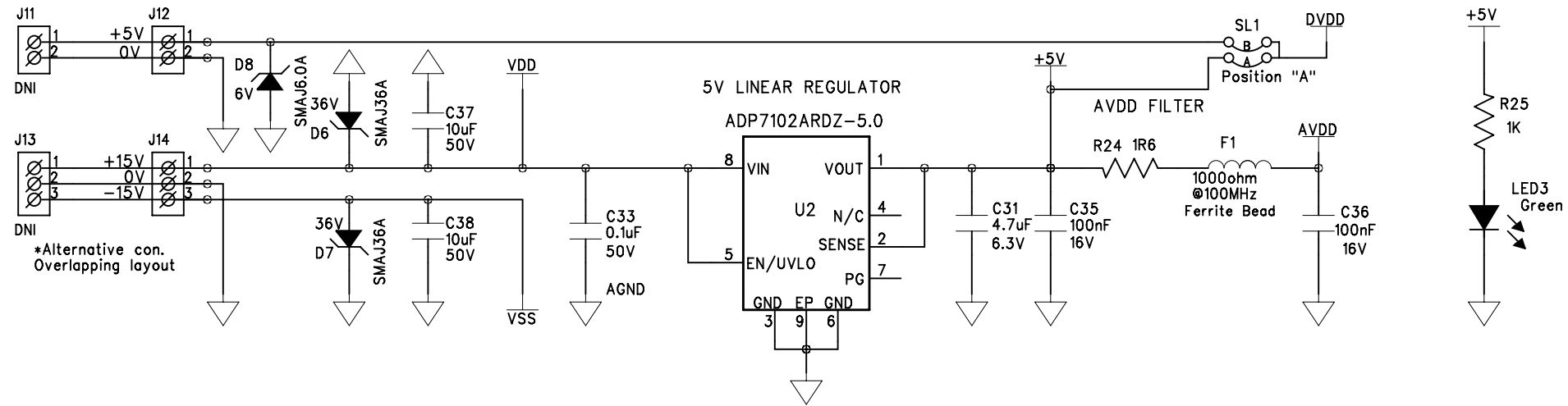
3

2

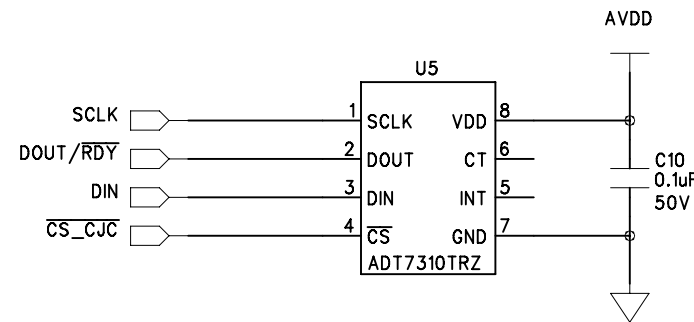
1

REVISION RECORD			
LTR	ECO NO:	APPROVED:	DATE:

### Power Supply



### Alternative CJC



COMPANY:				Analog Devices			
TITLE:				EVAL-AD4110-1SDZ			
CODE:	SIZE:	DRAWING NO:		REV:			
n/a	A3	AD4110-1		A			
RELEASED:				SCALE: Not to scale			
DRAWN:				SHEET: 2 of 3			

CHECKED:	DATED:
M.Clifford	23.04.2013
QUALITY CONTROL:	DATED:
<QC By>	23.04.2013
RELEASED:	DATED:
M.Madden	24.04.2013

D

D

C

C

B

B

A

A

6

5

4

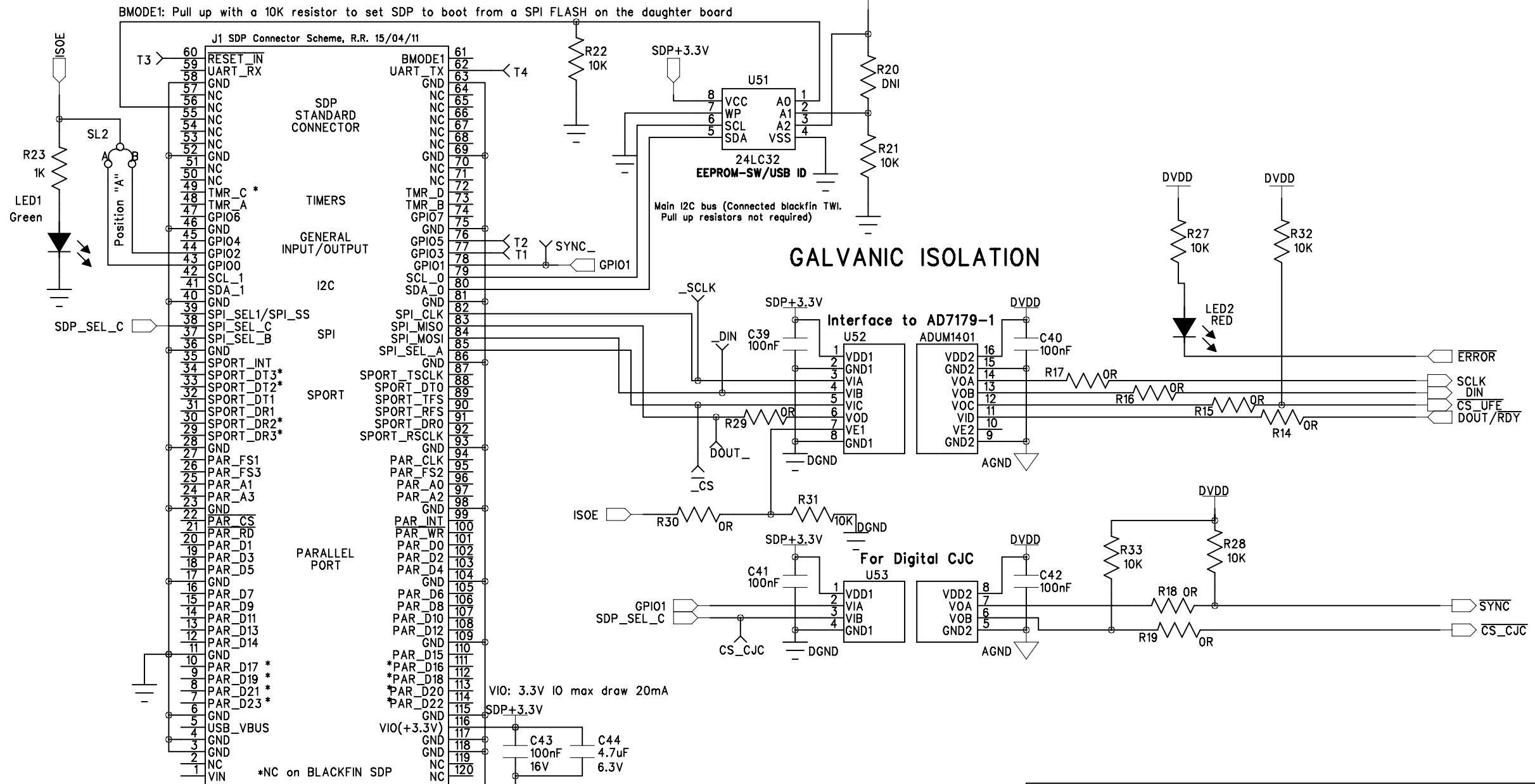
3

2

1

REVISION RECORD			
LTR	ECO NO:	APPROVED:	DATE:

### SDP CONNECTOR



BMODE1: Pull up with a 10K resistor to set SDP to boot from a SPI FLASH on the daughter board

Board ID EEPROM (24LC32) must be on I2C bus 0,  
I2C bus 1 is common across both connectors on SDP - Pull up resistors required  
(connected to blackfin GPIO - use I2C\_0 first)

COMPANY:				Analog Devices			
TITLE:				EVAL-AD4110-1SDZ			
DRAWN:	B.Somers	DATED:	April 2016	CODE:	SIZE:	DRAWING NO:	REV:
CHECKED:	M.Clifford	DATED:	23.04.2013	n/a	A3	AD4110-1	A
QUALITY CONTROL:	<QC By>	DATED:	23.04.2013	SCALE: Not to scale		SHEET: 3 of 3	
RELEASED:	M.Madden	DATED:	24.04.2013				

D

D

C

C

B

B

A

A