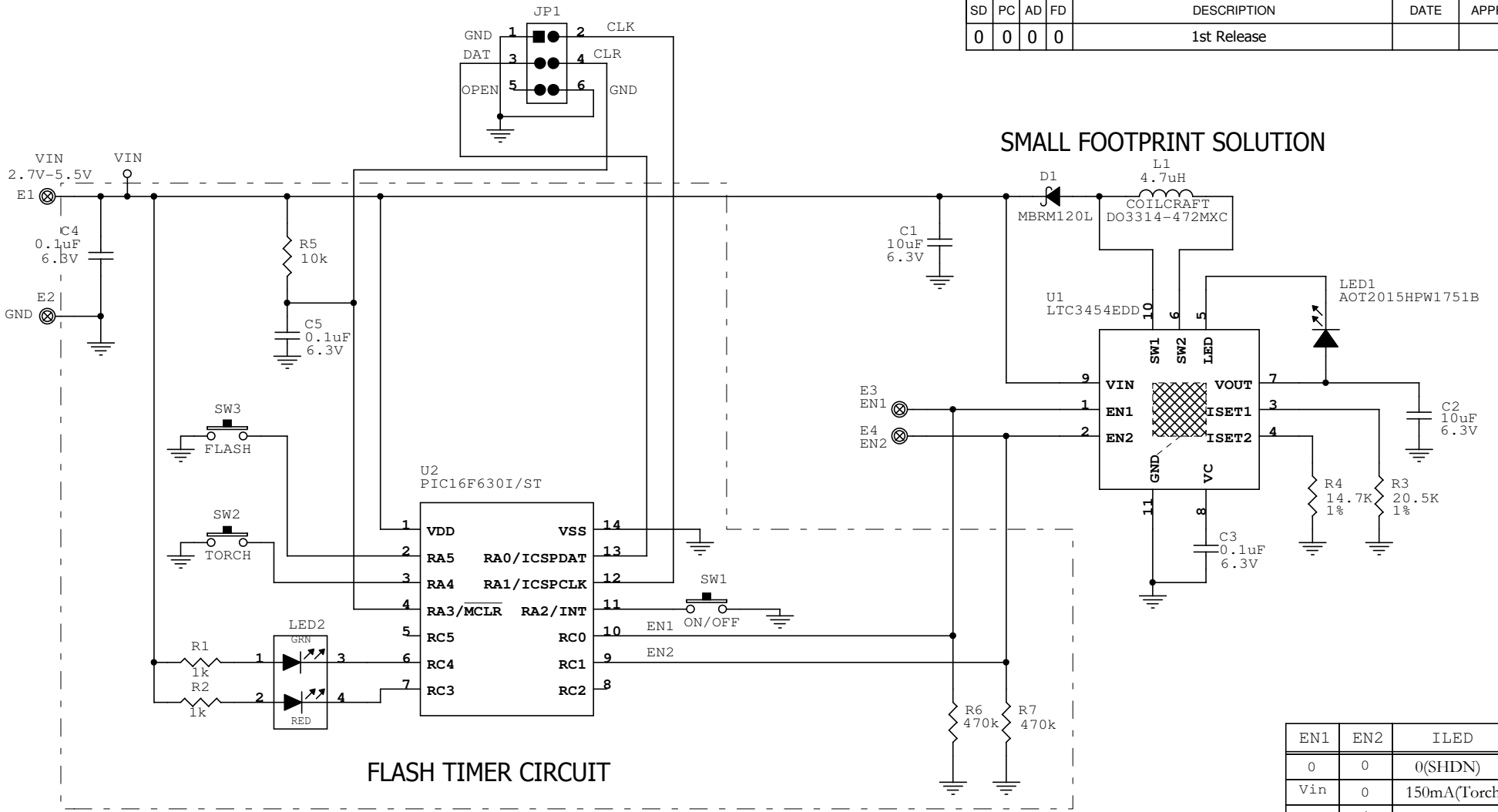


REVISION #				REVISION HISTORY		
SD	PC	AD	FD	DESCRIPTION	DATE	APPROVED
0	0	0	0	1st Release		



EN1	EN2	I LED
0	0	0(SHDN)
Vin	0	150mA(Torch)
0	Vin	200mA
Vin	Vin	350mA(Flash)

**NOTES: UNLESS OTHERWISE SPECIFIED**

- 1. ALL RESISTORS ARE IN OHMS, 0402.

**CUSTOMER NOTICE**  
 LINEAR TECHNOLOGY HAS MADE A BEST EFFORT TO DESIGN A CIRCUIT THAT MEETS CUSTOMER-SUPPLIED SPECIFICATIONS; HOWEVER, IT REMAINS THE CUSTOMER'S RESPONSIBILITY TO VERIFY PROPER AND RELIABLE OPERATION IN THE ACTUAL APPLICATION. COMPONENT SUBSTITUTION AND PRINTED CIRCUIT BOARD LAYOUT MAY SIGNIFICANTLY AFFECT CIRCUIT PERFORMANCE OR RELIABILITY. CONTACT LINEAR TECHNOLOGY APPLICATIONS ENGINEERING FOR ASSISTANCE.

THIS CIRCUIT IS PROPRIETARY TO LINEAR TECHNOLOGY AND SUPPLIED FOR USE WITH LINEAR TECHNOLOGY PARTS.

CONTRACT NO.	
APPROVALS	DATE
DRAWN Rudy Bautista	<Date>
CHECKED	
APPROVED	
ENGINEER BRIAN SHAFFER	<Date>
DESIGNER	
Thursday, July 23, 2009	

1630 McCarthy Blvd.  
 Milpitas, CA 95035  
 Phone: (408)432-1900  
 Fax: (408)434-0507

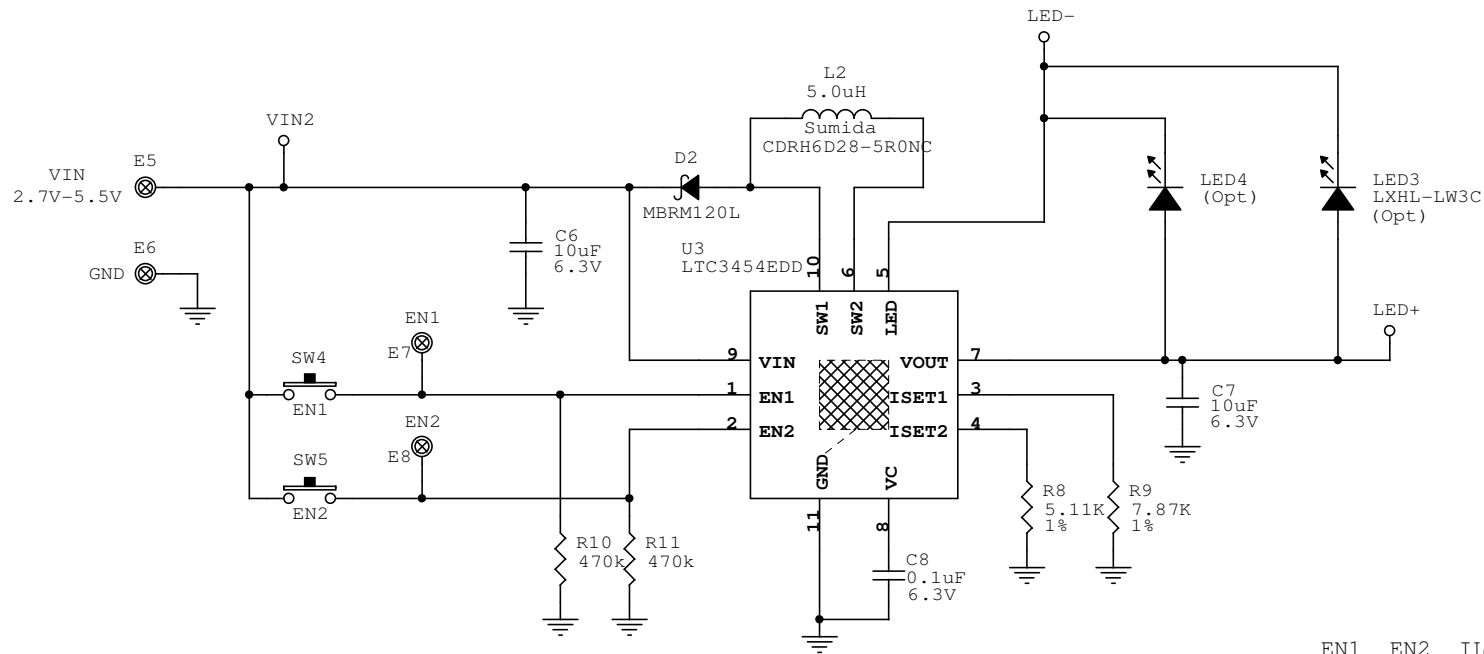
www.linear.com  
 LTC Confidential -  
 For Customer Use Only

**TITLE: LTC3454EDD**

**HIGH EFFICIENCY BUCK-BOOST FLASH LED DRIVER**

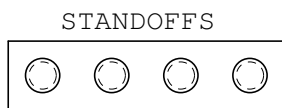
SIZE	CAGE CODE	DWG NO	<b>DEMO CIRCUIT 875B</b>	<b>REV 0</b>
	SD			

FILENAME: C:\ORCADWIN\CAPTURE\0875B\875B\_REV0.DSN SHEET 1 OF 2



### HIGH CURRENT SOLUTION

EN1	EN2	ILED
		0(SHDN)
		400mA
		600mA
		1A



<p><b>CUSTOMER NOTICE</b></p> <p>LINEAR TECHNOLOGY HAS MADE A BEST EFFORT TO DESIGN A CIRCUIT THAT MEETS CUSTOMER-SUPPLIED SPECIFICATIONS; HOWEVER, IT REMAINS THE CUSTOMER'S RESPONSIBILITY TO VERIFY PROPER AND RELIABLE OPERATION IN THE ACTUAL APPLICATION. COMPONENT SUBSTITUTION AND PRINTED CIRCUIT BOARD LAYOUT MAY SIGNIFICANTLY AFFECT CIRCUIT PERFORMANCE OR RELIABILITY. CONTACT LINEAR TECHNOLOGY APPLICATIONS ENGINEERING FOR ASSISTANCE.</p> <p>THIS CIRCUIT IS PROPRIETARY TO LINEAR TECHNOLOGY AND SUPPLIED FOR USE WITH LINEAR TECHNOLOGY PARTS.</p>	CONTRACT NO.		<p>1630 McCarthy Blvd. Milpitas, CA 95035 Phone: (408)432-1900 Fax: (408)434-0507</p> <p>www.linear.com LTC Confidential - For Customer Use Only</p>	
	APPROVALS	DATE		
	DRAWN <i>Rudy Bautista</i>	<Date>	TITLE: LTC3454EDD	
	CHECKED		HIGH EFFICIENCY BUCK-BOOST FLASH LED DRIVER	
APPROVED		SIZE CAGE CODE DWG NO		
ENGINEER BRIAN SHAFFER	<Date>	SD	DEMO CIRCUIT 875B	REV 0
DESIGNER		FILENAME: C:\ORCAD\WINCAPTURE\0875B\875B_REV0.DSN	SHEET 2 OF 2	
	Thursday, July 23, 2009			