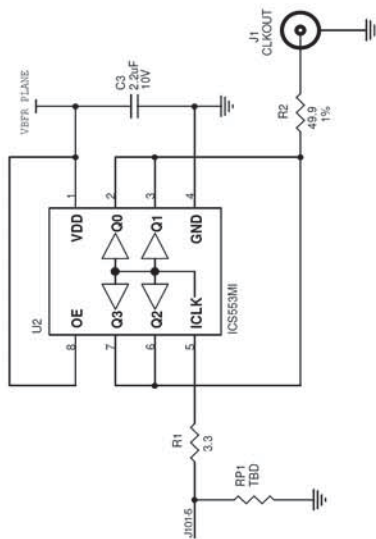
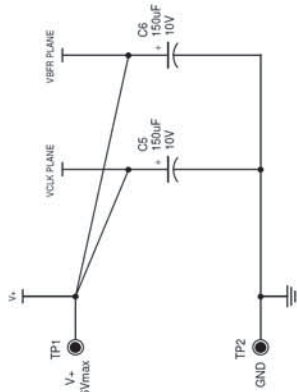
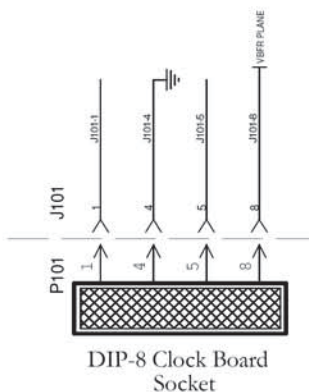
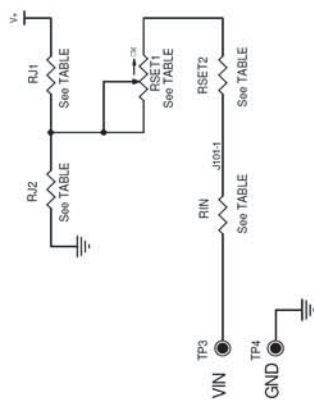


DC814 QUICK START GUIDE

TABLE . Clock Buffer Board Configuration

Clock Buffer Board	DIP-8 Clock Board	LTC Part #	RSET1	RSET2	RJ1	RJ2	RIN
DC814A-A	DC814B-A	LTC6905CS5	20K POT	9.09K	0 OHM	OPEN	40.2K
DC814A-B	DC814B-B	LTC1799CS5	1M POT	3.01K	0 OHM	OPEN	14.7K
DC814A-C	DC814B-C	LTC6900CS5	2M POT	9.09K	0 OHM	OPEN	40.2K
DC814A-D	DC814B-D	LTC6905CS5-133	OPEN	OPEN	OPEN	OPEN	0 OHM
DC814A-E	DC814B-E	LTC6905CS5-100	OPEN	OPEN	OPEN	OPEN	0 OHM
DC814A-F	DC814B-F	LTC6905CS5-96	OPEN	OPEN	OPEN	OPEN	0 OHM
DC814A-G	DC814B-G	LTC6905CS5-80	OPEN	OPEN	OPEN	OPEN	0 OHM
DC814A-H	DC814C-H	LTC6906CS6	1M POT	90.9K	0 OHM	OPEN	OPEN
DC814A-I	DC814C-I	LTC6907CS6	500K POT	47.5K	OPEN	0 OHM	OPEN
DC814A-J	DC814D-J	LTC6908CS6-1	1M POT	9.09K	0 OHM	OPEN	OPEN
DC814A-K	DC814D-K	LTC6908CS6-2	1M POT	9.09K	0 OHM	OPEN	OPEN



This circuit is proprietary to Linear Technology and supplied for use with Linear Technology parts.
Customer Notice: Linear Technology has made a best effort to design a circuit that meets customer-supplied specifications; however, it remains the customer's responsibility to verify proper and reliable operation in the actual application. Component substitution and printed circuit board layout may significantly affect circuit performance or reliability. Contact Linear Applications Engineering for assistance.

C:\ORCAD\CAPTURE\SEARCH\EB14A814A_00_REV1.DSN
 1630 McCarthy Blvd., Milpitas, CA
 95035-7487
Linear Technology Corp.
 Phone: (408)432-1900 Fax: (408)434-0507

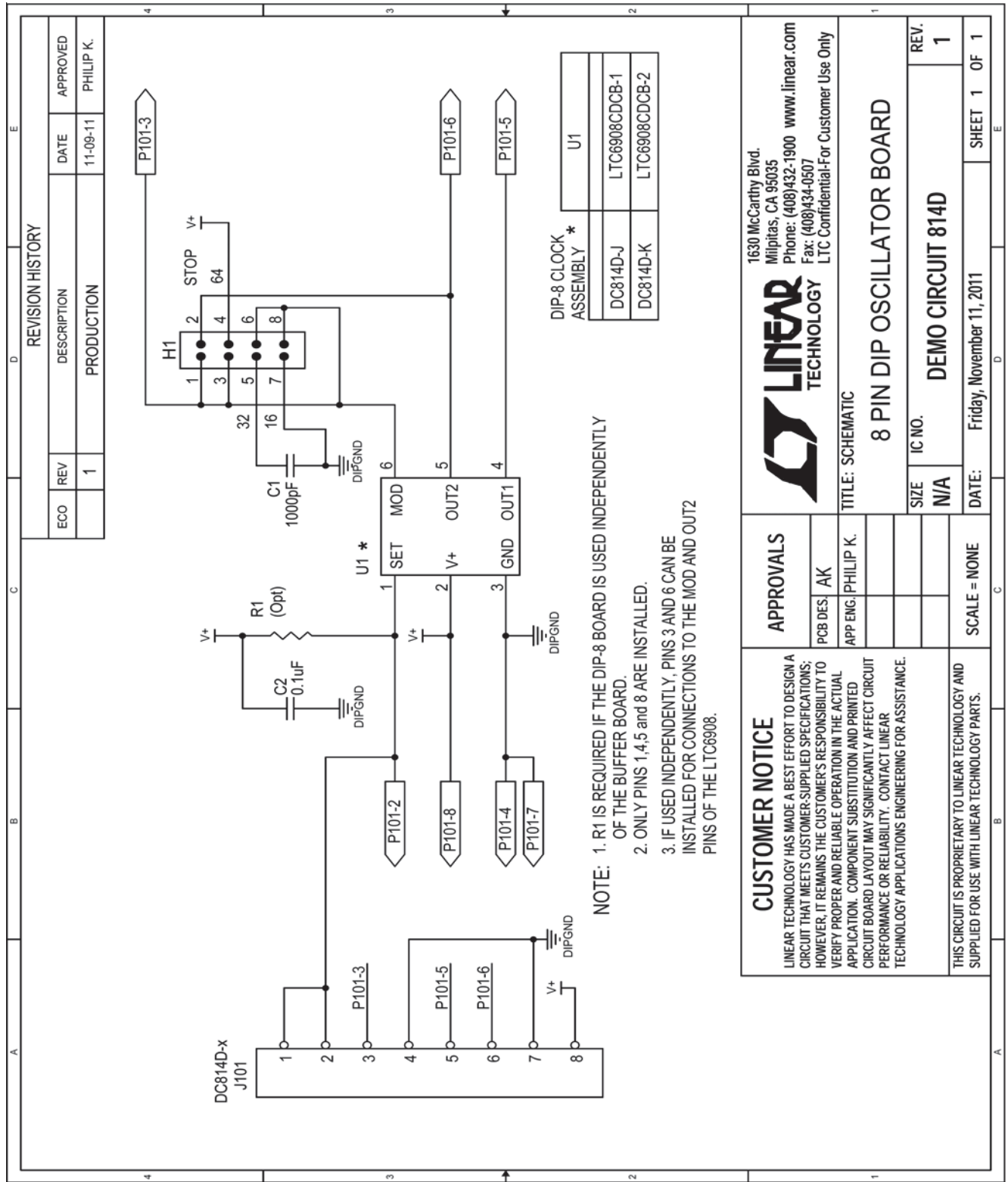
Rev
 4

Resistor Set Oscillator in SOT-23
 Demo Circuit 814A-X

Document Number

Sheet 1 of 1

DC814 QUICK START GUIDE



LINEAR TECHNOLOGY

1630 McCarthy Blvd.
 Milpitas, CA 95035
 Phone: (408)432-1900 www.linear.com
 Fax: (408)434-0507
 LTC Confidential-For Customer Use Only

APPROVALS

PCB DES. AK	APP ENG. PHILIP K.
-------------	--------------------

CUSTOMER NOTICE

LINEAR TECHNOLOGY HAS MADE A BEST EFFORT TO DESIGN A CIRCUIT THAT MEETS CUSTOMER-SUPPLIED SPECIFICATIONS; HOWEVER, IT REMAINS THE CUSTOMER'S RESPONSIBILITY TO VERIFY PROPER AND RELIABLE OPERATION IN THE ACTUAL APPLICATION. COMPONENT SUBSTITUTION AND PRINTED CIRCUIT BOARD LAYOUT MAY SIGNIFICANTLY AFFECT CIRCUIT PERFORMANCE OR RELIABILITY. CONTACT LINEAR TECHNOLOGY APPLICATIONS ENGINEERING FOR ASSISTANCE.

8 PIN DIP OSCILLATOR BOARD

TITLE: SCHEMATIC

SIZE	IC NO.	REV.
N/A	DC814D	1

SCALE = NONE

DATE: Friday, November 11, 2011

SHEET 1 OF 1