

**NOTE: UNLESS OTHERWISE SPECIFIED**

1. ALL RESISTORS AND CAPACITORS ARE 0603

**PCA ADDITIONAL PARTS**

LB1	LABEL
PCB1	PCB, DC2839A REV0x
STNCL1	TOOL, STENCIL, 700-DC2839A REV0x

**CUSTOMER NOTICE**

ANALOG DEVICES HAS MADE A BEST EFFORT TO DESIGN A CIRCUIT THAT MEETS CUSTOMER-SUPPLIED SPECIFICATIONS; HOWEVER, IT REMAINS THE CUSTOMER'S RESPONSIBILITY TO VERIFY PROPER AND RELIABLE OPERATION IN THE ACTUAL APPLICATION. COMPONENT SUBSTITUTION AND PRINTED CIRCUIT BOARD LAYOUT MAY SIGNIFICANTLY AFFECT CIRCUIT PERFORMANCE OR RELIABILITY. CONTACT ANALOG DEVICES APPLICATIONS ENGINEERING FOR ASSISTANCE.

THIS CIRCUIT IS PROPRIETARY TO ANALOG DEVICES

**APPROVALS**

PCB DES.	AK
APP ENG.	CATHERINE C.



1630 McCarthy Blvd.  
Milpitas, CA 95035  
Phone: (408)432-1900  
Fax: (408)434-0507  
www.analog.com

IC NO.

**LTC6115**

SKU NO.

**DC2839A**

SIZE: N/A

SCALE = NONE

DATE:

TITLE: DEMO CIRCUIT SCHEMATIC,

**HIGH VOLTAGE, HIGH SIDE CURRENT AND VOLTAGE SENSE**

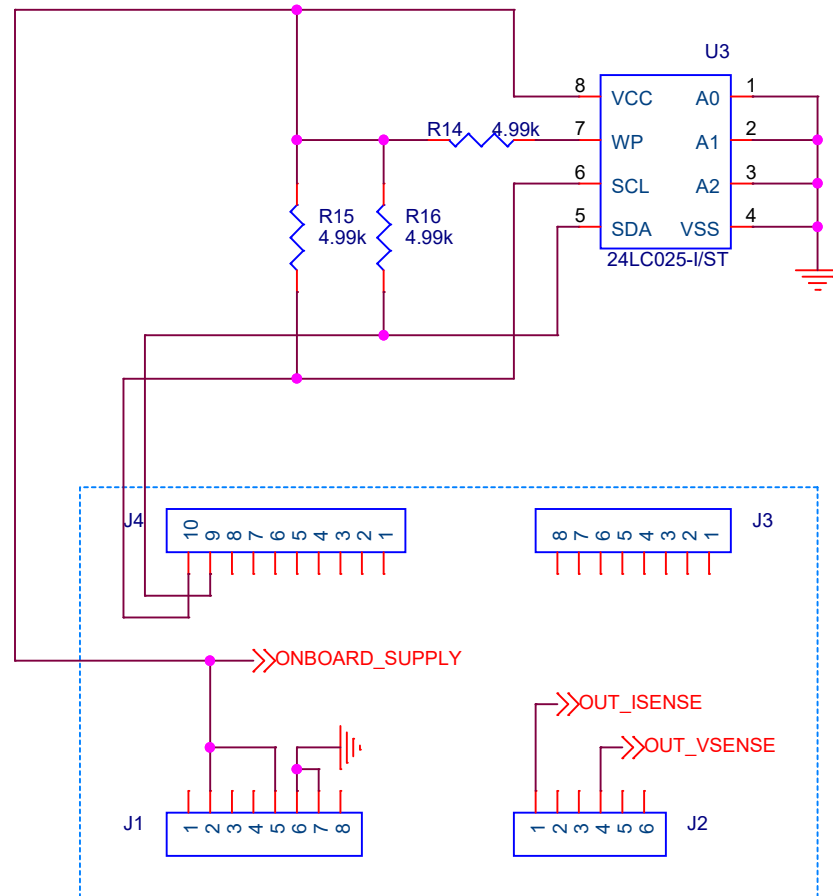
PCA BOM: 700-DC2839A\_REV03

PCA ASS'Y: 705-DC2839A\_REV02

SCHEMATIC NO. AND REVISION:

**710-DC2839A\_REV 03**

SHEET 1 OF 2



## CUSTOMER NOTICE

ANALOG DEVICES HAS MADE A BEST EFFORT TO DESIGN A CIRCUIT THAT MEETS CUSTOMER-SUPPLIED SPECIFICATIONS; HOWEVER, IT REMAINS THE CUSTOMER'S RESPONSIBILITY TO VERIFY PROPER AND RELIABLE OPERATION IN THE ACTUAL APPLICATION. COMPONENT SUBSTITUTION AND PRINTED CIRCUIT BOARD LAYOUT MAY SIGNIFICANTLY AFFECT CIRCUIT PERFORMANCE OR RELIABILITY. CONTACT ANALOG DEVICES APPLICATIONS ENGINEERING FOR ASSISTANCE.

THIS CIRCUIT IS PROPRIETARY TO ANALOG DEVICES

## APPROVALS

PCB DES.	AK
APP ENG.	CATHERINE C.

IC NO.  
**LTC6115**

SKU NO.  
**DC2839**

SIZE: N/A

SCALE = NONE

DATE:



**ANALOG  
DEVICES**

AHEAD OF WHAT'S POSSIBLE™

1630 McCarthy Blvd.  
Milpitas, CA 95035  
Phone: (408)432-1900  
Fax: (408)434-0507  
www.analog.com

TITLE: DEMO CIRCUIT SCHEMATIC,  
HIGH VOLTAGE, HIGH SIDE CURRENT AND VOLTAGE SENSE

PCA BOM: 700-DC2839A\_REV02  
PCA ASS'Y: 705-DC2839A\_REV02

SCHEMATIC NO. AND REVISION:  
**710-DC2839A\_REV 02**

SHEET 2 OF 2