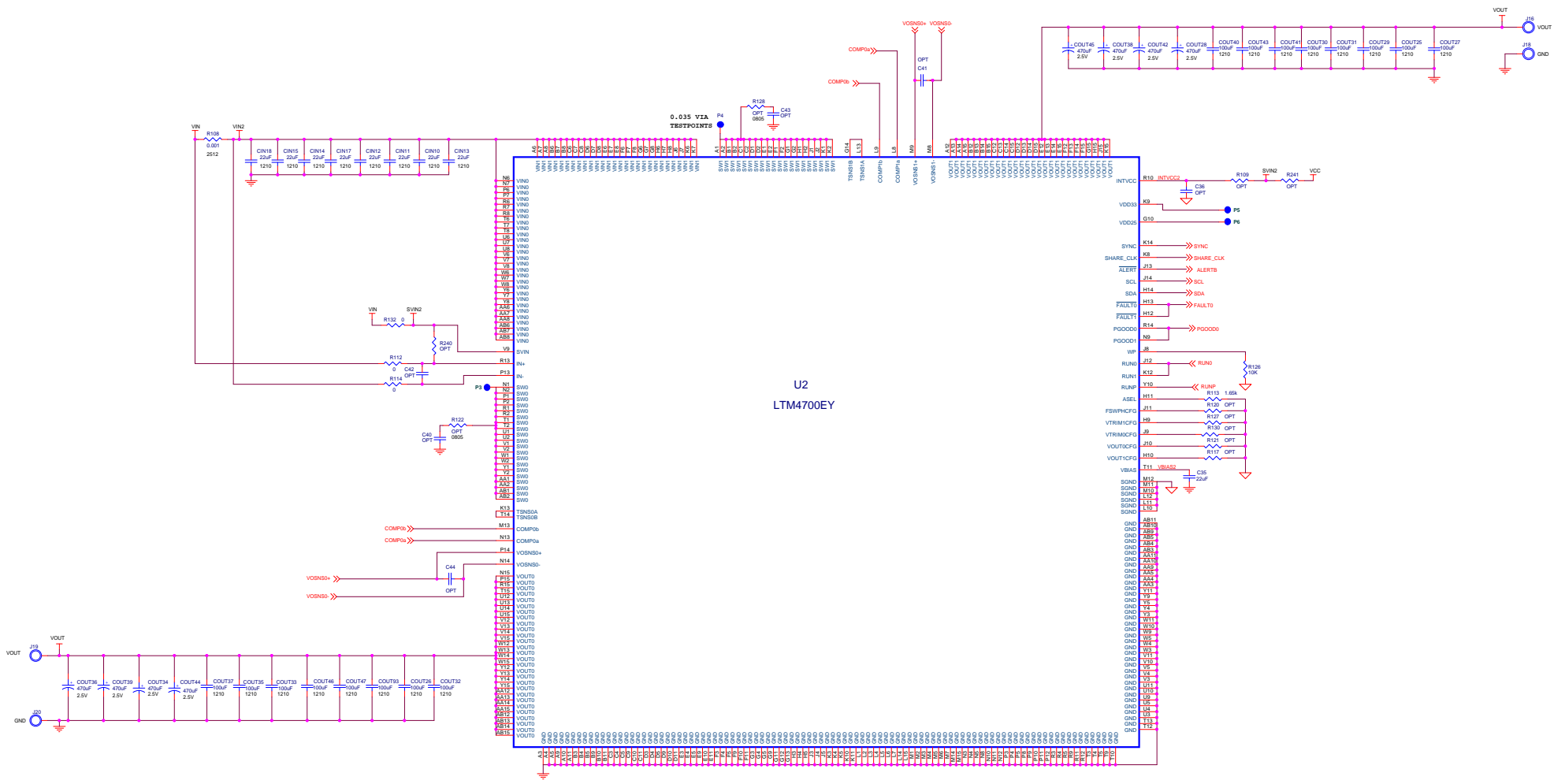


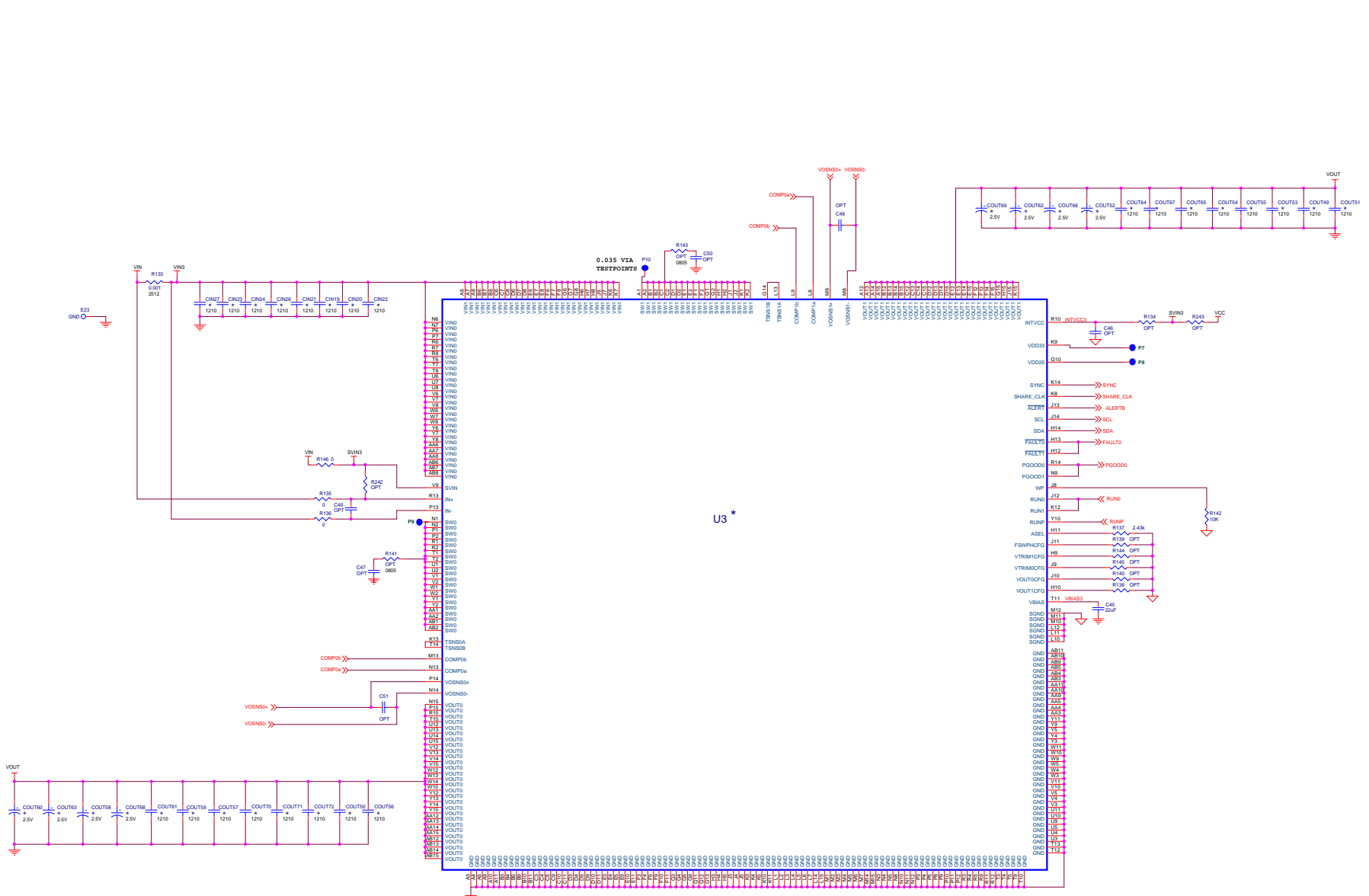
ASSY	U3	U4	C14	C15	COUT61,COUT59,COUT57,COUT70,COUT71,COUT72,COUT50,COUT56,COUT64,COUT67,COUT65,COUT55,COUT54,COUT53,COUT51,COUT49	COUT73,COUT94,COUT92,COUT82,COUT83,COUT84,COUT86,COUT48,COUT76,COUT77,COUT79,COUT89,COUT191,COUT190,COUT85,COUT87	CIN28,CIN29,CIN30,CIN31,CIN32,CIN34,CIN35,CIN36	COUT52,COUT58,COUT60,COUT62,COUT63,COUT65,COUT66,COUT68,COUT69	COUT74,COUT75,COUT78,COUT80,COUT81,COUT88,COUT95,COUT96
-A	OPT	OPT	OPT	15nF	OPT	OPT	OPT	OPT	OPT
-B	LTM4700	OPT	OPT	22nF	100uF	OPT	22uF	OPT	OPT
-C	LTM4700	LTM4700	560pF	10nF	100uF	OPT	22uF	22uF	470uF

NOTE: UNLESS OTHERWISE SPECIFIED
 1. ALL RESISTORS AND CAP ARE 0603.
 2. WHEN VIN < 5.75V, CHANGE R8,R109,R134,R160 = 0 OHM

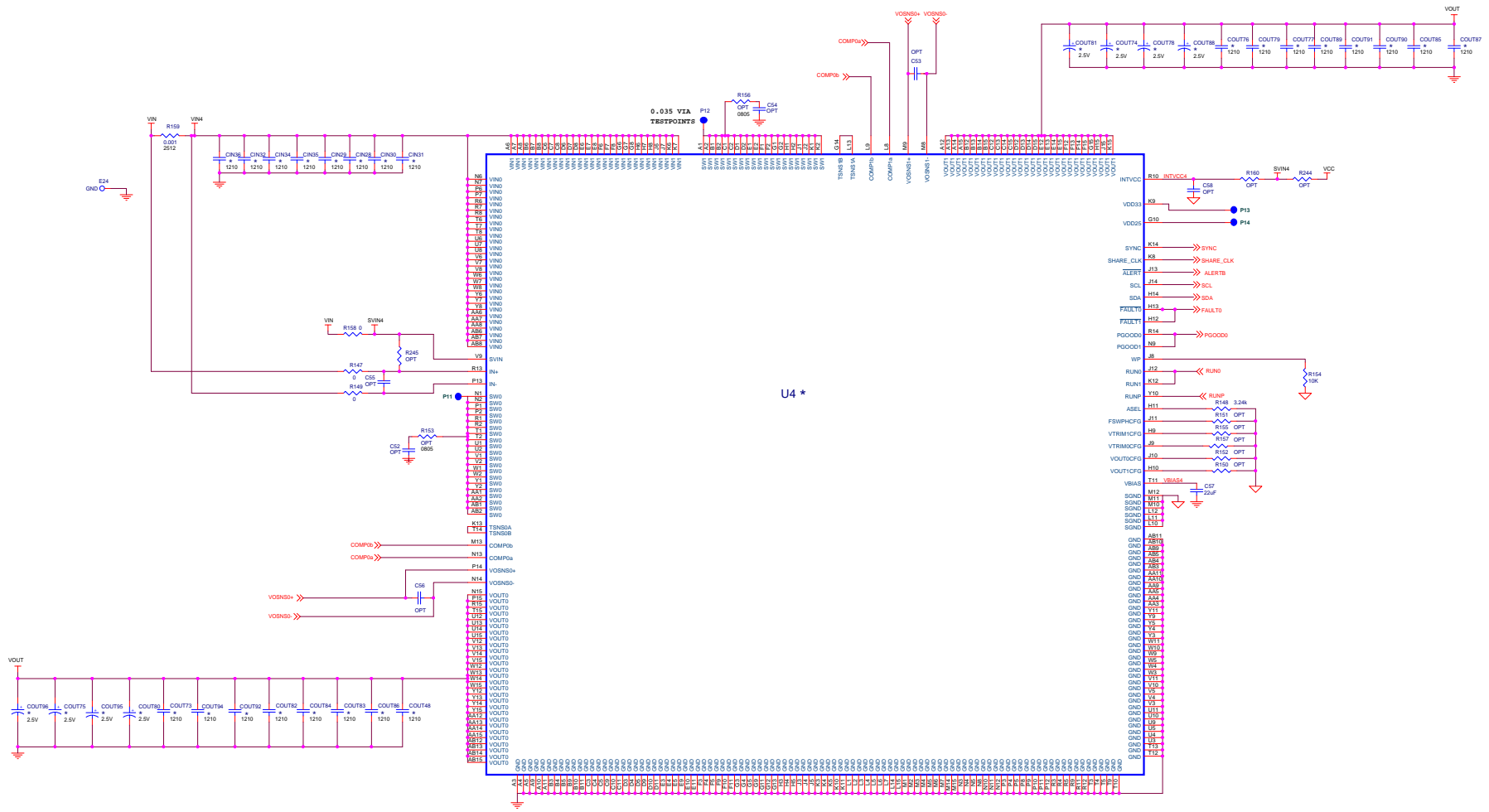
CUSTOMER NOTICE		APPROVALS		ANALOG DEVICES		POWER BY LINEAR	
ANALOG DEVICES HAS MADE BEST EFFORTS TO DESIGN A CIRCUIT THAT MEETS CUSTOMER SUPPLIED SPECIFICATIONS. HOWEVER, IT REMAINS THE CUSTOMER'S RESPONSIBILITY TO VERIFY PROPER AND RELIABLE OPERATION IN THE ACTUAL APPLICATION. COMPONENT SELECTION AND PARTS PERFORMANCE OR RELIABILITY MAY SOMEHOW AFFECT CIRCUIT APPLICATIONS. CONTACT ANALOG DEVICES APPLICATIONS ENGINEERING FOR ASSISTANCE.				PCB DES.	LT	www.analog.com	
THIS CIRCUIT IS PROPRIETARY TO ANALOG DEVICES AND SUPPLIED FOR USE WITH ANALOG DEVICES PARTS.				APP ENG.	HZ	Phone: (408)432-1900	
				TITLE: SCHEMATIC			
				HIGH CURRENT POLYPHASE STEP-DOWN POWER μ MODULE SUPPLY WITH DIGITAL POWER MANAGEMENT			
				IC NO. LTM4700EY		SCHEMATIC NO. AND REVISION:	
				SKU NO. DC2784A(A,B,C)		710-DC2784A(A,B,C)_REV03	
				SIZE: N/A		DATE: 02-13-2019	
				SHEET 1 OF 6			



<p>CUSTOMER NOTICE</p> <p>ANALOG DEVICES HAS MADE BEST EFFORT TO DESIGN A CIRCUIT THAT MEETS CUSTOMER SUPPLIED SPECIFICATIONS. HOWEVER, IT REMAINS THE CUSTOMER'S RESPONSIBILITY TO VERIFY PROPER AND RELIABLE OPERATION IN THE ACTUAL APPLICATION. COMPONENTS ARE PROVIDED AS INDICATED UNLESS INDICATED OTHERWISE. PERFECT CIRCUIT DESIGN DOES NOT GUARANTEE PERFECT CIRCUIT PERFORMANCE OR RELIABILITY. CONTACT ANALOG DEVICES APPLICATIONS ENGINEERING FOR ASSISTANCE.</p> <p><small>THIS CIRCUIT IS PROPRIETARY TO ANALOG DEVICES AND SUPPLIED FOR USE WITH ANALOG DEVICES PARTS.</small></p>	<p>APPROVALS</p> <table border="1" style="width: 100%; border-collapse: collapse;"> <tr> <td style="width: 50%;">PCB DES.</td> <td style="width: 50%;">LT</td> </tr> <tr> <td>APP ENG.</td> <td>HZ</td> </tr> </table>	PCB DES.	LT	APP ENG.	HZ	 <p style="font-size: 8px;">www.analog.com Phone: (408)432-1900</p>	<p>TITLE: SCHEMATIC HIGH CURRENT POLYPHASE STEP-DOWN POWER μMODULE SUPPLY WITH DIGITAL POWER MANAGEMENT</p> <p>IC NO. LTM4700EY SCHEMATIC NO. AND REVISION: SKU NO. DC2784A(A,B,C) 710-DC2784A(A,B,C)_REV03</p> <p>SIZE: N/A DATE: 02-13-2019 SHEET 2 OF 6</p>
	PCB DES.	LT					
	APP ENG.	HZ					



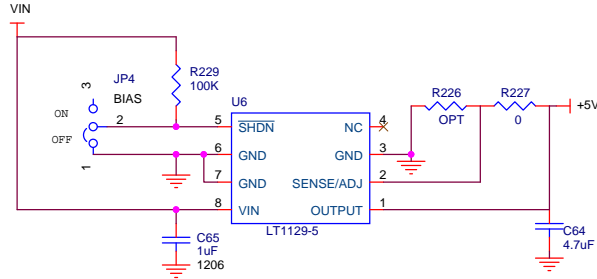
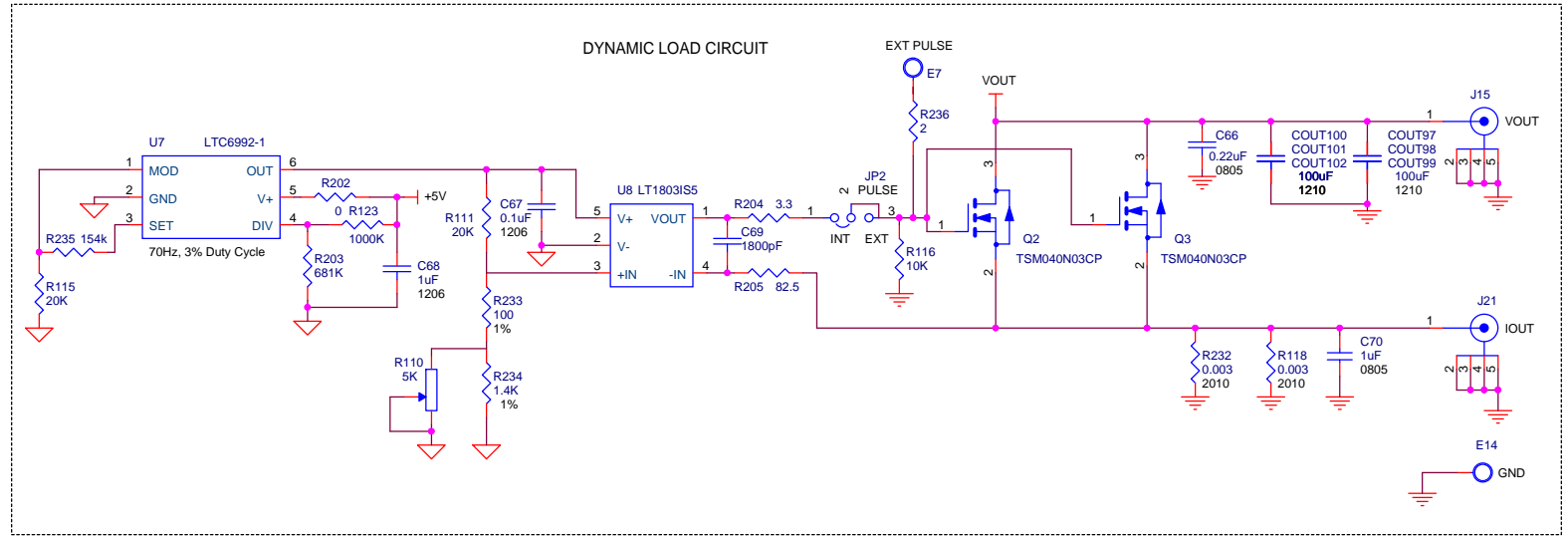
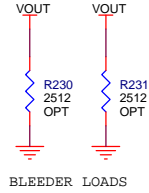
CUSTOMER NOTICE		APPROVALS		ANALOG DEVICES www.analog.com	POWER BY LINEAR Phone: (408)432-1900
ANALOG DEVICES HAS MADE BEST EFFORTS TO DESIGN A CIRCUIT THAT MEETS CUSTOMER SUPPLIED SPECIFICATIONS. HOWEVER, IT REMAINS THE CUSTOMER'S RESPONSIBILITY TO VERIFY PROPER AND RELIABLE OPERATION IN THE ACTUAL APPLICATION. COMPONENTS ARE PROVIDED WITHOUT WARRANTY THAT THEY WILL AFFECT CIRCUIT PERFORMANCE OR RELIABILITY. CONTACT ANALOG DEVICES APPLICATIONS ENGINEERING FOR ASSISTANCE.		PCB DES.	LT		
THIS CIRCUIT IS PROPRIETARY TO ANALOG DEVICES AND SUPPLIED FOR USE WITH ANALOG DEVICES PARTS.		APP'G	HZ		
				TITLE: SCHEMATIC HIGH CURRENT POLYPHASE STEP-DOWN POWER MODULE SUPPLY WITH DIGITAL POWER MANAGEMENT	
				IC NO. LTM7005Y SKU NO. DC2784A(A,B,C)	
				SCHEMATIC NO. AND REVISION: 710-DC2784A(A,B,C)_REV03	
				SIZE: N/A DATE: 02-13-2019	
				SHEET 3 OF 6	





U4 *

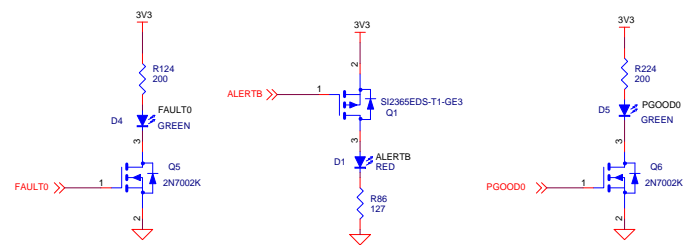
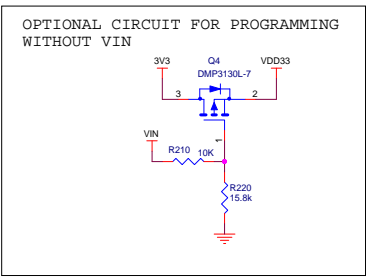
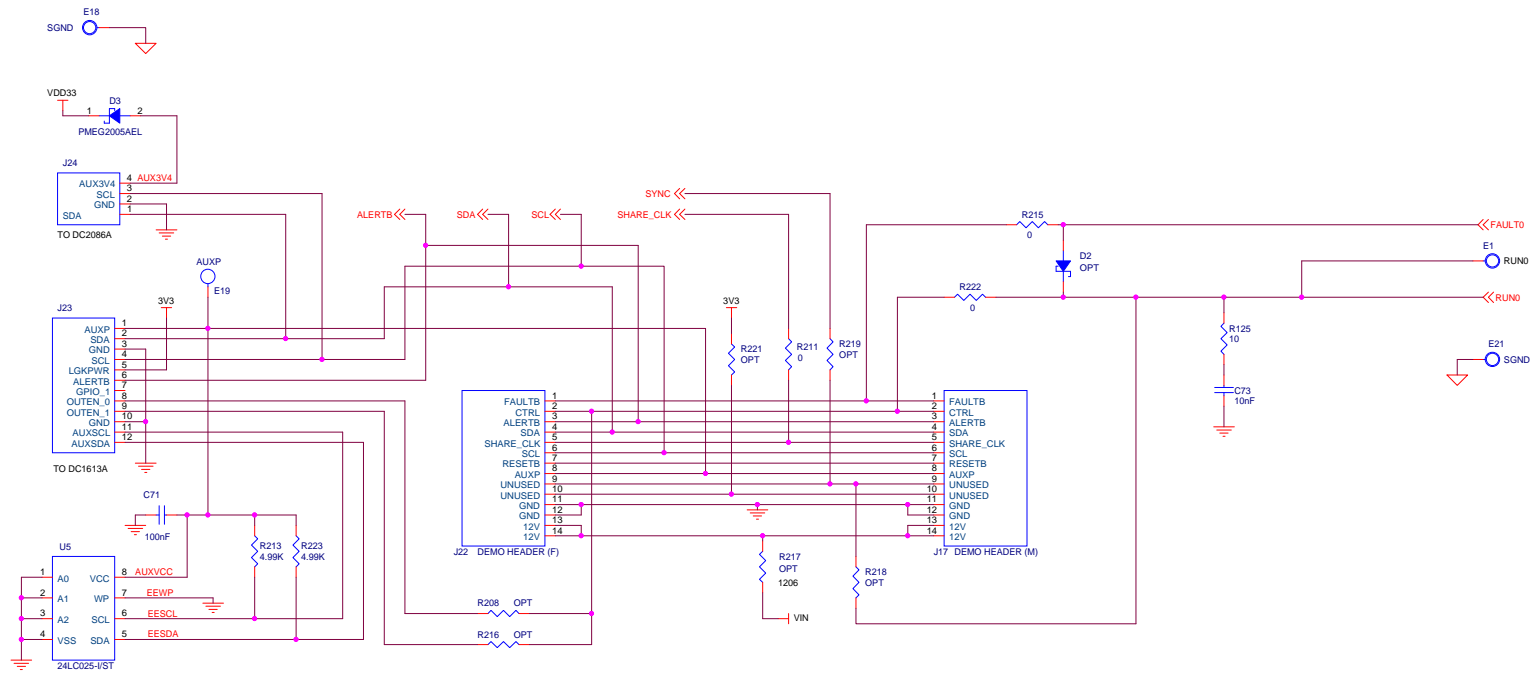
CUSTOMER NOTICE		APPROVALS		ANALOG DEVICES	POWER BY LINEAR
ANALOG DEVICES HAS MADE BEST EFFORT TO DESIGN A CIRCUIT THAT MEETS CUSTOMER SUPPLIED SPECIFICATIONS. HOWEVER, IT REMAINS THE CUSTOMER'S RESPONSIBILITY TO VERIFY PROPER AND RELIABLE OPERATION IN THE ACTUAL APPLICATION. COMPONENT SPECIFICATIONS AND PARASITIC VALUES (ESR/ESL) MAY SIGNIFICANTLY AFFECT CIRCUIT PERFORMANCE OR RELIABILITY. CONTACT ANALOG DEVICES APPLICATIONS ENGINEERING FOR ASSISTANCE.		PCB DES.	LT		
THIS CIRCUIT IS PROPRIETARY TO ANALOG DEVICES AND SUPPLIED FOR USE WITH ANALOG DEVICES PARTS.		APP'G	HZ	TITLE: SCHEMATIC HIGH CURRENT POLYPHASE STEP-DOWN POWER MODULE SUPPLY WITH DIGITAL POWER MANAGEMENT	
				IC NO. LTM700CY	SCHMATIC NO. AND REVISION:
				SKU NO. DC2784A(A,B,C)	710-DC2784A(A,B,C)_REV03
				SIZE: N/A	DATE: 02-13-2019
				SHEET 4 OF 6	

ALL PARTS ON THIS PAGE ARE FOR DEMO ONLY, NOT NEEDED IN CUSTOMER DESIGN



CUSTOMER NOTICE		APPROVALS		  www.analog.com Phone: (408)432-1900		
ANALOG DEVICES HAS MADE A BEST EFFORT TO DESIGN A CIRCUIT THAT MEETS CUSTOMER-SUPPLIED SPECIFICATIONS; HOWEVER, IT REMAINS THE CUSTOMER'S RESPONSIBILITY TO VERIFY PROPER AND RELIABLE OPERATION IN THE ACTUAL APPLICATION. COMPONENT SUBSTITUTION AND PRINTED CIRCUIT BOARD LAYOUT MAY SIGNIFICANTLY AFFECT CIRCUIT PERFORMANCE OR RELIABILITY. CONTACT ANALOG DEVICES APPLICATIONS ENGINEERING FOR ASSISTANCE.		PCB DES.	LT		TITLE: SCHEMATIC HIGH CURRENT POLYPHASE STEP-DOWN POWER uMODULE SUPPLY WITH DIGITAL POWER MANAGEMENT	
		APP ENG.	HZ	IC NO. LTM4700EY SKU NO. DC2784A(A,B,C)		
		THIS CIRCUIT IS PROPRIETARY TO ANALOG DEVICES AND SUPPLIED FOR USE WITH ANALOG DEVICES PARTS.				SCHEMATIC NO. AND REVISION: 710-DC2784A(A,B,C)_REV03
				SIZE: N/A	DATE: 02-13-2019	SHEET 5 OF 6

ALL PARTS ON THIS PAGE ARE FOR DEMO ONLY, NOT NEEDED IN CUSTOMER DESIGN



CUSTOMER NOTICE		APPROVALS		ANALOG DEVICES		POWER BY LINEAR	
<p>ANALOG DEVICES HAS MADE A BEST EFFORT TO DESIGN A CIRCUIT THAT MEETS CUSTOMER-SUPPLIED SPECIFICATIONS; HOWEVER, IT REMAINS THE CUSTOMER'S RESPONSIBILITY TO VERIFY PROPER AND RELIABLE OPERATION IN THE ACTUAL APPLICATION. COMPONENT SUBSTITUTES AND PRINTED CIRCUIT BOARD LAYOUT MAY SIGNIFICANTLY AFFECT CIRCUIT PERFORMANCE OR RELIABILITY. CONTACT ANALOG DEVICES APPLICATIONS ENGINEERING FOR ASSISTANCE.</p>				PCB DES.	LT	<p>www.analog.com Phone: (408)432-1900</p>	
				APP ENG.	HZ		
				TITLE: SCHEMATIC			
				HIGH CURRENT POLYPHASE STEP-DOWN POWER uMODULE SUPPLY WITH DIGITAL POWER MANAGEMENT			
THIS CIRCUIT IS PROPRIETARY TO ANALOG DEVICES AND SUPPLIED FOR USE WITH ANALOG DEVICES PARTS.				IC NO. LTM4700EY		SCHEMATIC NO. AND REVISION:	
				SKU NO. DC2784A(A,B,C)		710-DC2784A(A,B,C)_REV03	
				SIZE: N/A	DATE: 02-13-2019	SHEET 6 OF 6	