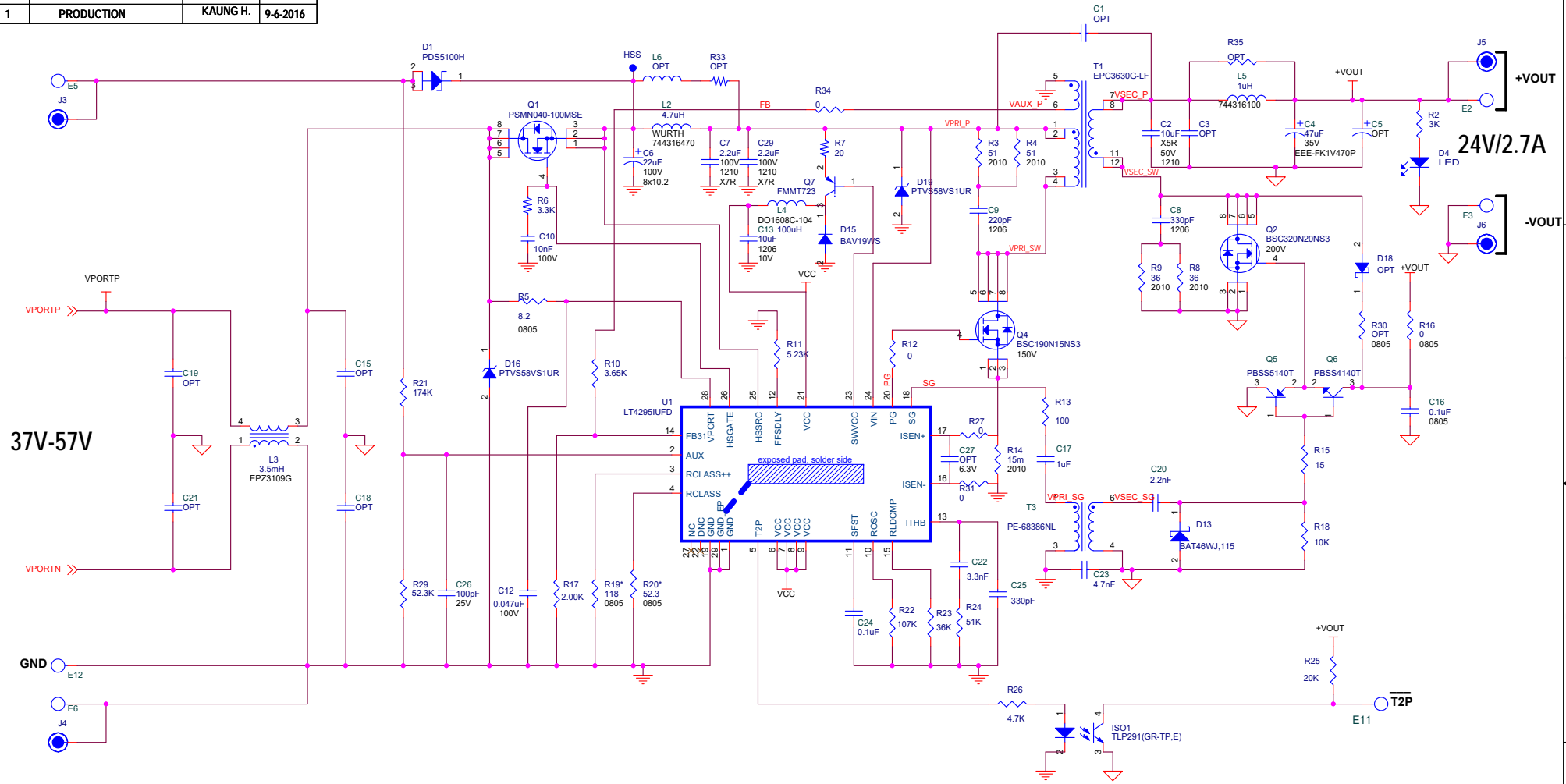


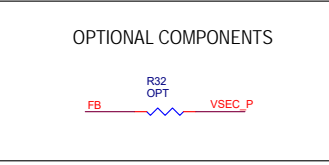
REVISION HISTORY

ECO	REV	DESCRIPTION	APPROVED	DATE
1	1	PRODUCTION	KAUNG H.	9-6-2016



37V-57V

24V/2.7A



*CHANGE R19 TO 64.9 OHM AND R20 TO 80.6 OHM TO MAKE THE DC2476A CLASSIFY AS 62W PD.

CUSTOMER NOTICE
 LINEAR TECHNOLOGY HAS MADE A BEST EFFORT TO DESIGN A CIRCUIT THAT MEETS CUSTOMER-SUPPLIED SPECIFICATIONS; HOWEVER, IT REMAINS THE CUSTOMER'S RESPONSIBILITY TO VERIFY PROPER AND RELIABLE OPERATION IN THE ACTUAL APPLICATION. COMPONENT SUBSTITUTION AND PRINTED CIRCUIT BOARD LAYOUT MAY SIGNIFICANTLY AFFECT CIRCUIT PERFORMANCE OR RELIABILITY. CONTACT LINEAR TECHNOLOGY APPLICATIONS ENGINEERING FOR ASSISTANCE.
 THIS CIRCUIT IS PROPRIETARY TO LINEAR TECHNOLOGY AND SUPPLIED FOR USE WITH LINEAR TECHNOLOGY PARTS.

APPROVALS

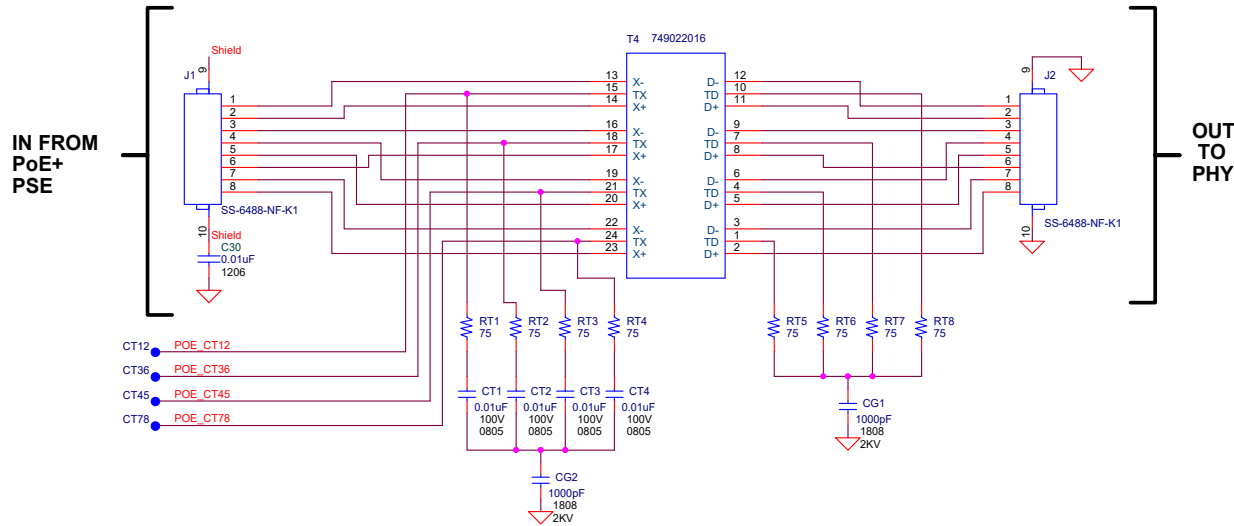
PCB DES.	K. HTOO
APP ENG.	K. HTOO
SCALE	NONE

LINEAR TECHNOLOGY
 1630 McCarthy Blvd.
 Milpitas, CA 95035
 Phone: (408)432-1900 www.linear.com
 Fax: (408)434-0507
 LTC Confidential-For Customer Use Only

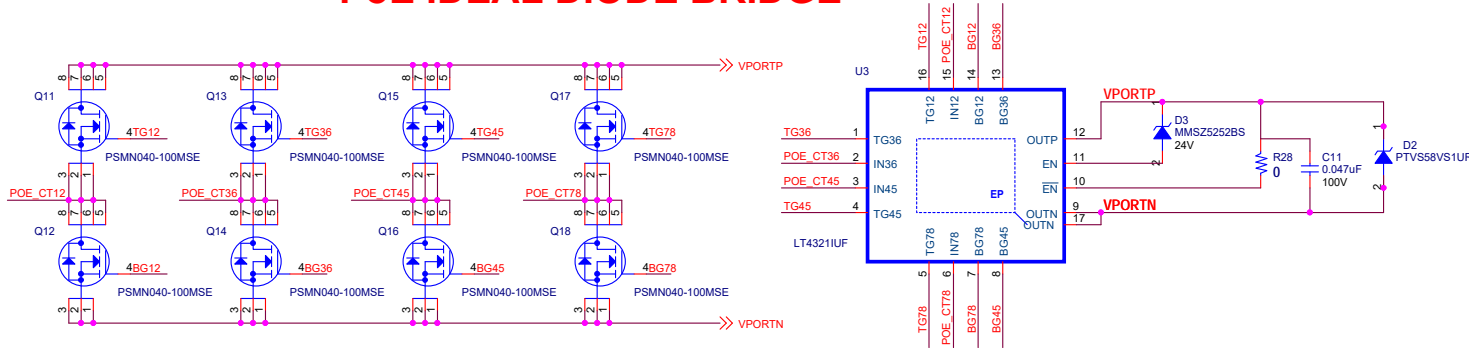
TITLE: SCHEMATIC
HIGH EFFICIENCY IEEE 802.3bt (TYPE 4) PD WITH FLYBACK
DC-DC CONVERTER WITH AUXILIARY POWER INPUT

SIZE	N/A	IC NO.	LT4295IUFD, LT4321IUF	REV.	1
DATE:	Friday, August 04, 2017	DEMO CIRCUIT 2476A-A		SHEET	1 OF 2

REVISION HISTORY				
ECO	REV	DESCRIPTION	APPROVED	DATE
1	1	PRODUCTION	KAUNG H.	9-6-2016



PoE IDEAL DIODE BRIDGE



CUSTOMER NOTICE

LINEAR TECHNOLOGY HAS MADE A BEST EFFORT TO DESIGN A CIRCUIT THAT MEETS CUSTOMER-SUPPLIED SPECIFICATIONS; HOWEVER, IT REMAINS THE CUSTOMER'S RESPONSIBILITY TO VERIFY PROPER AND RELIABLE OPERATION IN THE ACTUAL APPLICATION. COMPONENT SUBSTITUTION AND PRINTED CIRCUIT BOARD LAYOUT MAY SIGNIFICANTLY AFFECT CIRCUIT PERFORMANCE OR RELIABILITY. CONTACT LINEAR TECHNOLOGY APPLICATIONS ENGINEERING FOR ASSISTANCE.

THIS CIRCUIT IS PROPRIETARY TO LINEAR TECHNOLOGY AND SUPPLIED FOR USE WITH LINEAR TECHNOLOGY PARTS.

APPROVALS

PCB DES.	K. HTOO
APP ENG.	K. HTOO
SCALE	NONE



1630 McCarthy Blvd.
Milpitas, CA 95035
Phone: (408)432-1900 www.linear.com
Fax: (408)434-0507
LTC Confidential-For Customer Use Only

TITLE: SCHEMATIC
HIGH EFFICIENCY IEEE 802.3bt (TYPE 4) PD WITH FLYBACK
DC-DC CONVERTER AND AUXILIARY POWER INPUT

SIZE	N/A	IC NO.	LT4295IUFD, LT4321IUF	REV.	1
DATE:	Friday, August 04, 2017			SHEET	2 OF 2