

NOTE: UNLESS OTHERWISE SPECIFIED
 1. ALL RESISTORS ARE IN OHMS, 0603.
 ALL CAPACITORS ARE IN MICROFARADS, 0603.

CUSTOMER NOTICE

ANALOG DEVICES HAS MADE A BEST EFFORT TO DESIGN A CIRCUIT THAT MEETS CUSTOMER-SUPPLIED SPECIFICATIONS; HOWEVER, IT REMAINS THE CUSTOMER'S RESPONSIBILITY TO VERIFY PROPER AND RELIABLE OPERATION IN THE ACTUAL APPLICATION. COMPONENT SUBSTITUTION AND PRINTED CIRCUIT BOARD LAYOUT MAY SIGNIFICANTLY AFFECT CIRCUIT PERFORMANCE OR RELIABILITY. CONTACT ANALOG DEVICES APPLICATIONS ENGINEERING FOR ASSISTANCE.

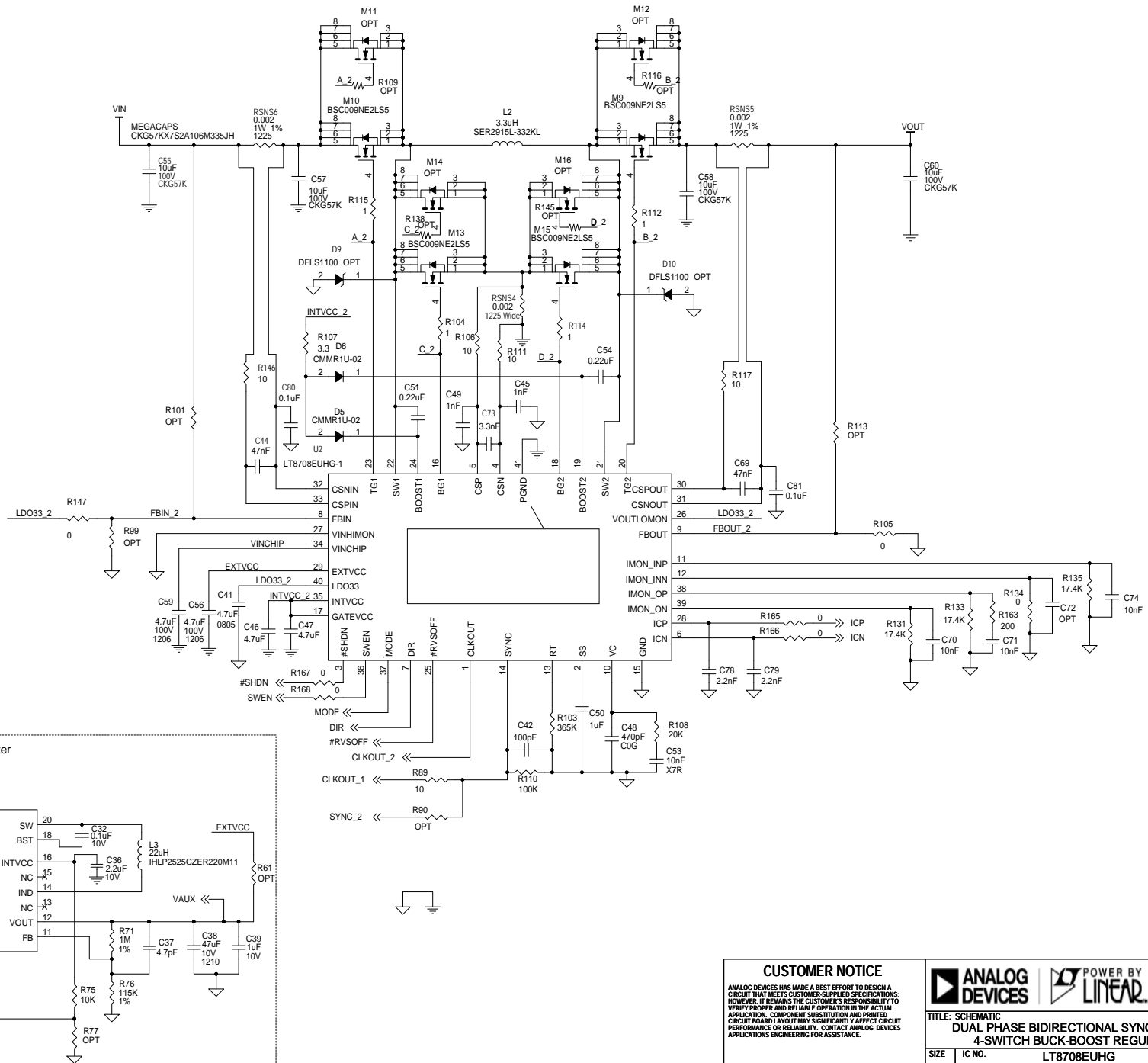
www.analog.com
Phone: (408)432-1900

**TITLE: SCHEMATIC
 DUAL PHASE BIDIRECTIONAL SYNCHRONOUS
 4-SWITCH BUCK-BOOST REGULATOR**

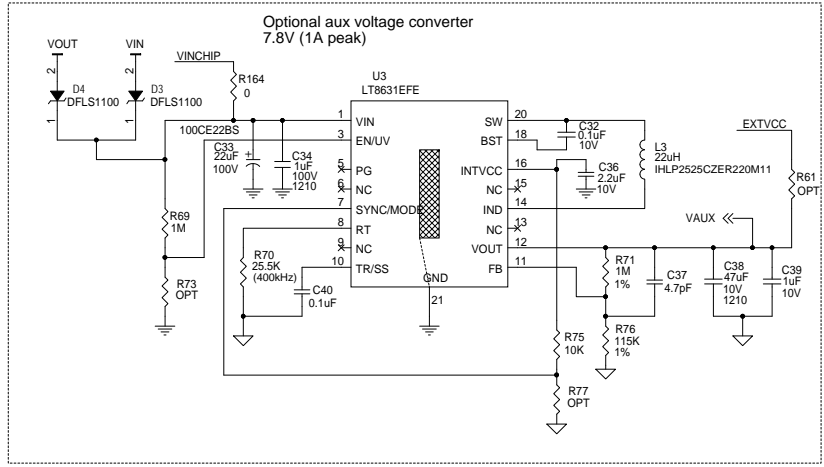
SIZE	N/A	IC NO.	LT8708EUHG	REV.	3
DATE:	Wednesday, July 25, 2018		DC2719A	SHEET 1 OF 2	

THIS CIRCUIT IS PROPRIETARY TO ANALOG DEVICES AND SUPPLIED FOR USE WITH ANALOG DEVICES PARTS.

EXTVCC → EXTVCC
VINCHIP → VINCHIP



Optional aux voltage converter
7.8V (1A peak)



<p>CUSTOMER NOTICE</p> <p>ANALOG DEVICES HAS MADE A BEST EFFORT TO DESIGN A CIRCUIT THAT MEETS CUSTOMER-SUPPLIED SPECIFICATIONS; HOWEVER, IT REMAINS THE CUSTOMER'S RESPONSIBILITY TO VERIFY PROPER AND RELIABLE OPERATION IN THE ACTUAL APPLICATION. COMPONENT SUBSTITUTION AND PRINTED CIRCUIT BOARD LAYOUT MAY SIGNIFICANTLY AFFECT CIRCUIT PERFORMANCE OR RELIABILITY. CONTACT ANALOG DEVICES APPLICATIONS ENGINEERING FOR ASSISTANCE.</p>		<p>ANALOG DEVICES</p> <p>POWER BY LINEAR</p> <p>www.analog.com Phone: (408)432-1900</p>
<p>TITLE: SCHEMATIC DUAL PHASE BIDIRECTIONAL SYNCHRONOUS 4-SWITCH BUCK-BOOST REGULATOR</p>		
SIZE	IC NO.	REV.
N/A	LT8708EUHG DC2719A	3
DATE:	Wednesday, July 25, 2018	SHEET 2 OF 2
<p>THIS CIRCUIT IS PROPRIETARY TO ANALOG DEVICES AND SUPPLIED FOR USE WITH ANALOG DEVICES PARTS.</p>		