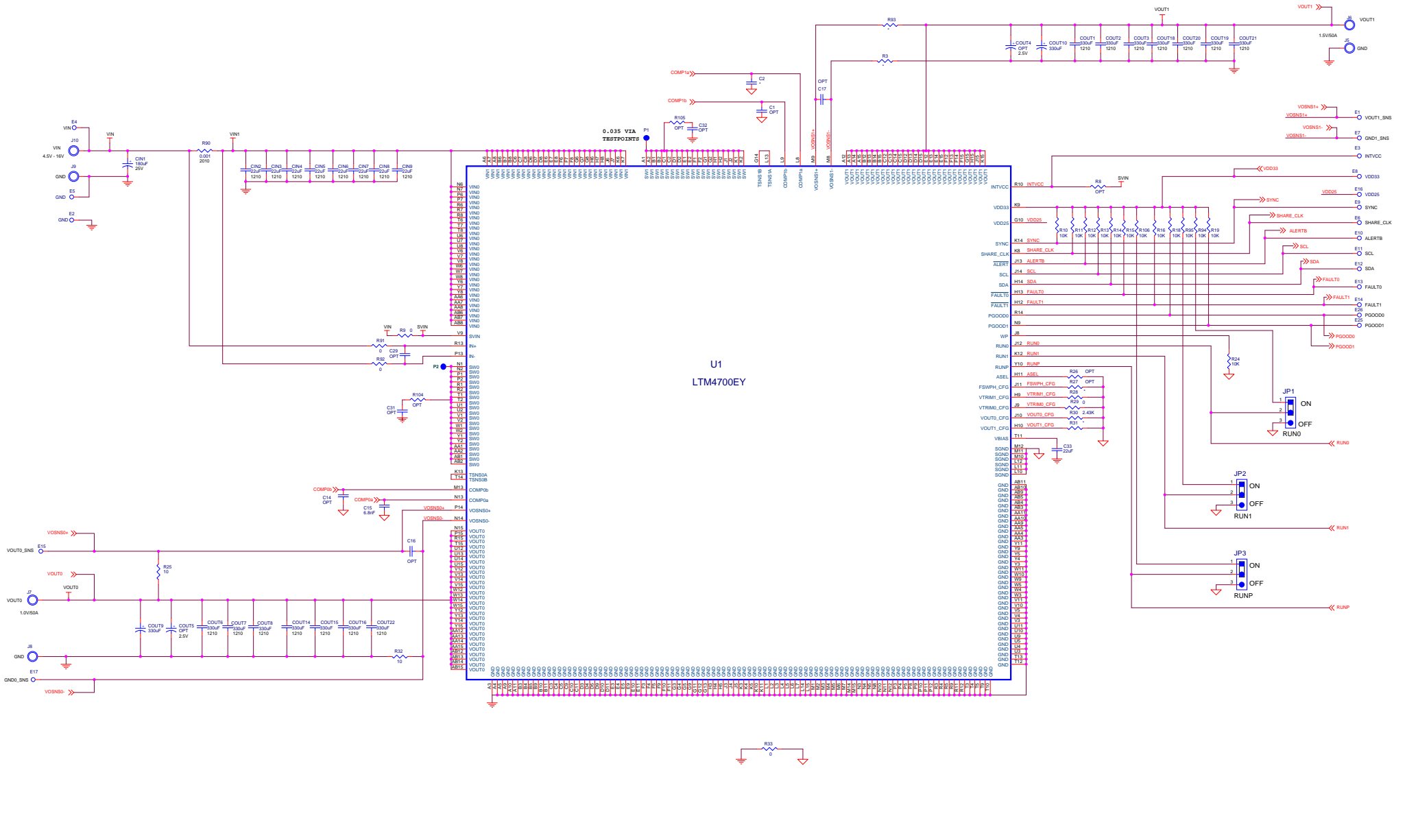


REVISION HISTORY				
ECO	REV	DESCRIPTION	APPROVED	DATE
-	5	PRODUCTION	HZ	08-29-18

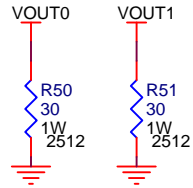


NOTE: UNLESS OTHERWISE SPECIFIED
 1. ALL RESISTORS AND CAP ARE 0603.
 2. WHEN VIN < 5.75V, SHORT INTVCC TO SUN WITH R8=0 OHM

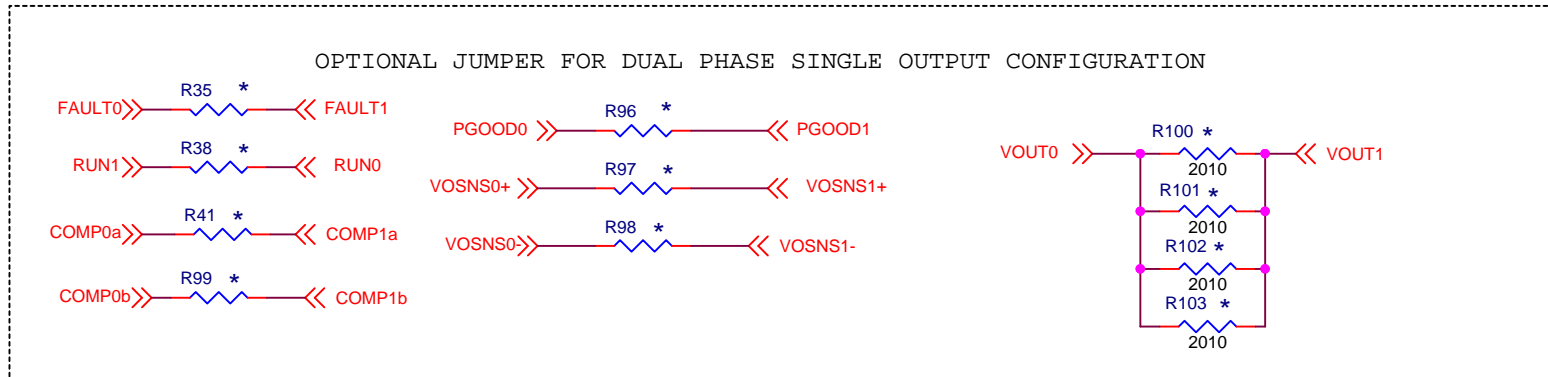
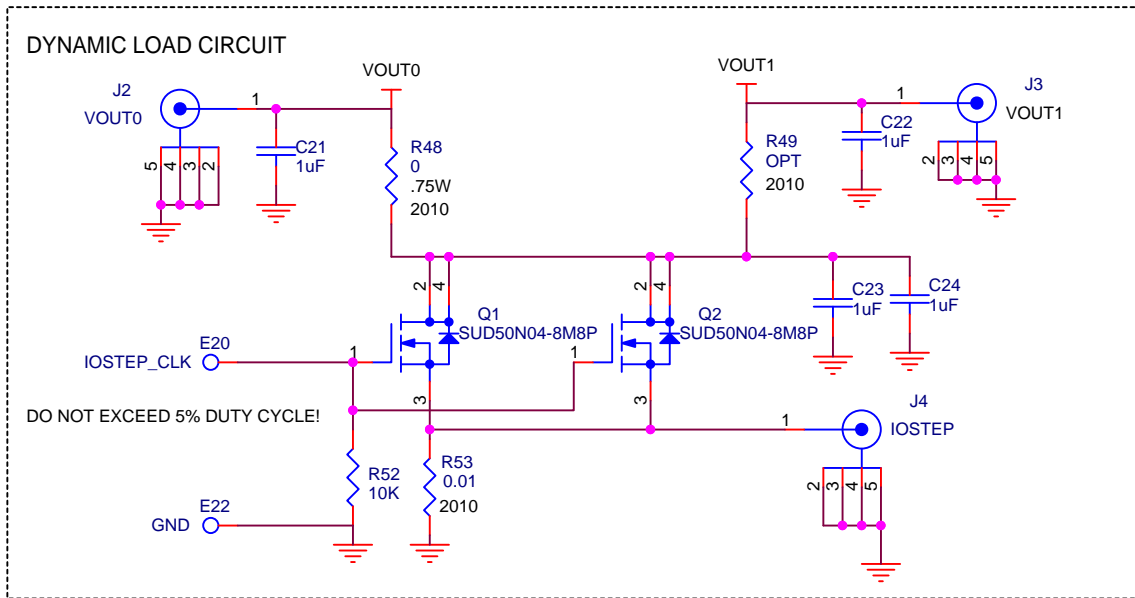
ASSY	R28,R35,R38,R41,R96,R97,R98,R99	R100,R101,R102,R103	R93, R3	C2	R31
-A	OPT	OPT	10 OHM	6.8nF	4.22K
-B	0 OHM	0 OHM	OPT	OPT	2.43K

CUSTOMER NOTICE		APPROVALS		ANALOG DEVICES		POWER BY LINEAR	
ANALOG DEVICES HAS MADE BEST EFFORT TO DESIGN A CIRCUIT THAT MEETS CUSTOMER SUPPLIER SPECIFICATIONS. HOWEVER, IT REMAINS THE CUSTOMER'S RESPONSIBILITY TO VERIFY PROPER AND RELIABLE OPERATION IN THE ACTUAL APPLICATION. COMPONENT PRODUCTION AND TESTING PERFORMANCE OR RELIABILITY, CONTACT ANALOG DEVICES APPLICATIONS ENGINEERING FOR ASSISTANCE.		PCB DES:	LT	www.analog.com		Phone: (408)432-1900	
THIS CIRCUIT IS PROPRIETARY TO ANALOG DEVICES AND SUPPLIED FOR USE WITH ANALOG DEVICES PARTS.		APP ENG:	HZ				
TITLE: SCHEMATIC		DUJAL 59A OR SINGLE 106A U/MODULE REGULATOR WITH DIGITAL POWER MANAGEMENT		IC NO. LTM4700EY		SCHEMATIC NO. AND REVISION: 710-DC2702A(A,B)	
SIZE: N/A		DATE: 08-29-18		SHEET 1		OF 3	

ALL PARTS ON THIS PAGE ARE FOR DEMO ONLY, NOT NEEDED IN CUSTOMER DESIGN



BLEEDER LOADS



CUSTOMER NOTICE

ANALOG DEVICES HAS MADE A BEST EFFORT TO DESIGN A CIRCUIT THAT MEETS CUSTOMER-SUPPLIED SPECIFICATIONS; HOWEVER, IT REMAINS THE CUSTOMER'S RESPONSIBILITY TO VERIFY PROPER AND RELIABLE OPERATION IN THE ACTUAL APPLICATION. COMPONENT SUBSTITUTION AND PRINTED CIRCUIT BOARD LAYOUT MAY SIGNIFICANTLY AFFECT CIRCUIT PERFORMANCE OR RELIABILITY. CONTACT ANALOG DEVICES APPLICATIONS ENGINEERING FOR ASSISTANCE.

THIS CIRCUIT IS PROPRIETARY TO ANALOG DEVICES AND SUPPLIED FOR USE WITH ANALOG DEVICES PARTS.

APPROVALS

PCB DES.	LT
APP ENG.	HZ



www.analog.com



Phone: (408)432-1900

TITLE: SCHEMATIC
DUAL 50A OR SINGLE 100A uMODULE REGULATOR WITH DIGITAL POWER MANAGEMENT

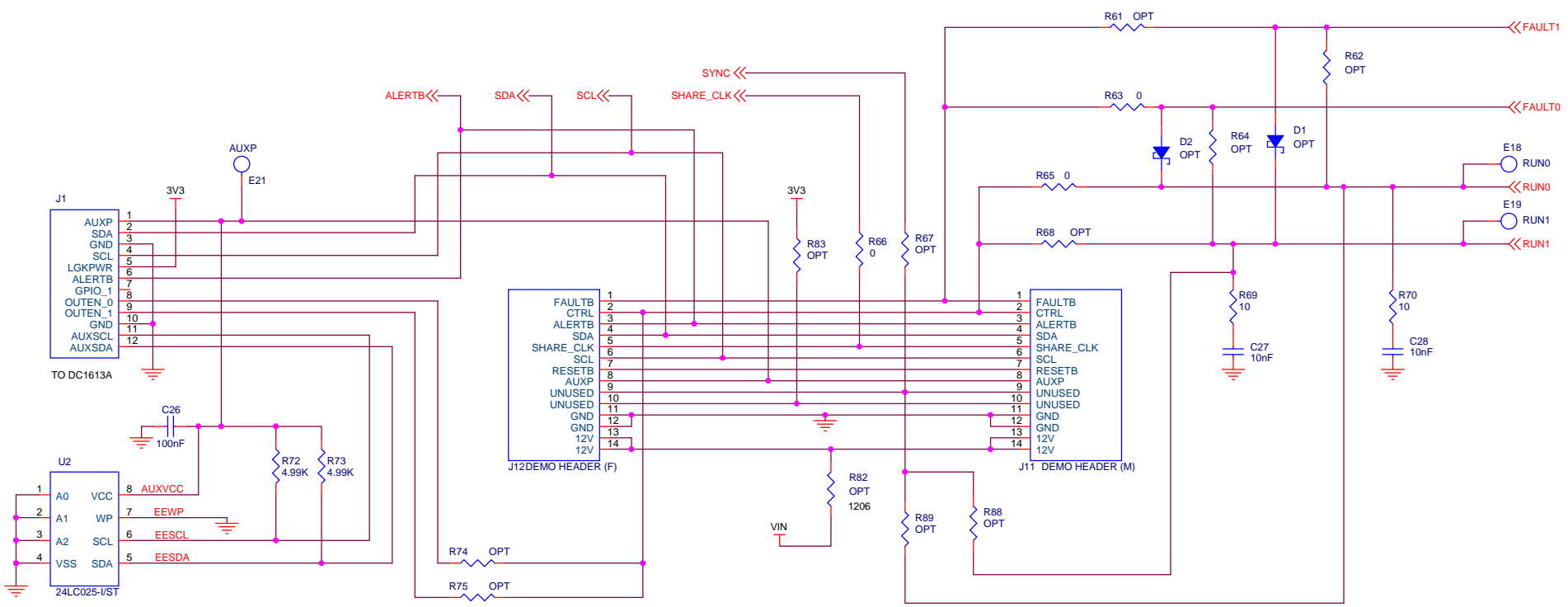
IC NO. LTM4700EY
 SKU NO. DC2702A(A,B)

SCHEMATIC NO. AND REVISION:
710-DC2784A(A,B,C)_REV02

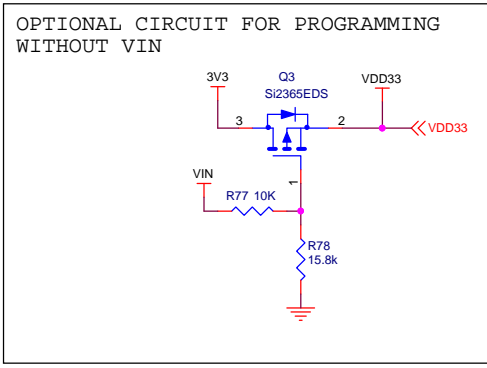
SIZE: N/A DATE: 08-29-18

SHEET 2 OF 3

ALL PARTS ON THIS PAGE ARE FOR DEMO BOARD ONLY, NOT NEEDED IN CUSTOMER DESIGN



PSM STACKING CONNECTORS:
 J12, FEMALE, CONN RECEPT 2MM DUAL R/A 14POS, Sullins Conn. NPPN072FJFN-RC
 J11, MALE, CONN HEADER 14POS 2MM R/A GOLD, Molex Connector Corp. 87760-1416



<p>CUSTOMER NOTICE</p> <p>ANALOG DEVICES HAS MADE A BEST EFFORT TO DESIGN A CIRCUIT THAT MEETS CUSTOMER-SUPPLIED SPECIFICATIONS; HOWEVER, IT REMAINS THE CUSTOMER'S RESPONSIBILITY TO VERIFY PROPER AND RELIABLE OPERATION IN THE ACTUAL APPLICATION. COMPONENT SUBSTITUTION AND PRINTED CIRCUIT BOARD LAYOUT MAY SIGNIFICANTLY AFFECT CIRCUIT PERFORMANCE OR RELIABILITY. CONTACT ANALOG DEVICES APPLICATIONS ENGINEERING FOR ASSISTANCE.</p> <p>THIS CIRCUIT IS PROPRIETARY TO ANALOG DEVICES AND SUPPLIED FOR USE WITH ANALOG DEVICES PARTS.</p>	<p>APPROVALS</p>		<p>www.analog.com Phone: (408)432-1900</p>
	PCB DES.	LT	
	APP ENG.	HZ	
			<p>IC NO. LTM4700EY SKU NO. DC2702A(A,B)</p>
		<p>SIZE: N/A DATE: 08-29-18</p>	<p>SHEET 3 OF 3</p>