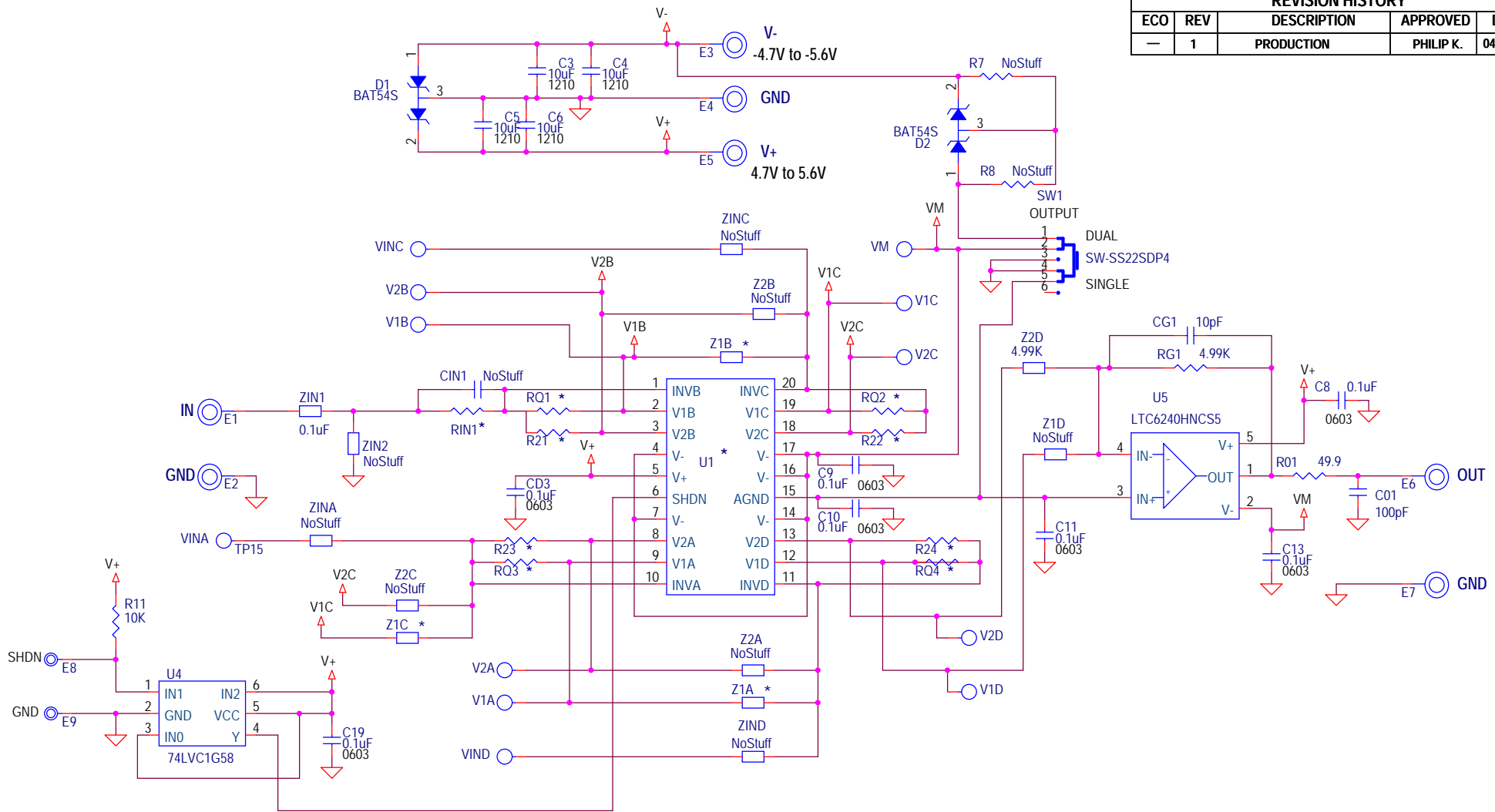


REVISION HISTORY				
ECO	REV	DESCRIPTION	APPROVED	DATE
-	1	PRODUCTION	PHILIP K.	04-21-2015



\* NOTES: RESISTORS IN TABLE ARE 0805, 25 PPM, 0.125W, +/-0.1%

ASSY TYPE	U1	RIN1	RQ1	R21	Z1B	RQ2	R22	Z1C	RQ3	R23	Z1A	RQ4	R24
DC266B-A	LTC1562AIG	150K	61.9K	46.4K	61.9K	68.1K	39.2K	61.9K	88.7K	53.6K	61.9K	100K	33.2K
DC266B-B	LTC1562IG-2	23.2K	23.2K	9.09K	23.2K	23.2K	7.32K	23.2K	29.4K	10.5K	23.2K	29.4K	6.34K

NOTES: UNLESS OTHERWISE SPECIFIED,  
1. ALL CAPACITORS AND RESISTORS ARE 0805

CUSTOMER NOTICE		APPROVALS		LINEAR TECHNOLOGY		1630 McCarthy Blvd. Milpitas, CA 95035 Phone: (408)432-1900 www.linear.com Fax: (408)434-0507 LTC Confidential-For Customer Use Only	
LINEAR TECHNOLOGY HAS MADE A BEST EFFORT TO DESIGN A CIRCUIT THAT MEETS CUSTOMER-SUPPLIED SPECIFICATIONS; HOWEVER, IT REMAINS THE CUSTOMER'S RESPONSIBILITY TO VERIFY PROPER AND RELIABLE OPERATION IN THE ACTUAL APPLICATION. COMPONENT SUBSTITUTION AND PRINTED CIRCUIT BOARD LAYOUT MAY SIGNIFICANTLY AFFECT CIRCUIT PERFORMANCE OR RELIABILITY. CONTACT LINEAR TECHNOLOGY APPLICATIONS ENGINEERING FOR ASSISTANCE.				PCB DES.	A.K.	TITLE: SCHEMATIC	
				APP ENG.	PHILIP K.	QUAD ACTIVE RC FILTER	
				SCALE	NONE	SIZE	N/A
						IC NO.	LTC1562
						REV. 2	
						DATE: Tuesday, April 21, 2015	
						SHEET 1 OF 1	