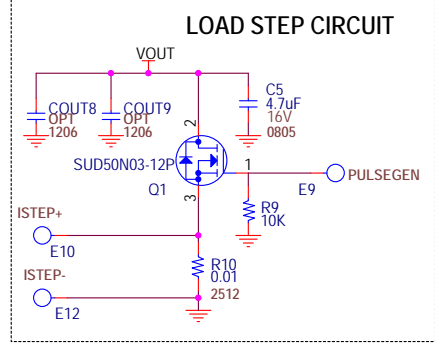
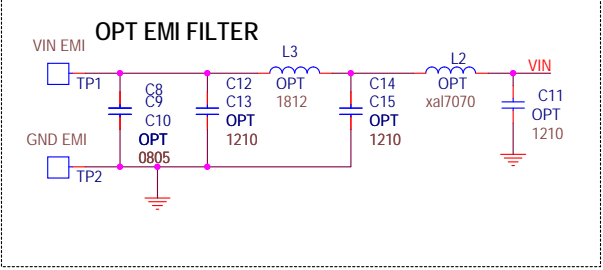
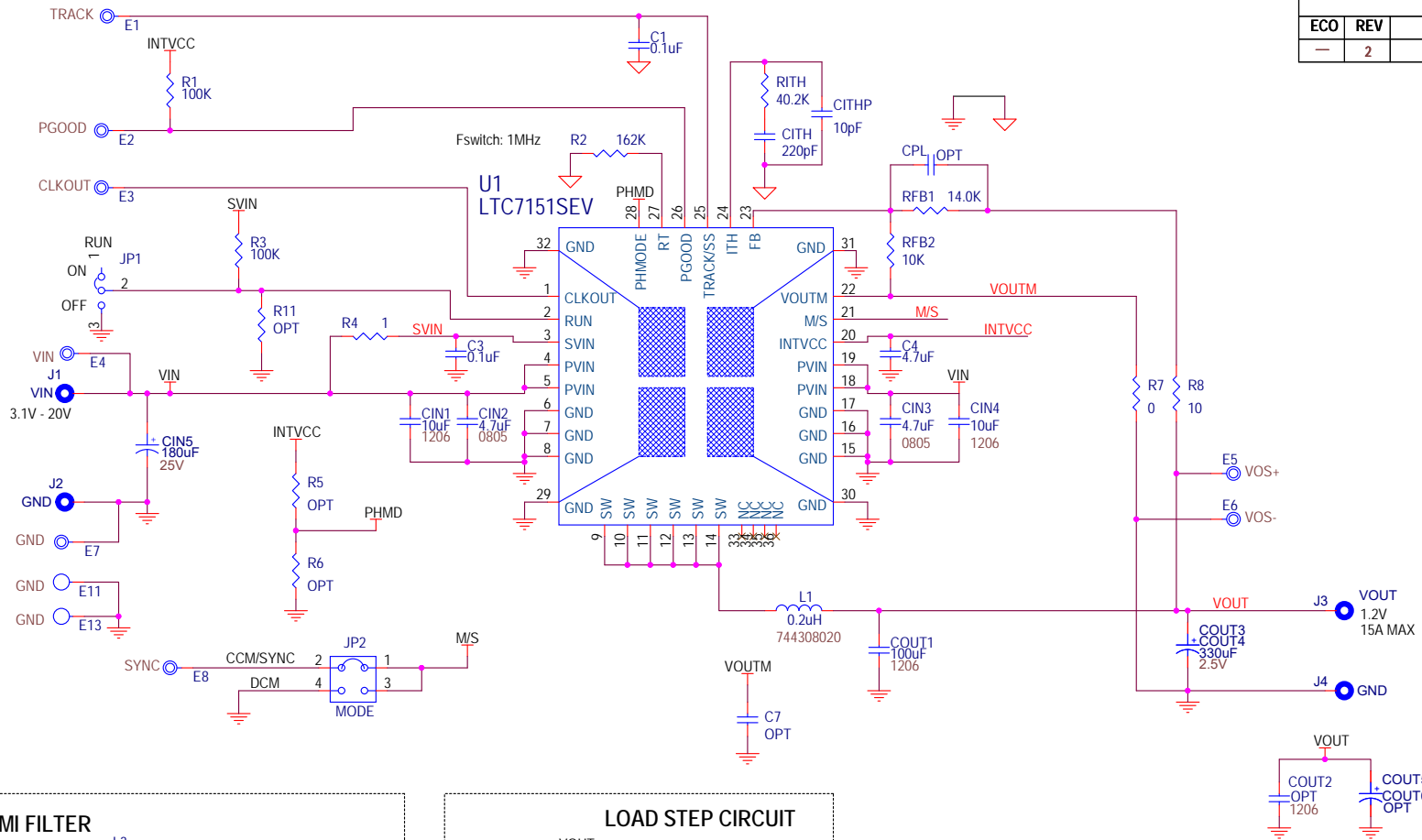


REVISION HISTORY

ECO	REV	DESCRIPTION	APPROVED	DATE
-	2	PRODUCTION	MIKE S.	5-7-18



CUSTOMER NOTICE
 ANALOG DEVICES HAS MADE A BEST EFFORT TO DESIGN A CIRCUIT THAT MEETS CUSTOMER-SUPPLIED SPECIFICATIONS; HOWEVER, IT REMAINS THE CUSTOMER'S RESPONSIBILITY TO VERIFY PROPER AND RELIABLE OPERATION IN THE ACTUAL APPLICATION. COMPONENT SUBSTITUTION AND PRINTED CIRCUIT BOARD LAYOUT MAY SIGNIFICANTLY AFFECT CIRCUIT PERFORMANCE OR RELIABILITY. CONTACT ANALOG DEVICES APPLICATIONS ENGINEERING FOR ASSISTANCE.

THIS CIRCUIT IS PROPRIETARY TO ANALOG DEVICES AND SUPPLIED FOR USE WITH ANALOG DEVICES PARTS.

APPROVALS

PCB DES.	HZ
APP ENG.	MS

ANALOG DEVICES POWER BY **LINEAR**

www.analog.com Phone: (408)432-1900

TITLE: SCHEMATIC
HIGH EFFICIENCY 15A SYNCHRONOUS BUCK REGULATOR

IC NO. LTC7151SEV	SCHEMATIC NO. AND REVISION: DC2615A_REV02
SKU NO. DC2615A	
SIZE: N/A	DATE: 6-25-18

SHEET 1 OF 1