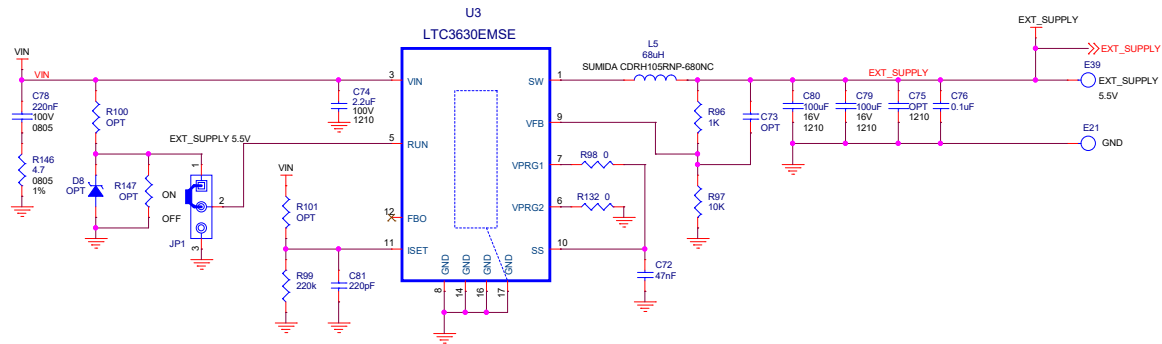
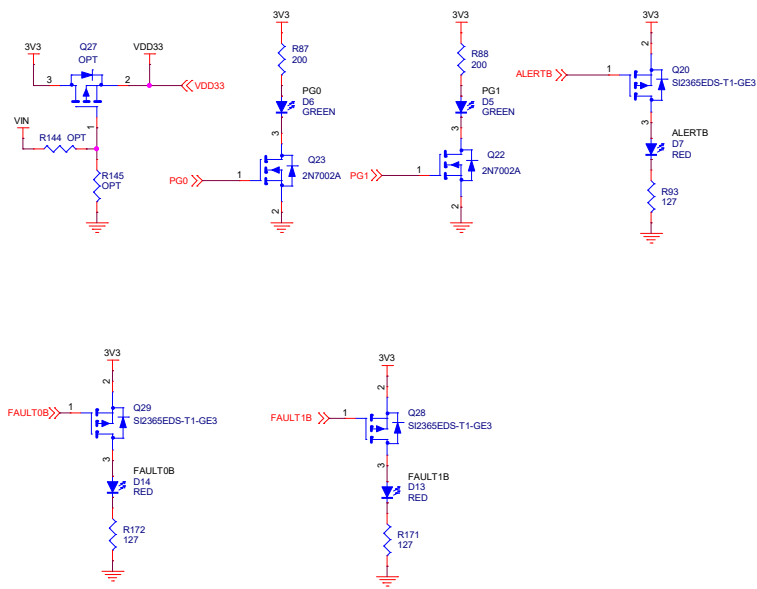
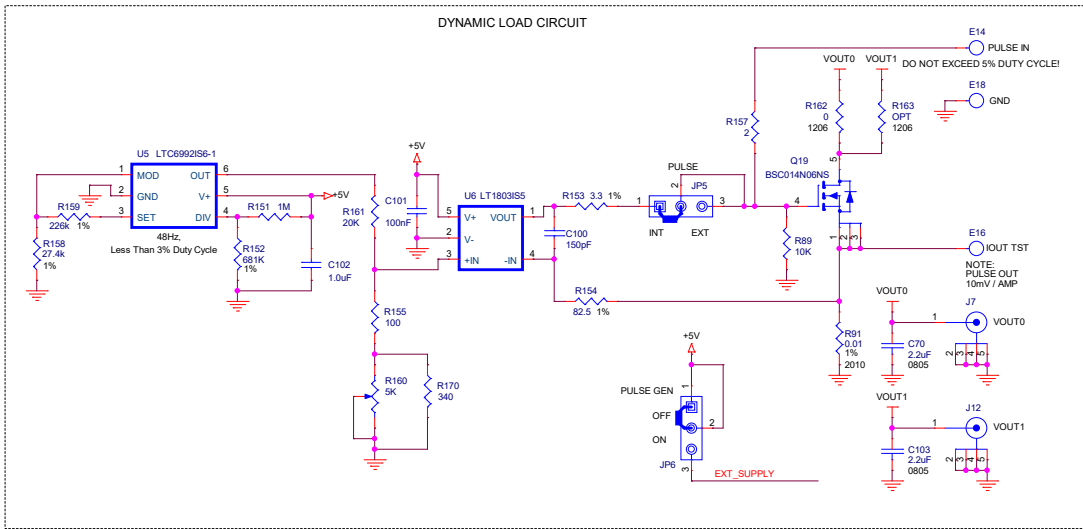


NOTE: UNLESS OTHERWISE SPECIFIED  
 1. ALL RESISTORS AND CAPACITORS ARE 0603.  
 2 FOR SINGLE OUTPUT CONFIGURATION.

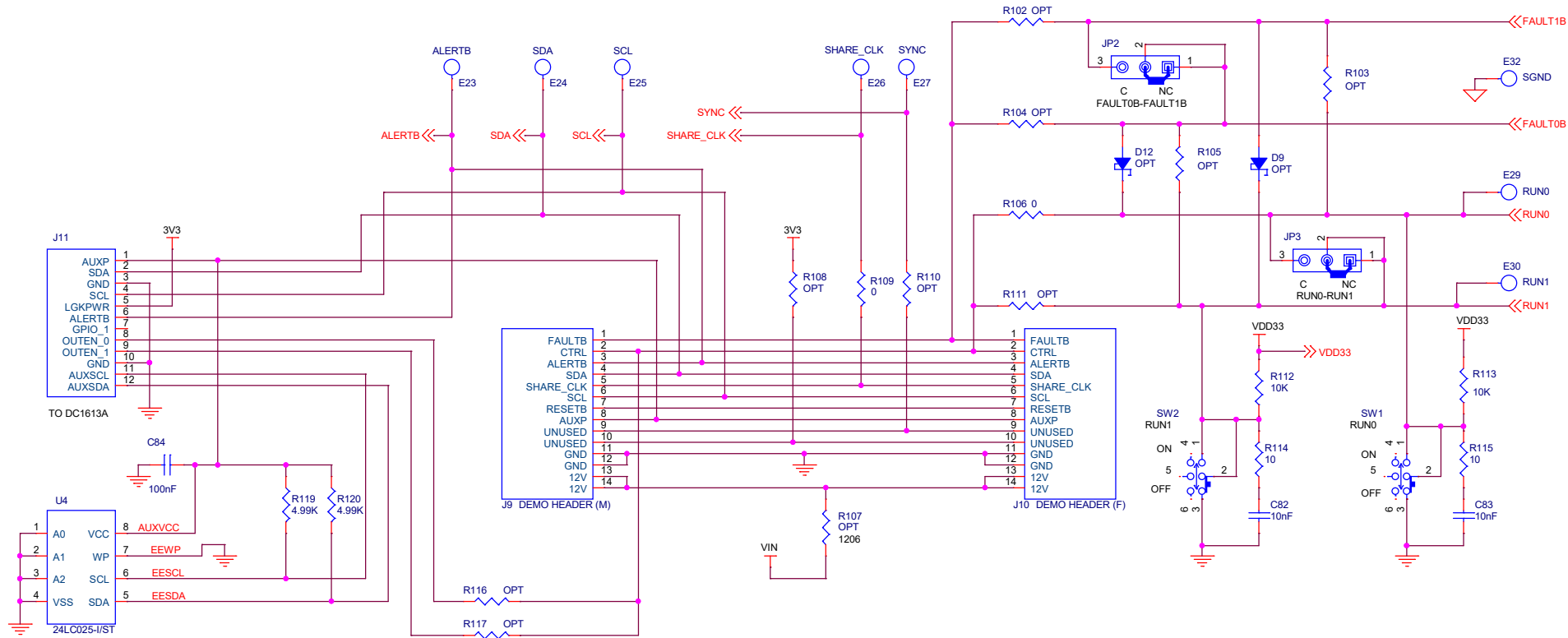
<b>CUSTOMER NOTICE</b> LINEAR TECHNOLOGY HAS MADE A BEST EFFORT TO DESIGN A CIRCUIT THAT MEETS CUSTOMER-SUPPLIED SPECIFICATIONS; HOWEVER, IT REMAINS THE CUSTOMER'S RESPONSIBILITY TO VERIFY PROPER AND RELIABLE OPERATION IN THE ACTUAL APPLICATION. COMPONENT SUBSTITUTION AND PRINTED CIRCUIT BOARD LAYOUT MAY SIGNIFICANTLY AFFECT CIRCUIT PERFORMANCE OR RELIABILITY. CONTACT LINEAR TECHNOLOGY APPLICATIONS ENGINEERING FOR ASSISTANCE.		<b>APPROVALS</b>			1630 McCarthy Blvd. Milpitas, CA 95035 Phone: (408)432-1900 www.linear.com Fax: (408)434-0507 LTC Confidential-For Customer Use Only	
		PCB DES. <i>MCS</i>	APP ENG. <i>SLW</i>		<b>TITLE: SCHEMATIC</b> <b>HIGH VOLTAGE DUAL STEP-DOWN DC/DC CONVERTER WITH POWER SYSTEM MANAGEMENT</b>	
THIS CIRCUIT IS PROPRIETARY TO LINEAR TECHNOLOGY AND SUPPLIED FOR USE WITH LINEAR TECHNOLOGY PARTS.		SCALE = NONE	SIZE N/A	IC NO. LTC3889IUKG	REV. 2	
		DATE: Wednesday, December 05, 2018	SHEET 1 OF 3			

ALL PARTS ON THIS PAGE ARE FOR DEMO ONLY, NOT NEEDED IN CUSTOMER DESIGN



<p><b>CUSTOMER NOTICE</b></p> <p>LINEAR TECHNOLOGY HAS MADE A BEST EFFORT TO DESIGN A CIRCUIT THAT MEETS CUSTOMER-SUPPLIED SPECIFICATIONS; HOWEVER, IT REMAINS THE CUSTOMER'S RESPONSIBILITY TO VERIFY PROPER AND RELIABLE OPERATION IN THE ACTUAL APPLICATION. COMPONENT SUBSTITUTION AND PRINTED CIRCUIT BOARD LAYOUT MAY SIGNIFICANTLY AFFECT CIRCUIT PERFORMANCE OR RELIABILITY. CONTACT LINEAR TECHNOLOGY APPLICATIONS ENGINEERING FOR ASSISTANCE.</p> <p>THIS CIRCUIT IS PROPRIETARY TO LINEAR TECHNOLOGY AND SUPPLIED FOR USE WITH LINEAR TECHNOLOGY PARTS.</p>	<p><b>APPROVALS</b></p> <p>PCB DES: <i>[Signature]</i></p> <p>APP ENG: <i>[Signature]</i></p>	<p><b>LINEAR TECHNOLOGY</b></p> <p>1630 McCarthy Blvd. Milpitas, CA 95035 Phone: (408)432-1900 www.linear.com Fax: (408)434-0507 LTC Confidential-For Customer Use Only</p>	
	<p><b>TITLE: SCHEMATIC</b></p> <p><b>HIGH VOLTAGE DUAL STEP-DOWN DC/DC CONVERTER WITH POWER SYSTEM MANAGEMENT</b></p>		
	<p>SIZE: N/A</p> <p>IC NO.: LTC3889IUKG</p> <p>DEMO CIRCUIT 2595A</p>		<p>REV. 2</p>
	<p>SCALE = NONE</p>		<p>DATE: Wednesday, December 05, 2018</p> <p>SHEET 2 OF 3</p>

ALL PARTS ON THIS PAGE ARE FOR DEMO ONLY, NOT NEEDED IN CUSTOMER DESIGN



<p><b>CUSTOMER NOTICE</b></p> <p>LINEAR TECHNOLOGY HAS MADE A BEST EFFORT TO DESIGN A CIRCUIT THAT MEETS CUSTOMER-SUPPLIED SPECIFICATIONS; HOWEVER, IT REMAINS THE CUSTOMER'S RESPONSIBILITY TO VERIFY PROPER AND RELIABLE OPERATION IN THE ACTUAL APPLICATION. COMPONENT SUBSTITUTION AND PRINTED CIRCUIT BOARD LAYOUT MAY SIGNIFICANTLY AFFECT CIRCUIT PERFORMANCE OR RELIABILITY. CONTACT LINEAR TECHNOLOGY APPLICATIONS ENGINEERING FOR ASSISTANCE.</p>		<p><b>APPROVALS</b></p>		<p>1630 McCarthy Blvd. Milpitas, CA 95035 Phone: (408)432-1900 www.linear.com Fax: (408)434-0507 LTC Confidential-For Customer Use Only</p>		
		<p>PCB DES. <i>MS</i></p>	<p>APP ENG. <i>HCW</i></p>		<p><b>TITLE: SCHEMATIC</b> <b>HIGH VOLTAGE DUAL STEP-DOWN DC/DC CONVERTER WITH POWER SYSTEM MANAGEMENT</b></p>	
<p>THIS CIRCUIT IS PROPRIETARY TO LINEAR TECHNOLOGY AND SUPPLIED FOR USE WITH LINEAR TECHNOLOGY PARTS.</p>		<p>SCALE = NONE</p>	<p>DATE: Wednesday, December 05, 2018</p>	<p>SIZE N/A</p>	<p>IC NO. <b>LTC3889IUKG</b> <b>DEMO CIRCUIT 2595A</b></p>	<p>REV. <b>2</b></p>
			<p>SHEET 3 OF 3</p>			