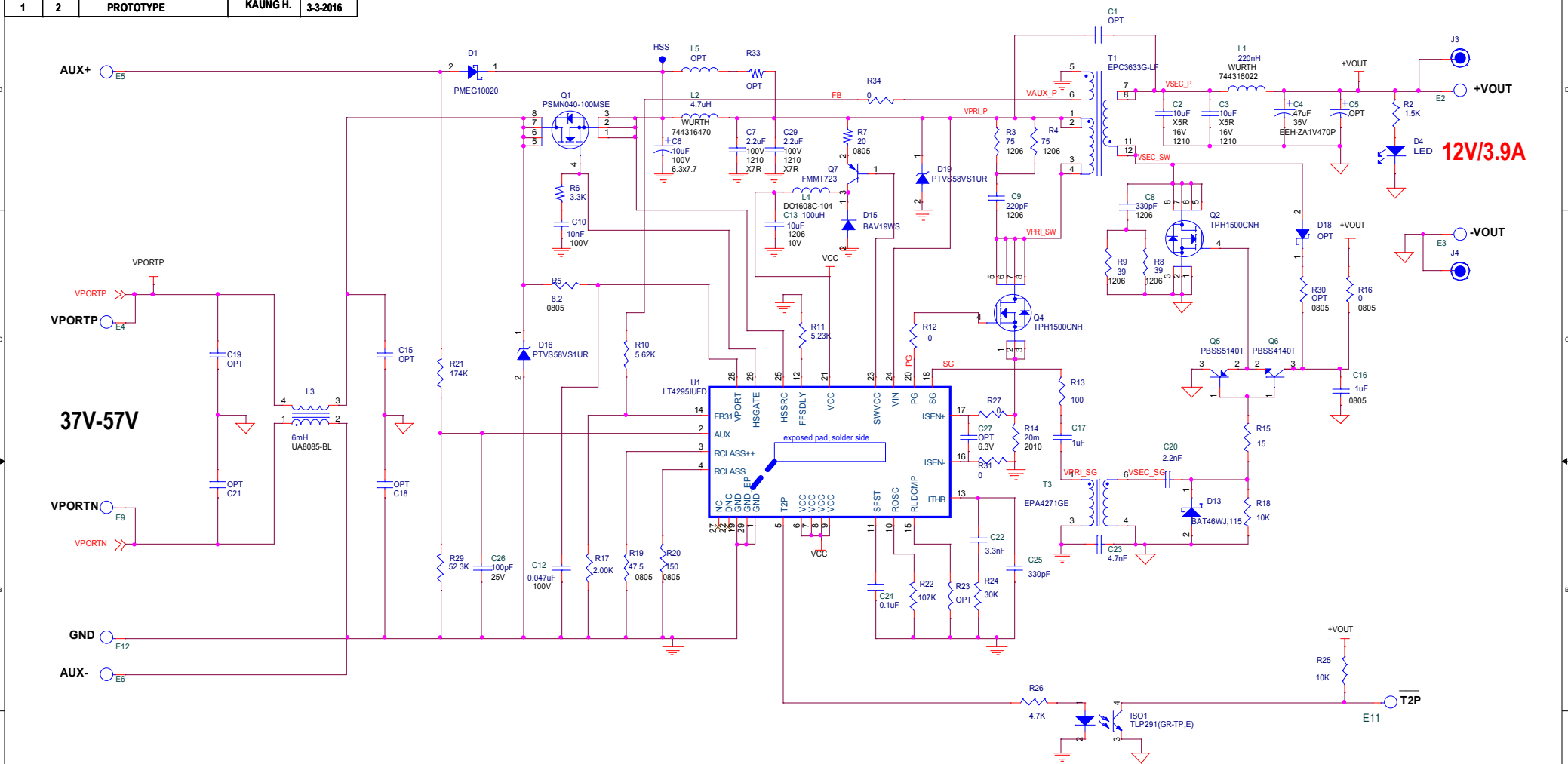


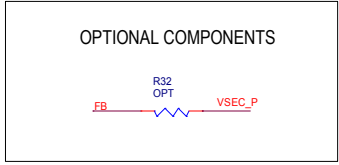
REVISION HISTORY

ECO	REV	DESCRIPTION	APPROVED	DATE
1	2	PROTOTYPE	KAUNG H.	3-3-2016



37V-57V

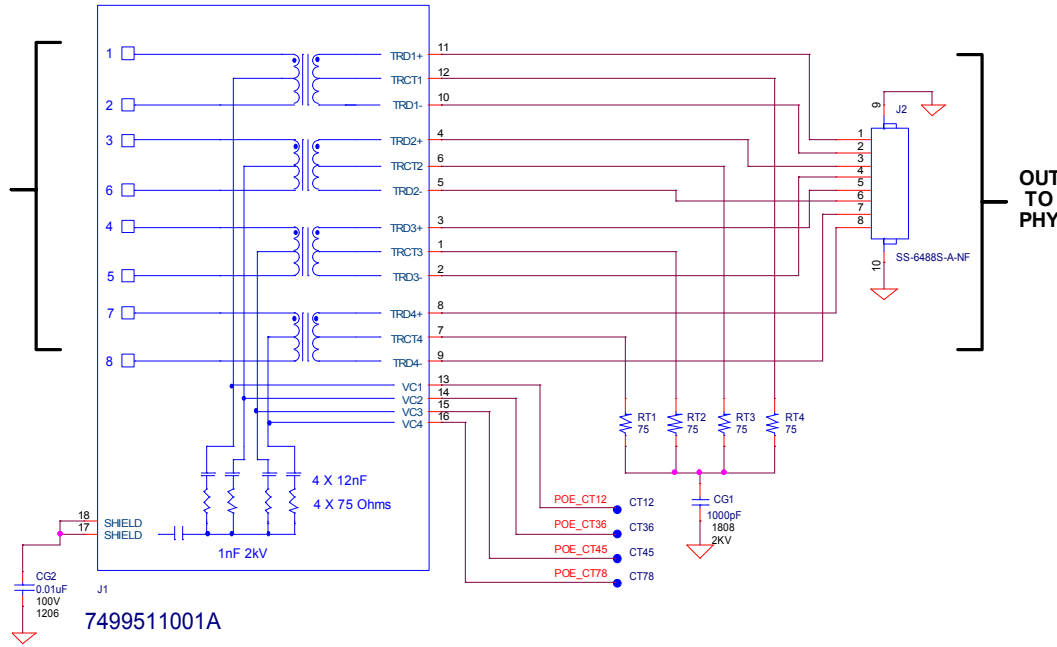
12V/3.9A



CUSTOMER NOTICE		APPROVALS		 1630 McCarthy Blvd. Milpitas, CA 95035 Phone: (408)432-1900 www.linear.com Fax: (408)434-0507 LTC Confidential-For Customer Use Only
LINEAR TECHNOLOGY HAS MADE A BEST EFFORT TO DESIGN A CIRCUIT THAT MEETS CUSTOMER-SUPPLIED SPECIFICATIONS; HOWEVER, IT REMAINS THE CUSTOMER'S RESPONSIBILITY TO VERIFY PROPER AND RELIABLE OPERATION IN THE ACTUAL APPLICATION. COMPONENT SUBSTITUTION AND PRINTED CIRCUIT BOARD LAYOUT MAY SIGNIFICANTLY AFFECT CIRCUIT PERFORMANCE OR RELIABILITY. CONTACT LINEAR TECHNOLOGY APPLICATIONS ENGINEERING FOR ASSISTANCE.		PCB DES.	K. HTOO	
		APP ENG.	K. HTOO	
TITLE: SCHEMATIC HIGH EFFICIENCY IEEE802.3bt PD WITH PoE IDEAL DIODE BRIDGE				
SIZE	IC NO.			
N/A	LT4295IUF, LT4321IUF DEMO CIRCUIT 2539A-A			
THIS CIRCUIT IS PROPRIETARY TO LINEAR TECHNOLOGY AND SUPPLIED FOR USE WITH LINEAR TECHNOLOGY PARTS.		SCALE = NONE		
DATE:	Monday, August 01, 2016			
			REV. 2	
			SHEET 1 OF 2	

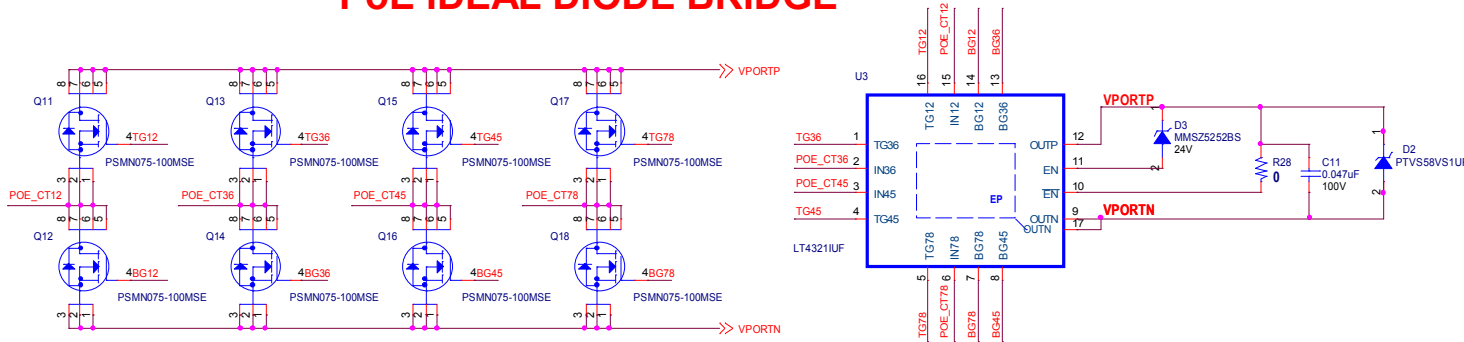
REVISION HISTORY				
ECO	REV	DESCRIPTION	APPROVED	DATE
1	2	PROTOTYPE	KAUNG H.	3-3-2016

IN FROM
PoE+
PSE



OUT TO
PHY

PoE IDEAL DIODE BRIDGE



CUSTOMER NOTICE

LINEAR TECHNOLOGY HAS MADE A BEST EFFORT TO DESIGN A CIRCUIT THAT MEETS CUSTOMER-SUPPLIED SPECIFICATIONS; HOWEVER, IT REMAINS THE CUSTOMER'S RESPONSIBILITY TO VERIFY PROPER AND RELIABLE OPERATION IN THE ACTUAL APPLICATION. COMPONENT SUBSTITUTION AND PRINTED CIRCUIT BOARD LAYOUT MAY SIGNIFICANTLY AFFECT CIRCUIT PERFORMANCE OR RELIABILITY. CONTACT LINEAR TECHNOLOGY APPLICATIONS ENGINEERING FOR ASSISTANCE.

THIS CIRCUIT IS PROPRIETARY TO LINEAR TECHNOLOGY AND SUPPLIED FOR USE WITH LINEAR TECHNOLOGY PARTS.

APPROVALS

PCB DES.	K. HTOO
APP ENG.	K. HTOO
SCALE	NONE
DATE:	Thursday, July 28, 2016



1630 McCarthy Blvd.
Milpitas, CA 95035
Phone: (408)432-1900 www.linear.com
Fax: (408)434-0507
LTC Confidential-For Customer Use Only

TITLE: SCHEMATIC
HIGH EFFICIENCY IEEE802.3bt PD WITH PoE IDEAL DIODE BRIDGE

SIZE	IC NO.	REV.
N/A	LT4295IUFD, LT4321IUF DEMO CIRCUIT 2539A-A	2
SHEET 2 OF 2		