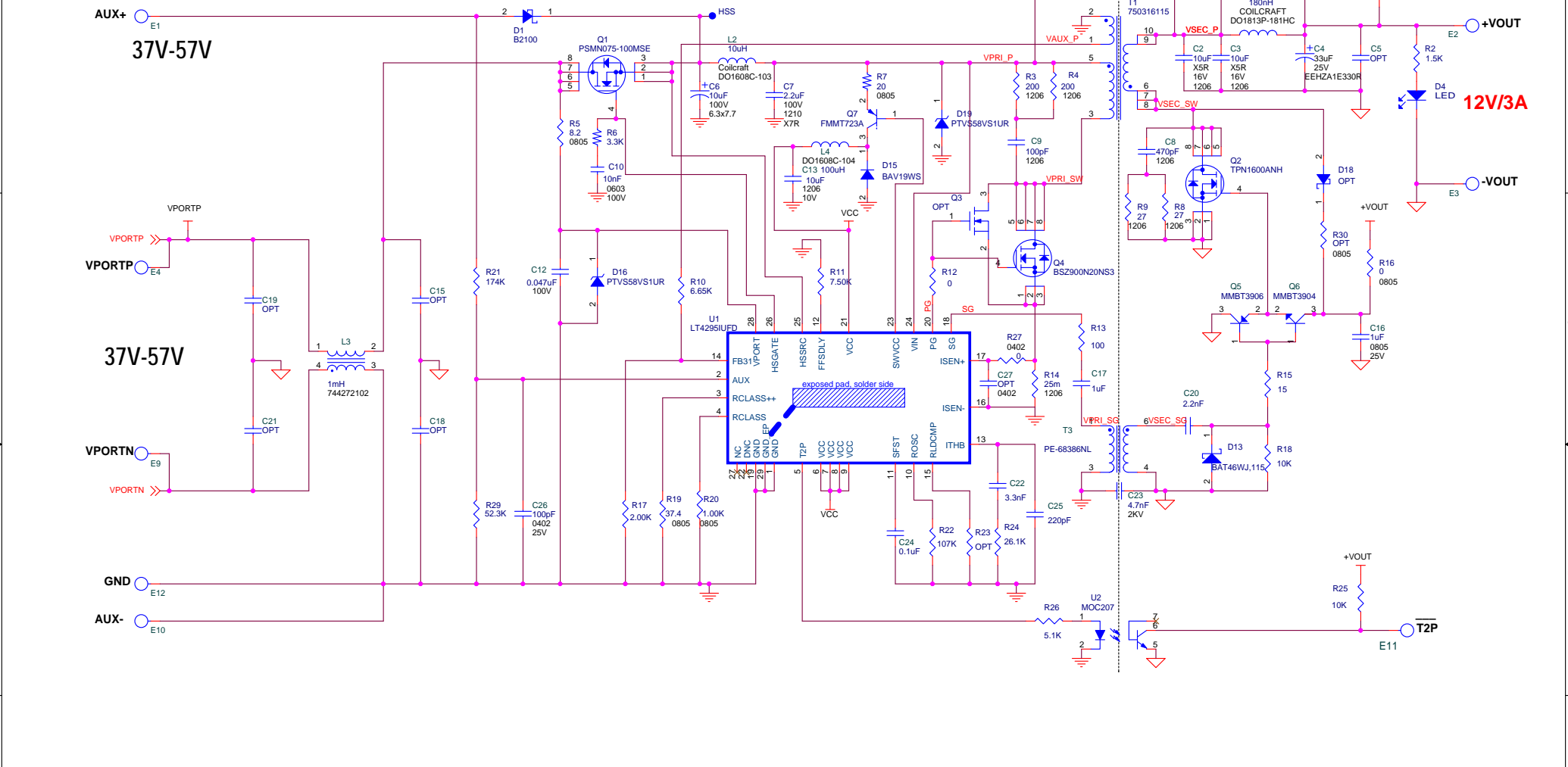
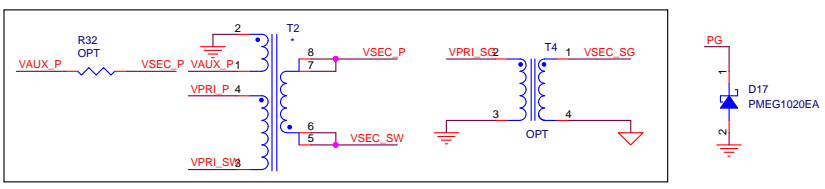


REVISION HISTORY

ECO	REV	DESCRIPTION	APPROVED	DATE
1	2	PRODUCTION	KAUNG H.	3-3-2016



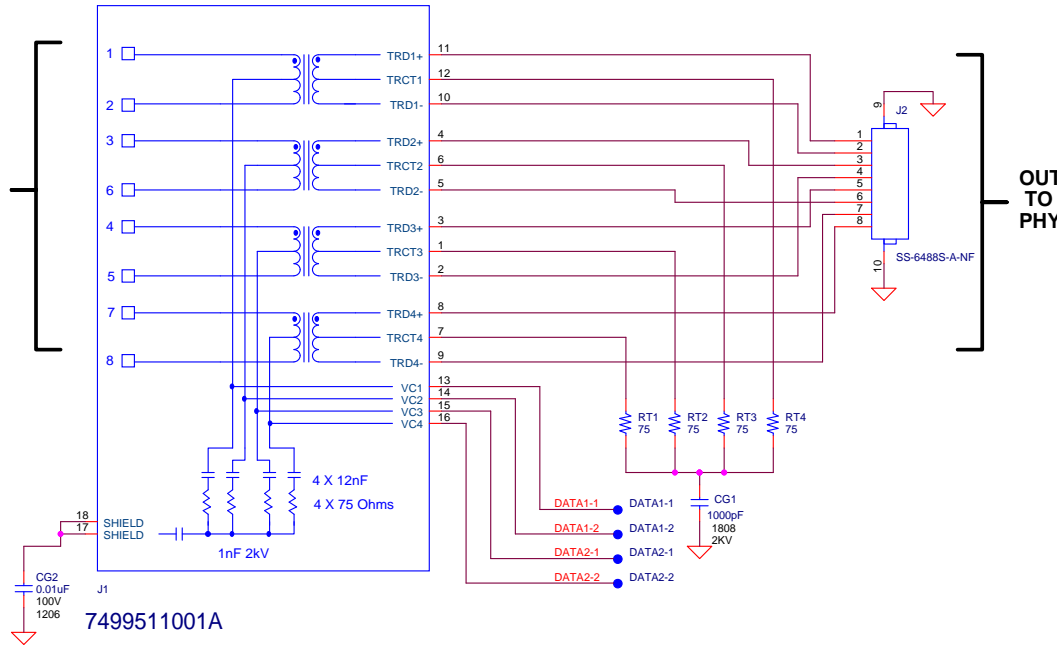
OPTIONAL COMPONENTS



CUSTOMER NOTICE		APPROVALS		LINEAR TECHNOLOGY	
<p>LINEAR TECHNOLOGY HAS MADE A BEST EFFORT TO DESIGN A CIRCUIT THAT MEETS CUSTOMER-SUPPLIED SPECIFICATIONS; HOWEVER, IT REMAINS THE CUSTOMER'S RESPONSIBILITY TO VERIFY PROPER AND RELIABLE OPERATION IN THE ACTUAL APPLICATION. COMPONENT SUBSTITUTION AND PRINTED CIRCUIT BOARD LAYOUT MAY SIGNIFICANTLY AFFECT CIRCUIT PERFORMANCE OR RELIABILITY. CONTACT LINEAR TECHNOLOGY APPLICATIONS ENGINEERING FOR ASSISTANCE.</p>		PCB DES.	K. HTOO	<p>1630 McCarthy Blvd. Milpitas, CA 95035 Phone: (408)432-1900 www.linear.com Fax: (408)434-0507 LTC Confidential-For Customer Use Only</p>	
<p>THIS CIRCUIT IS PROPRIETARY TO LINEAR TECHNOLOGY AND SUPPLIED FOR USE WITH LINEAR TECHNOLOGY PARTS.</p>		APP ENG.	K. HTOO	<p>TITLE: SCHEMATIC HIGH EFFICIENCY IEEE802.3bt PD WITH PoE IDEAL DIODE BRIDGE</p>	
		SCALE	NONE	SIZE	REV. 2
		DATE:	Thursday, June 02, 2016	IC NO.	LT4295IUF, LT4321IUF DEMO CIRCUIT 2475A-A
				SHEET 1 OF 2	

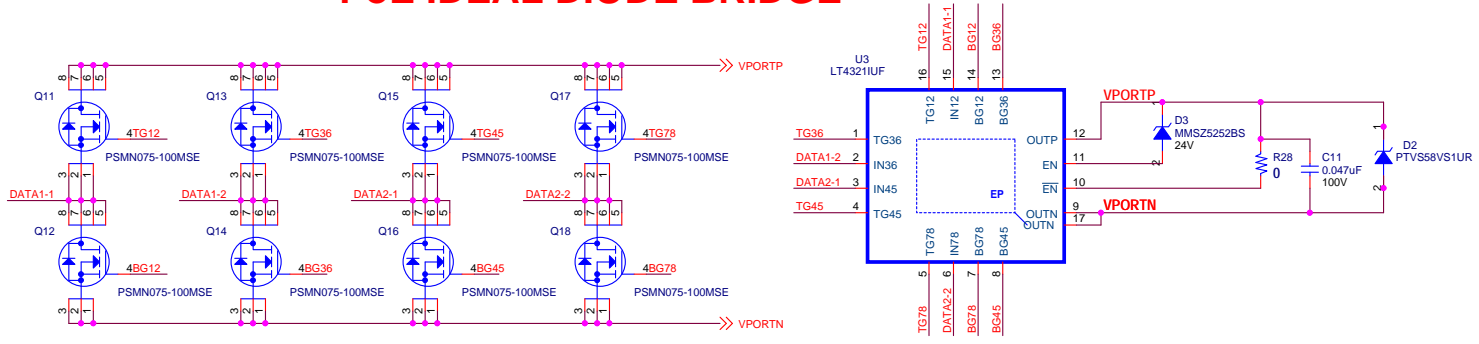
REVISION HISTORY				
ECO	REV	DESCRIPTION	APPROVED	DATE
1	2	PRODUCTION	KAUNG H.	3-3-2016

IN FROM
PoE+
PSE



OUT TO
PHY

PoE IDEAL DIODE BRIDGE



CUSTOMER NOTICE

LINEAR TECHNOLOGY HAS MADE A BEST EFFORT TO DESIGN A CIRCUIT THAT MEETS CUSTOMER-SUPPLIED SPECIFICATIONS; HOWEVER, IT REMAINS THE CUSTOMER'S RESPONSIBILITY TO VERIFY PROPER AND RELIABLE OPERATION IN THE ACTUAL APPLICATION. COMPONENT SUBSTITUTION AND PRINTED CIRCUIT BOARD LAYOUT MAY SIGNIFICANTLY AFFECT CIRCUIT PERFORMANCE OR RELIABILITY. CONTACT LINEAR TECHNOLOGY APPLICATIONS ENGINEERING FOR ASSISTANCE.

THIS CIRCUIT IS PROPRIETARY TO LINEAR TECHNOLOGY AND SUPPLIED FOR USE WITH LINEAR TECHNOLOGY PARTS.

APPROVALS

PCB DES.	K. HTOO
APP ENG.	K. HTOO
SCALE	NONE



1630 McCarthy Blvd.
Milpitas, CA 95035
Phone: (408)432-1900 www.linear.com
Fax: (408)434-0507
LTC Confidential-For Customer Use Only

TITLE: SCHEMATIC
HIGH EFFICIENCY IEEE802.3bt PD WITH PoE IDEAL DIODE BRIDGE

SIZE N/A IC NO. LT4295IUFD, LT4321IUF
DEMO CIRCUIT 2475A-A REV. 2

DATE: Thursday, June 02, 2016 SHEET 2 OF 2