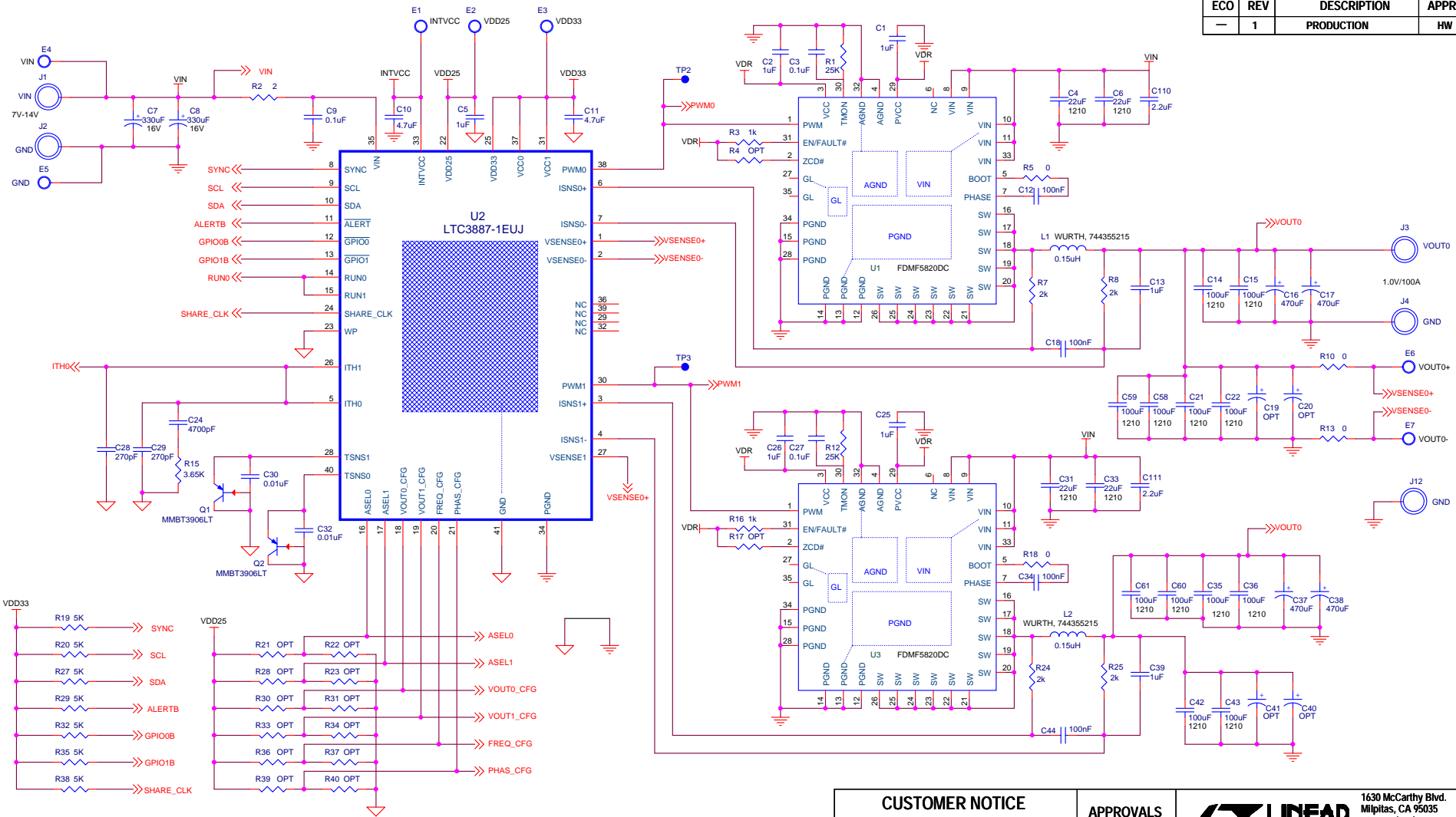




REVISION HISTORY				
ECO	REV	DESCRIPTION	APPROVED	DATE
-	1	PRODUCTION	HW	1-11-16



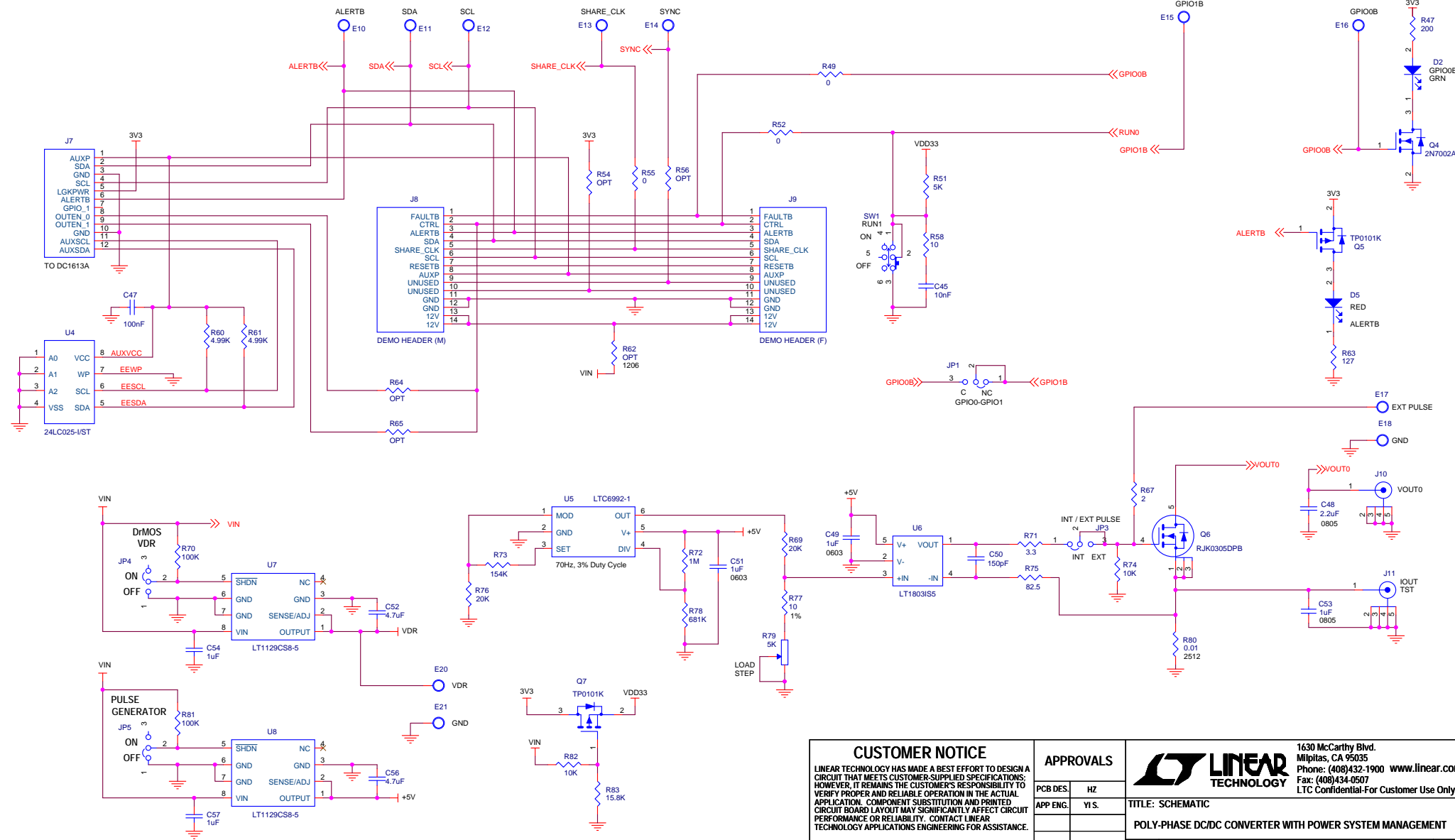
**NOTE: UNLESS OTHERWISE SPECIFIED**

1. ALL RESISTORS ARE IN 0603.
2. ALL CAPACITORS ARE IN 0603.
3. INSTALL SHUNTS AS SHOWN.

CUSTOMER NOTICE		APPROVALS		 1630 McCarthy Blvd. Milpitas, CA 95035 Phone: (408)432-1900 www.linear.com Fax: (408)434-0507 LTC Confidential-For Customer Use Only
LINEAR TECHNOLOGY HAS MADE A BEST EFFORT TO DESIGN A CIRCUIT THAT MEETS CUSTOMER-SUPPLIED SPECIFICATIONS; HOWEVER, IT REMAINS THE CUSTOMER'S RESPONSIBILITY TO VERIFY PROPER AND RELIABLE OPERATION IN THE ACTUAL APPLICATION. COMPONENT SUBSTITUTION AND PRINTED CIRCUIT BOARD LAYOUT MAY SIGNIFICANTLY AFFECT CIRCUIT PERFORMANCE OR RELIABILITY. CONTACT LINEAR TECHNOLOGY APPLICATIONS ENGINEERING FOR ASSISTANCE.		PCB DES.	HZ	
THIS CIRCUIT IS PROPRIETARY TO LINEAR TECHNOLOGY AND SUPPLIED FOR USE WITH LINEAR TECHNOLOGY PARTS.		APP ENG.	HW	
		SCALE = NONE		
		DATE:	Wednesday, May 18, 2016	
		SHEET	1 OF 3	

POLY-PHASE DC/DC CONVERTER WITH POWER SYSTEM MANAGEMENT		IC NO.	REV.
 <b>LTC3887-1EUJ</b> <b>DEMO CIRCUIT 2454A</b>			1





**CUSTOMER NOTICE**  
 LINEAR TECHNOLOGY HAS MADE A BEST EFFORT TO DESIGN A CIRCUIT THAT MEETS CUSTOMER-SUPPLIED SPECIFICATIONS; HOWEVER, IT REMAINS THE CUSTOMER'S RESPONSIBILITY TO VERIFY PROPER AND RELIABLE OPERATION IN THE ACTUAL APPLICATION. COMPONENT SUBSTITUTION AND PRINTED CIRCUIT BOARD LAYOUT MAY SIGNIFICANTLY AFFECT CIRCUIT PERFORMANCE OR RELIABILITY. CONTACT LINEAR TECHNOLOGY APPLICATIONS ENGINEERING FOR ASSISTANCE.

THIS CIRCUIT IS PROPRIETARY TO LINEAR TECHNOLOGY AND SUPPLIED FOR USE WITH LINEAR TECHNOLOGY PARTS.

APPROVALS	
PCB DES.	HZ
APP ENG.	YI.S.
SCALE = NONE	

	1630 McCarthy Blvd. Milpitas, CA 95035 Phone: (408)432-1900 www.linear.com Fax: (408)434-0507 LTC Confidential-For Customer Use Only	
	<b>TITLE: SCHEMATIC</b> <b>POLY-PHASE DC/DC CONVERTER WITH POWER SYSTEM MANAGEMENT</b>	
<b>SIZE</b> N/A	<b>IC NO.</b> <b>LTC3887-1EUJ</b> <b>DEMO CIRCUIT 2454A</b>	<b>REV.</b> 1
<b>DATE:</b> Monday, January 18, 2016		<b>SHEET</b> 3 <b>OF</b> 3