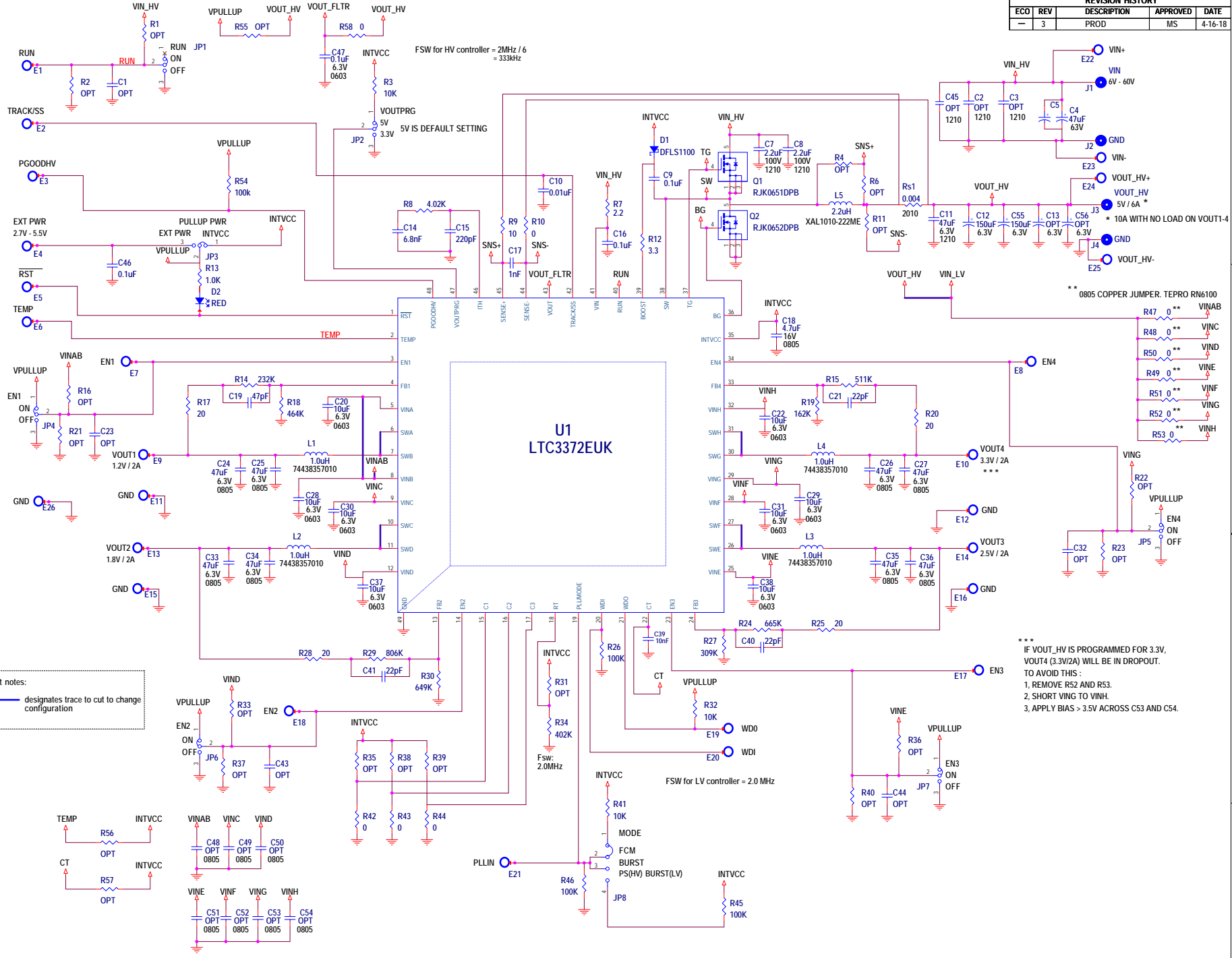


REVISION HISTORY				
ECO	REV	DESCRIPTION	APPROVED	DATE
-	3	PROD	MS	4-16-18



Layout notes:
 designates trace to cut to change configuration

** 0805 COPPER JUMPER. TEPRO RN6100

*** IF VOUT_HV IS PROGRAMMED FOR 3.3V, VOUT4 (3.3V/2A) WILL BE IN DROPOUT. TO AVOID THIS :
 1, REMOVE R52 AND R53.
 2, SHORT VING TO VINH.
 3, APPLY BIAS > 3.5V ACROSS C53 AND C54.

CUSTOMER NOTICE <small>ANALOG DEVICES HAS MADE A BEST EFFORT TO DESIGN A CIRCUIT THAT MEETS CUSTOMER-SUPPLIED SPECIFICATIONS. HOWEVER, IT REMAINS THE CUSTOMER'S RESPONSIBILITY TO VERIFY PROPER AND RELIABLE OPERATION IN THE ACTUAL APPLICATION. COMPONENT SUBSTITUTION AND PRINTED CIRCUIT BOARD LAYOUT MAY SIGNIFICANTLY AFFECT CIRCUIT PERFORMANCE OR RELIABILITY. CONTACT ANALOG DEVICES APPLICATIONS ENGINEERING FOR ASSISTANCE.</small>	APPROVALS PCB DES. HZ APP ENG. MS		 <small>www.analog.com Phone: (408)432-1900</small>	
	TITLE: SCHEMATIC 4 CHANNEL 8A CONFIGURABLE BUCK PLUS LOW IQ HIGH VOLTAGE BUCK SUPPLY			
	IC NO. LTC3372EUK SKU NO. DC2419A			SCHEMATIC NO. AND REVISION: DC2419A_REV03
	THIS CIRCUIT IS PROPRIETARY TO ANALOG DEVICES AND SUPPLIED FOR USE WITH ANALOG DEVICES PARTS.			SIZE: N/A DATE: 6-12-18