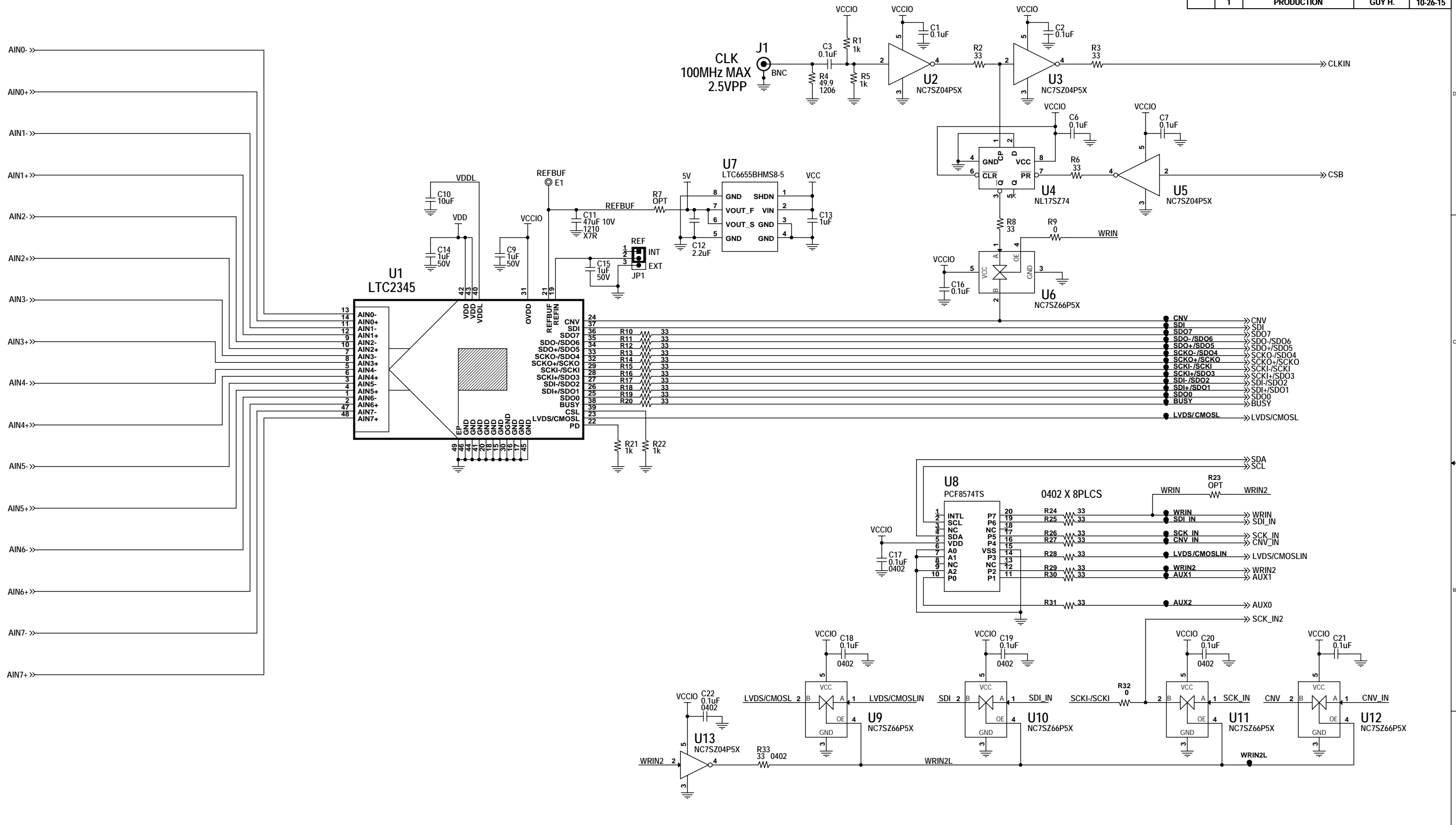


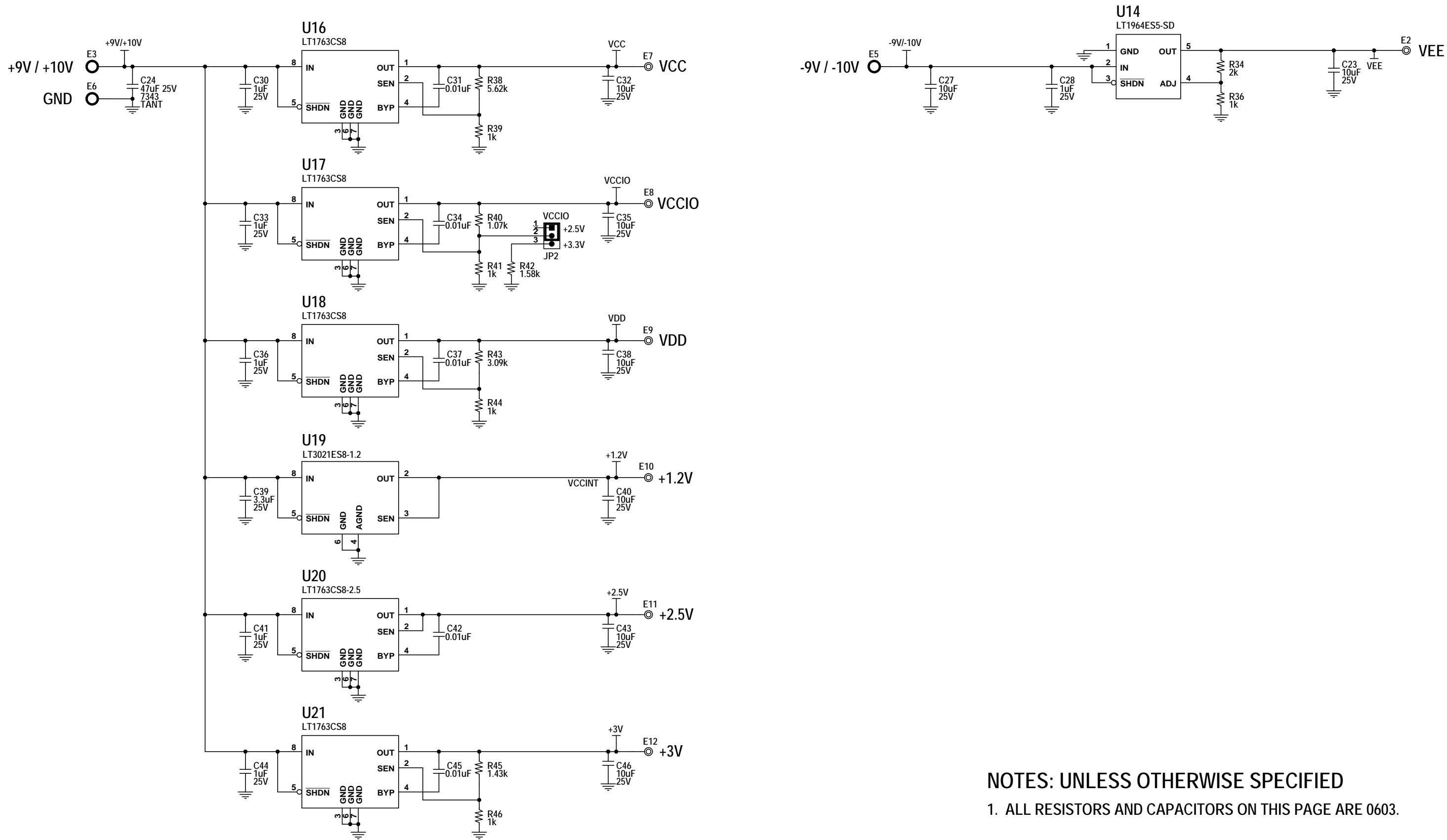
REVISION HISTORY				
ECO	REV	DESCRIPTION	APPROVED	DATE
	1	PRODUCTION	GUY H.	10-26-15



**NOTES: UNLESS OTHERWISE SPECIFIED**  
 1. ALL RESISTORS AND CAPACITORS ON THIS PAGE ARE 0603.

ASSY	U1	SUFFIX	-Bit	Ksps	R61
A	LTC2345-18	45-18	18	200	0
B	LTC2345-16	45-16	16	200	OPT

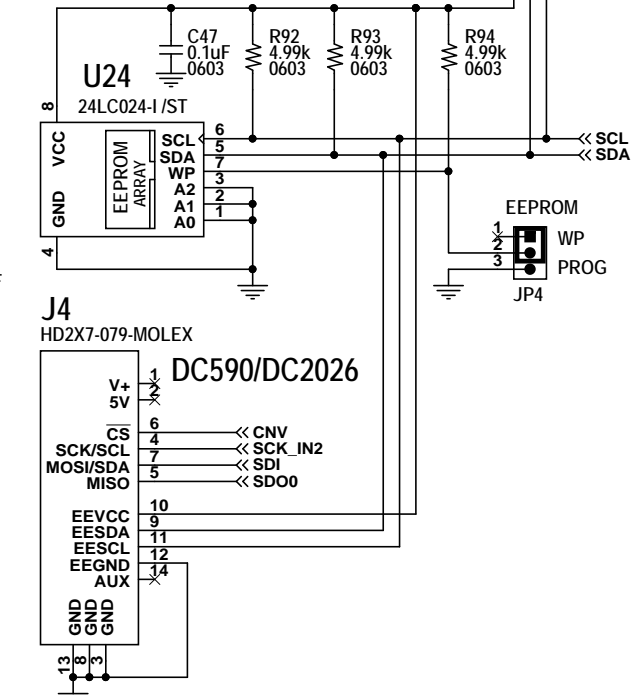
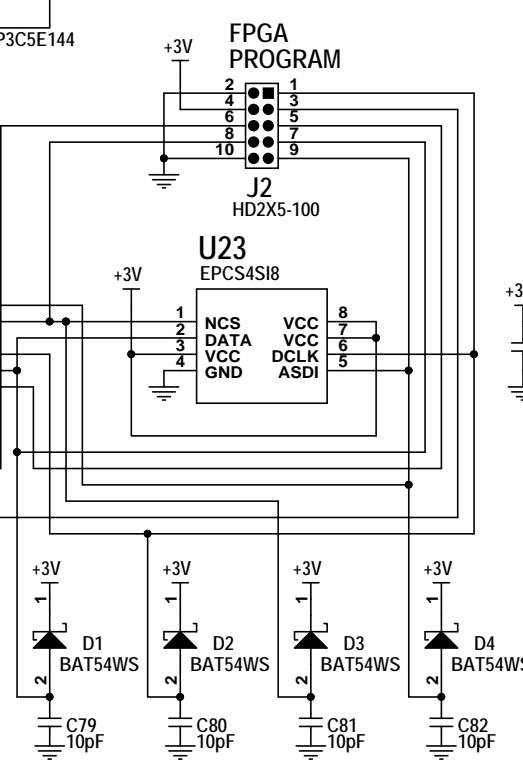
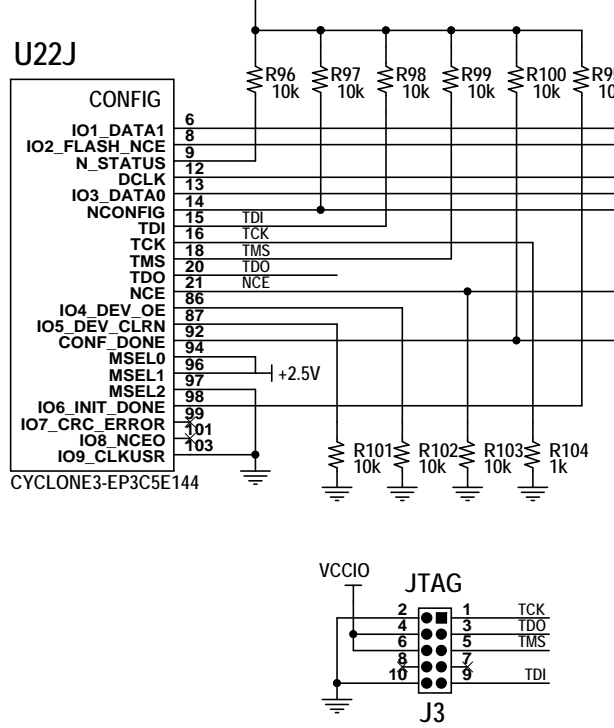
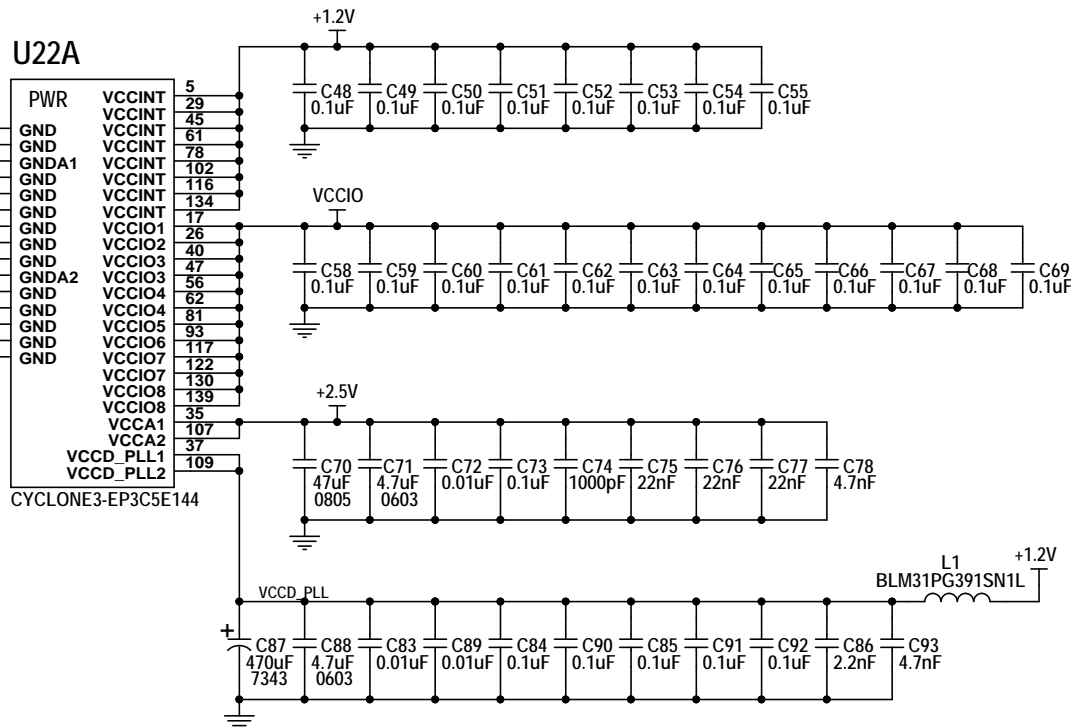
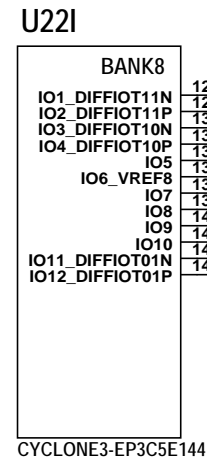
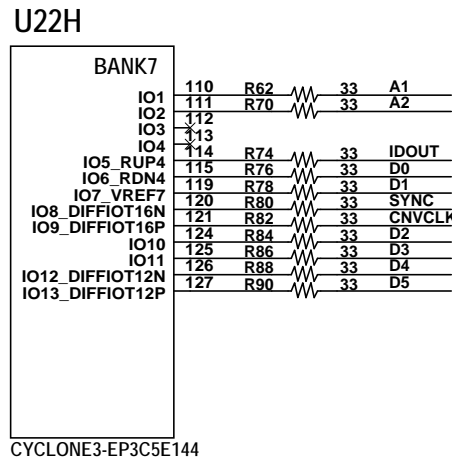
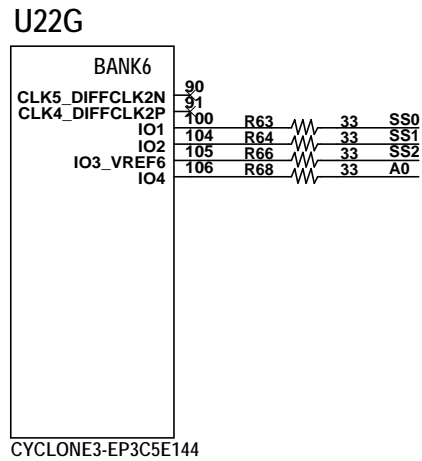
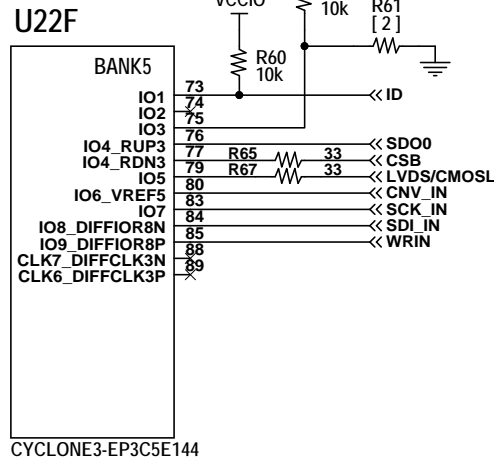
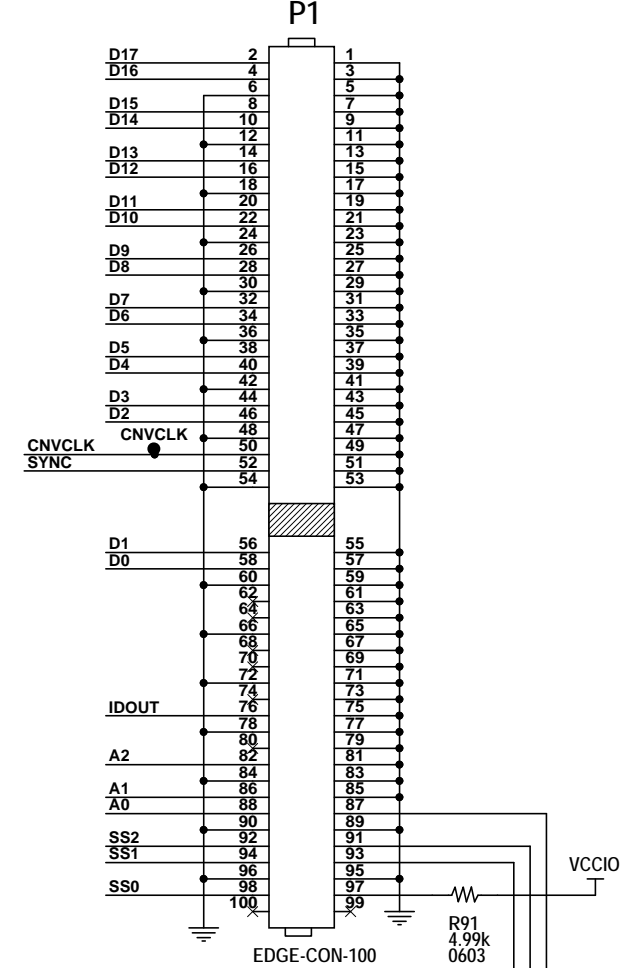
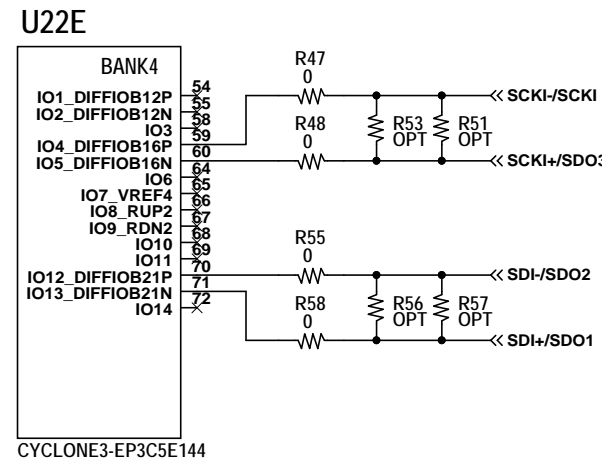
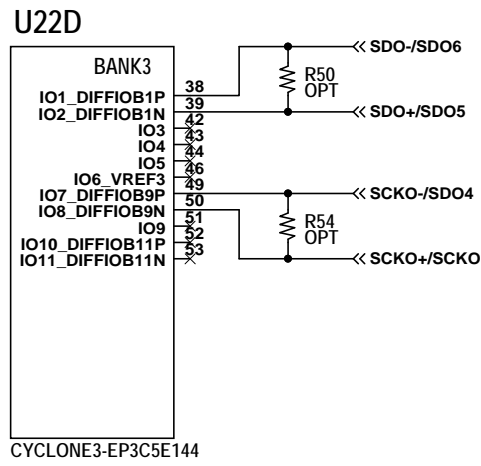
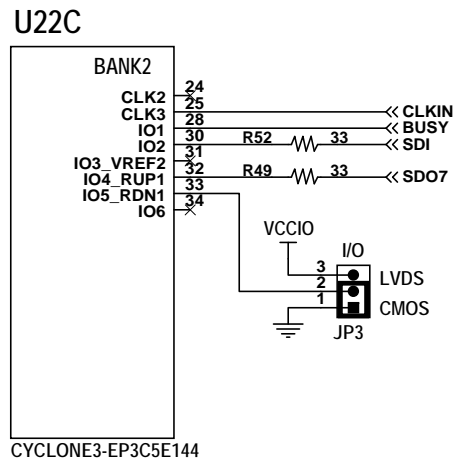
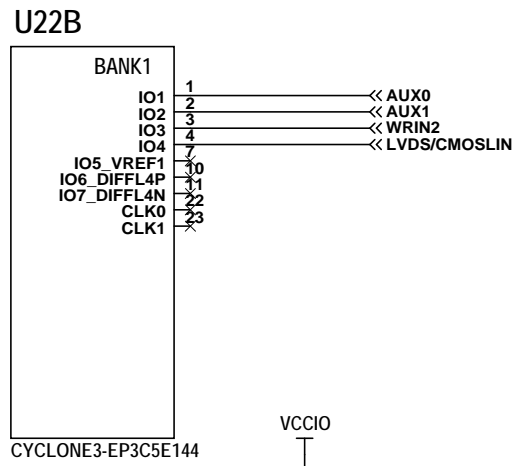
CUSTOMER NOTICE		APPROVALS		LINEAR TECHNOLOGY	
LINEAR TECHNOLOGY HAS MADE A BEST EFFORT TO DESIGN A CIRCUIT THAT MEETS CUSTOMER-SUPPLIED SPECIFICATIONS; HOWEVER, IT REMAINS THE CUSTOMER'S RESPONSIBILITY TO VERIFY PROPER AND RELIABLE OPERATION IN THE ACTUAL APPLICATION. COMPONENT SUBSTITUTION AND PRINTED CIRCUIT BOARD LAYOUT MAY SIGNIFICANTLY AFFECT CIRCUIT PERFORMANCE OR RELIABILITY. CONTACT LINEAR TECHNOLOGY APPLICATIONS ENGINEERING FOR ASSISTANCE.		PCB DES.	KIM T.	1630 McCarthy Blvd. Milpitas, CA 95035 Phone: (408)432-1900 www.linear.com Fax: (408)434-0507 LTC Confidential-For Customer Use Only	
THIS CIRCUIT IS PROPRIETARY TO LINEAR TECHNOLOGY AND SUPPLIED FOR USE WITH LINEAR TECHNOLOGY PARTS.		APP ENG.	GUY H.	TITLE: SCHEMATIC 8-CHANNEL, SOFTSPAN, HIGH SPEED, SERIAL, SAR, ADC	
SCALE = NONE		SIZE	B	IC NO.	LTC2345IU FAMILY DEMO CIRCUIT 2326A
		DATE:	Monday, October 26, 2015	REV.	1
		SHEET 1 OF 4			



**NOTES: UNLESS OTHERWISE SPECIFIED**

1. ALL RESISTORS AND CAPACITORS ON THIS PAGE ARE 0603.

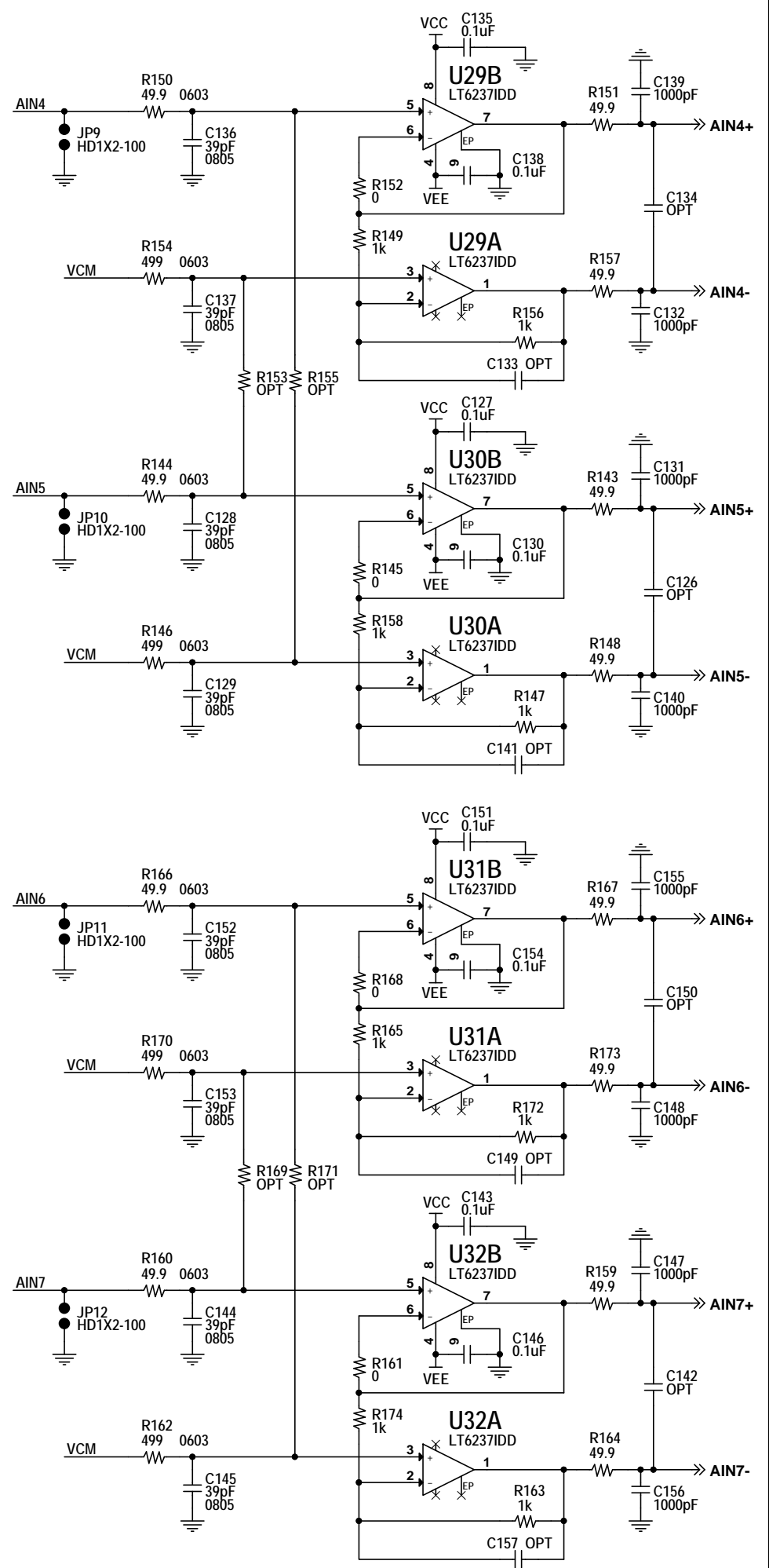
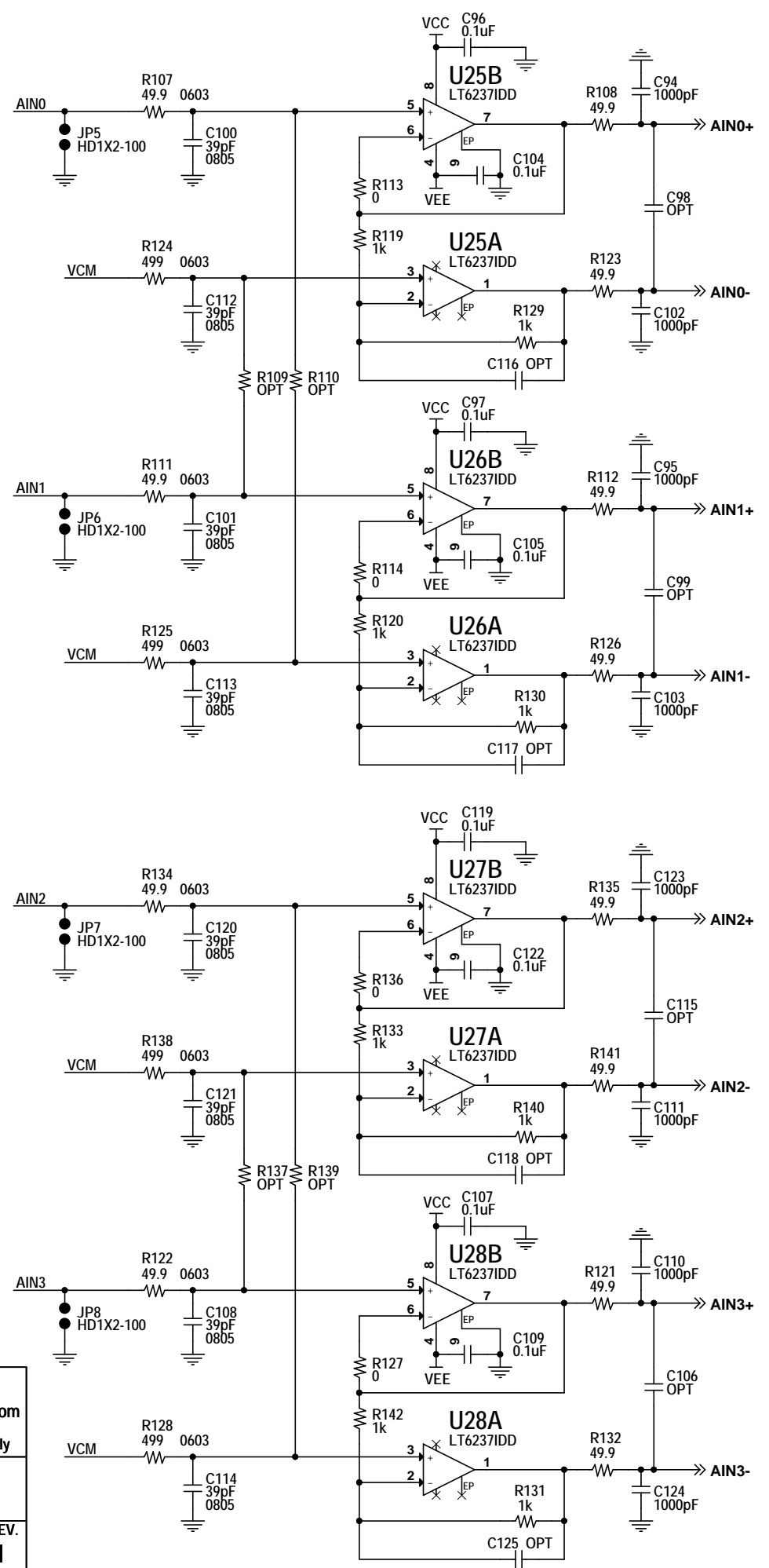
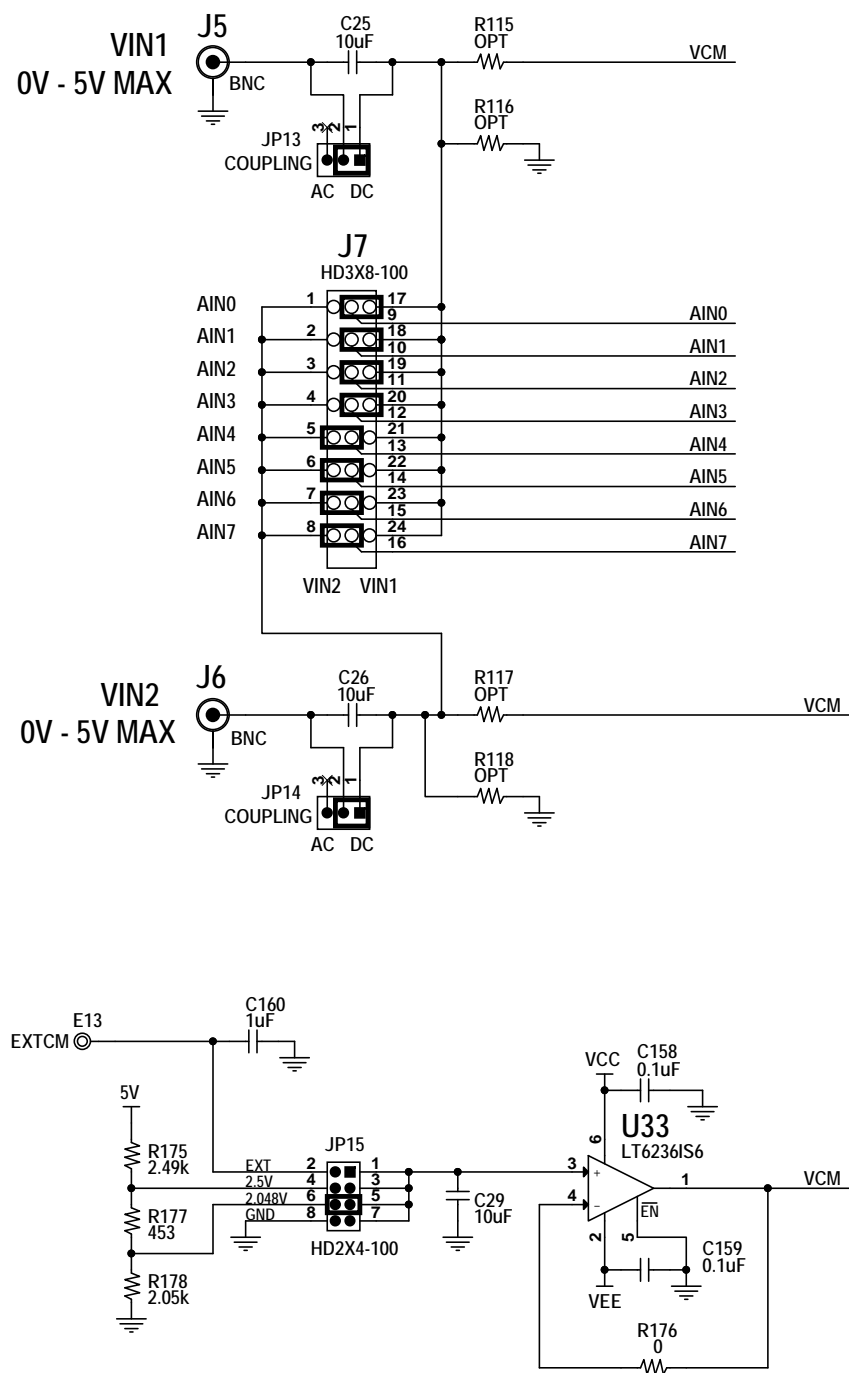
<p><b>CUSTOMER NOTICE</b></p> <p>LINEAR TECHNOLOGY HAS MADE A BEST EFFORT TO DESIGN A CIRCUIT THAT MEETS CUSTOMER-SUPPLIED SPECIFICATIONS; HOWEVER, IT REMAINS THE CUSTOMER'S RESPONSIBILITY TO VERIFY PROPER AND RELIABLE OPERATION IN THE ACTUAL APPLICATION. COMPONENT SUBSTITUTION AND PRINTED CIRCUIT BOARD LAYOUT MAY SIGNIFICANTLY AFFECT CIRCUIT PERFORMANCE OR RELIABILITY. CONTACT LINEAR TECHNOLOGY APPLICATIONS ENGINEERING FOR ASSISTANCE.</p>		<p><b>APPROVALS</b></p>		<p><b>LINEAR TECHNOLOGY</b></p> <p>1630 McCarthy Blvd. Milpitas, CA 95035 Phone: (408)432-1900 www.linear.com Fax: (408)434-0507 LTC Confidential-For Customer Use Only</p>			
		PCB DES.	KIM T.			APP ENG.	GUY H.
<p>THIS CIRCUIT IS PROPRIETARY TO LINEAR TECHNOLOGY AND SUPPLIED FOR USE WITH LINEAR TECHNOLOGY PARTS.</p>		SCALE = NONE		<p>TITLE: SCHEMATIC</p> <p><b>8-CHANNEL, SOFTSPAN, HIGH SPEED, SERIAL, SAR, ADC</b></p>			
		DATE:	Tuesday, June 23, 2015	SIZE	B	IC NO.	LTC2345IUK FAMILY DEMO CIRCUIT 2326A
				SHEET 2 OF 4			



**NOTES: UNLESS OTHERWISE SPECIFIED**

1. ALL RESISTORS AND CAPACITORS ON THIS PAGE ARE 0402.
2. R61 IS 0 OHMS ON "A" ASSEMBLY TYPE AND OPTIONAL ON "B" ASSEMBLY TYPE.

<p><b>CUSTOMER NOTICE</b></p> <p>LINEAR TECHNOLOGY HAS MADE A BEST EFFORT TO DESIGN A CIRCUIT THAT MEETS CUSTOMER-SUPPLIED SPECIFICATIONS; HOWEVER, IT REMAINS THE CUSTOMER'S RESPONSIBILITY TO VERIFY PROPER AND RELIABLE OPERATION IN THE ACTUAL APPLICATION. COMPONENT SUBSTITUTION AND PRINTED CIRCUIT BOARD LAYOUT MAY SIGNIFICANTLY AFFECT CIRCUIT PERFORMANCE OR RELIABILITY. CONTACT LINEAR TECHNOLOGY APPLICATIONS ENGINEERING FOR ASSISTANCE.</p>		<p><b>APPROVALS</b></p>			<p>1630 McCarthy Blvd. Milpitas, CA 95035 Phone: (408)432-1900 www.linear.com Fax: (408)434-0507 LTC Confidential-For Customer Use Only</p>		
		PCB DES.	KIM T.		<p>TITLE: SCHEMATIC</p> <p><b>8-CHANNEL, SOFTSPAN, HIGH SPEED, SERIAL, SAR, ADC</b></p>		
APP ENG.	GUY H.	SIZE	IC NO.	<p><b>LTC2345IUk FAMILY</b></p> <p><b>DEMO CIRCUIT 2326A</b></p>		REV.	1
<p>THIS CIRCUIT IS PROPRIETARY TO LINEAR TECHNOLOGY AND SUPPLIED FOR USE WITH LINEAR TECHNOLOGY PARTS.</p>		SCALE = NONE	DATE:	<p>Monday, October 26, 2015</p>		<p>SHEET 3 OF 4</p>	



**NOTES: UNLESS OTHERWISE SPECIFIED**  
 1. ALL RESISTORS AND CAPACITORS ON THIS PAGE ARE 0402.

<b>CUSTOMER NOTICE</b> LINEAR TECHNOLOGY HAS MADE A BEST EFFORT TO DESIGN A CIRCUIT THAT MEETS CUSTOMER-SUPPLIED SPECIFICATIONS; HOWEVER, IT REMAINS THE CUSTOMER'S RESPONSIBILITY TO VERIFY PROPER AND RELIABLE OPERATION IN THE ACTUAL APPLICATION. COMPONENT SUBSTITUTION AND PRINTED CIRCUIT BOARD LAYOUT MAY SIGNIFICANTLY AFFECT CIRCUIT PERFORMANCE OR RELIABILITY. CONTACT LINEAR TECHNOLOGY APPLICATIONS ENGINEERING FOR ASSISTANCE.		<b>APPROVALS</b>		 1630 McCarthy Blvd. Milpitas, CA 95035 Phone: (408)432-1900 www.linear.com Fax: (408)434-0507 LTC Confidential-For Customer Use Only
PCB DES.	KIM T.	APP ENG.	GUY H.	
TITLE: SCHEMATIC				SIZE B IC NO. <b>LTC2345IUK FAMILY</b> <b>DEMO CIRCUIT 2326A</b>
REV. 1				
DATE: Monday, October 26, 2015				SHEET 4 OF 4

THIS CIRCUIT IS PROPRIETARY TO LINEAR TECHNOLOGY AND SUPPLIED FOR USE WITH LINEAR TECHNOLOGY PARTS.