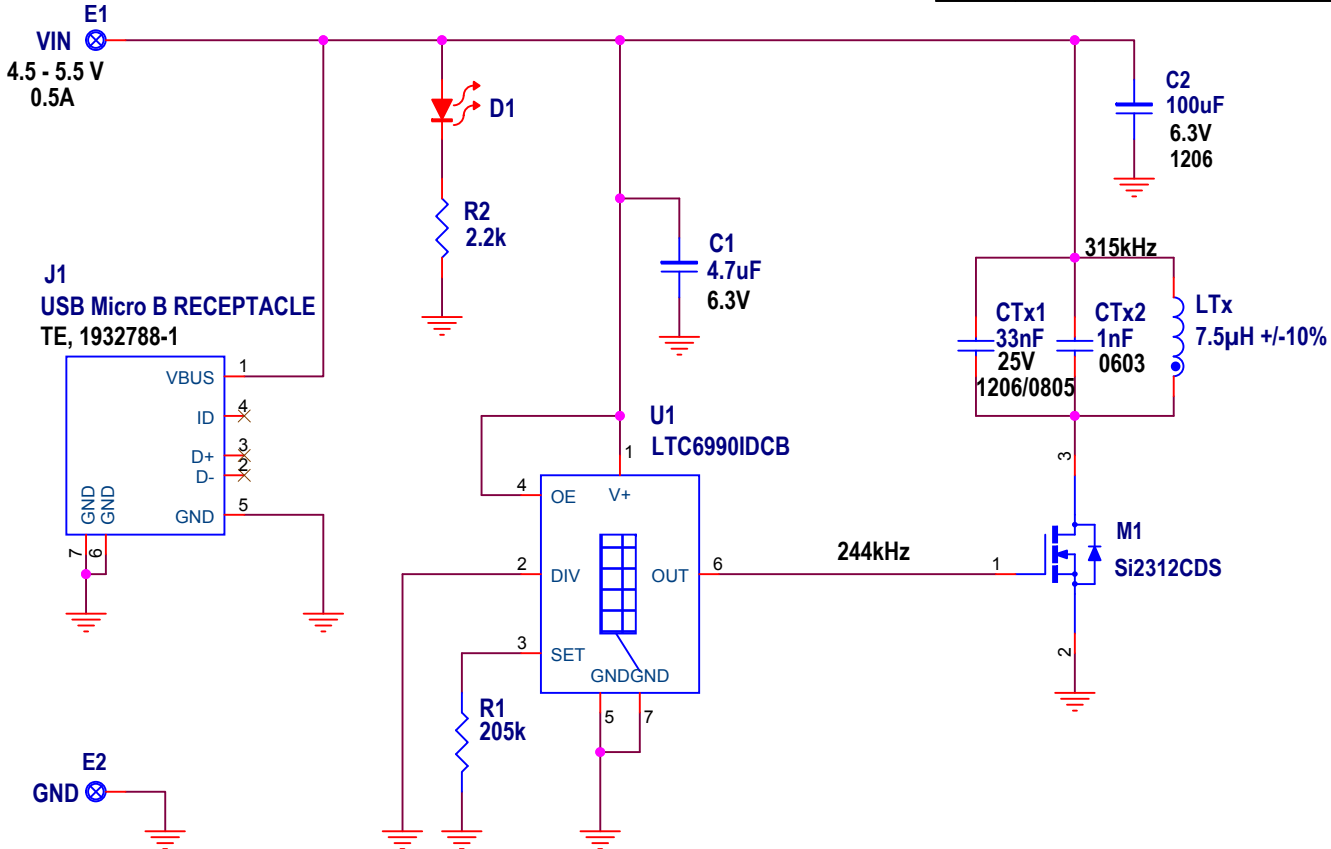



REVISION HISTORY				
ECO	REV	DESCRIPTION	APPROVED	DATE
-	2	PRODUCTION FAB	GEORGE B.	10 - 5 - 15



UNLESS NOTED:
 RESISTORS: OHMS, 0402, 1%, 1/16W
 CAPACITORS: uF, 0402, 10%, 50V

<p align="center">CUSTOMER NOTICE</p> <p>LINEAR TECHNOLOGY HAS MADE A BEST EFFORT TO DESIGN A CIRCUIT THAT MEETS CUSTOMER-SUPPLIED SPECIFICATIONS; HOWEVER, IT REMAINS THE CUSTOMER'S RESPONSIBILITY TO VERIFY PROPER AND RELIABLE OPERATION IN THE ACTUAL APPLICATION. COMPONENT SUBSTITUTION AND PRINTED CIRCUIT BOARD LAYOUT MAY SIGNIFICANTLY AFFECT CIRCUIT PERFORMANCE OR RELIABILITY. CONTACT LINEAR TECHNOLOGY APPLICATIONS ENGINEERING FOR ASSISTANCE.</p>	APPROVALS		 <p>1630 McCarthy Blvd. Milpitas, CA 95035 Phone: (408)432-1900 www.linear.com Fax: (408)434-0507 LTC Confidential-For Customer Use Only</p>					
	PCB DES.	NC		<p>TITLE: SCHEMATIC</p> <p align="center">SINGLE SWITCH TRANSMITTER FOR LTC4123EDC</p>				
	APP ENG.	GEORGE B.						
<p>THIS CIRCUIT IS PROPRIETARY TO LINEAR TECHNOLOGY AND SUPPLIED FOR USE WITH LINEAR TECHNOLOGY PARTS.</p>	SCALE = NONE	<table border="1"> <tr> <td>SIZE</td> <td>IC NO.</td> <td>REV.</td> </tr> <tr> <td>N/A</td> <td>LTC4123EDC DEMO CIRCUIT2301A</td> <td>2</td> </tr> </table>	SIZE	IC NO.	REV.	N/A	LTC4123EDC DEMO CIRCUIT2301A	2
SIZE	IC NO.	REV.						
N/A	LTC4123EDC DEMO CIRCUIT2301A	2						
DATE: 10 - 5 - 15		SHEET 1 OF 1						