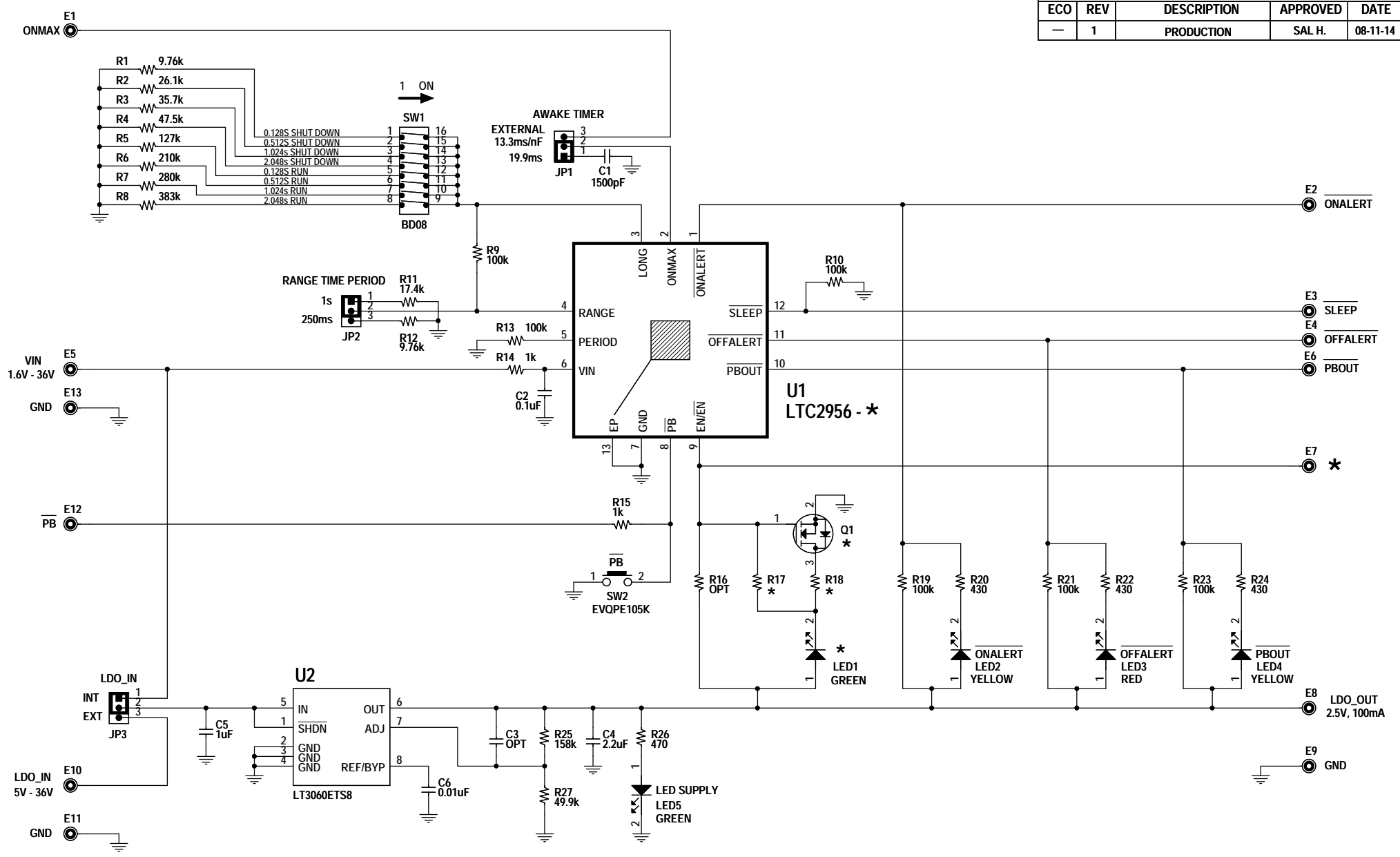


REVISION HISTORY				
ECO	REV	DESCRIPTION	APPROVED	DATE
-	1	PRODUCTION	SAL H.	08-11-14



NOTE: UNLESS OTHERWISE SPECIFIED

1. ALL RESISTORS ARE IN OHMS, 0402. ALL CAPACITORS ARE IN MICROFARADS, 0603.

*

ASSY	U1	SUFFIX	E7, LED1	Q1	R17	R18
A	LTC2956 - 1	1	EN	2N7002	OPT	430
B	LTC2956 - 2	2	$\overline{\text{EN}}$	OPT	430	OPT

CUSTOMER NOTICE		APPROVALS		LINEAR TECHNOLOGY	
LINEAR TECHNOLOGY HAS MADE A BEST EFFORT TO DESIGN A CIRCUIT THAT MEETS CUSTOMER-SUPPLIED SPECIFICATIONS; HOWEVER, IT REMAINS THE CUSTOMER'S RESPONSIBILITY TO VERIFY PROPER AND RELIABLE OPERATION IN THE ACTUAL APPLICATION. COMPONENT SUBSTITUTION AND PRINTED CIRCUIT BOARD LAYOUT MAY SIGNIFICANTLY AFFECT CIRCUIT PERFORMANCE OR RELIABILITY. CONTACT LINEAR TECHNOLOGY APPLICATIONS ENGINEERING FOR ASSISTANCE.		PCB DES.	KIM T.	1630 McCarthy Blvd. Milpitas, CA 95035 Phone: (408)432-1900 www.linear.com Fax: (408)434-0507 LTC Confidential-For Customer Use Only	
		APP ENG.	SAL H.		
		TITLE: SCHEMATIC		WAKE UP TIMER WITH PUSH BUTTON CONTROL	
		SIZE	IC NO.	LTC2956IUD-1 / 2	
		N/A	DEMO CIRCUIT 2254A		REV. 1
THIS CIRCUIT IS PROPRIETARY TO LINEAR TECHNOLOGY AND SUPPLIED FOR USE WITH LINEAR TECHNOLOGY PARTS.		SCALE = NONE		DATE: Monday, August 11, 2014	
				SHEET 1 OF 1	