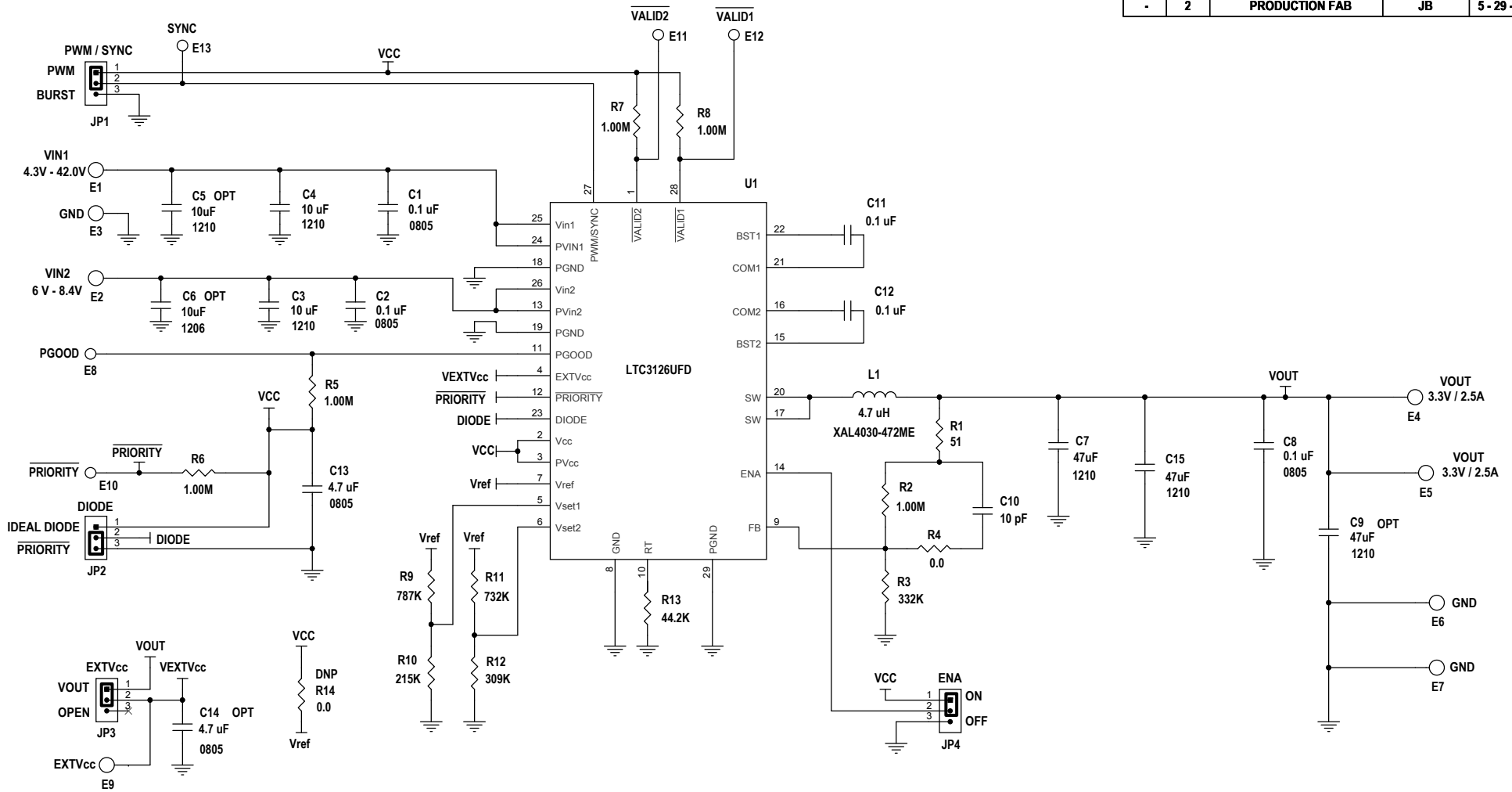


REVISION HISTORY				
ECO	REV	DESCRIPTION	APPROVED	DATE
-	2	PRODUCTION FAB	JB	5-29-15



PIN 8 (QUIET GROUND) MUST BE CONNECTED TO PINS 18, 19 AND 29 (POWER GROUND) DIRECTLY UNDER THE LTC3126. COMPONENTS CONNECTED TO THE QUIET GROUND PIN8 (R4, R7, R9, R12, C9, C14, JP1-3, JP2-3, JP4-3) SHOULD BE ON THE QUIET GROUND PLANE WHICH SHOULD ALSO BE UNDER R1, R2, R5, R6, R8, AND JP3.

NOTE: UNLESS OTHERWISE SPECIFIED

1. ALL RESISTORS ARE IN OHMS, 0402.
2. ALL CAPACITORS ARE 0402 UNLESS OTHERWISE NOTED
3. INSTALL SHUNTS AS SHOWN.

CUSTOMER NOTICE		APPROVALS		LINEAR TECHNOLOGY			
LINEAR TECHNOLOGY HAS MADE A BEST EFFORT TO DESIGN A CIRCUIT THAT MEETS CUSTOMER-SUPPLIED SPECIFICATIONS; HOWEVER, IT REMAINS THE CUSTOMER'S RESPONSIBILITY TO VERIFY PROPER AND RELIABLE OPERATION IN THE ACTUAL APPLICATION. COMPONENT SUBSTITUTION AND PRINTED CIRCUIT BOARD LAYOUT MAY SIGNIFICANTLY AFFECT CIRCUIT PERFORMANCE OR RELIABILITY. CONTACT LINEAR TECHNOLOGY APPLICATIONS ENGINEERING FOR ASSISTANCE.		PCB DES.	NC	TITLE: SCHEMATIC 42V, 2.5A SYNCHRONOUS STEP-DOWN REGULATOR WITH LOSSLESS POWERPATH			
		APP ENG.	JB				
		SIZE	N/A	IC NO.	LTC3126UFD	REV.	2
		THIS CIRCUIT IS PROPRIETARY TO LINEAR TECHNOLOGY AND SUPPLIED FOR USE WITH LINEAR TECHNOLOGY PARTS.		SCALE = NONE	DATE:	5-29-15	SHEET 1 OF 1

1630 McCarthy Blvd.
 Milpitas, CA 95035
 Phone: (408)432-1900 www.linear.com
 Fax: (408)434-0507
 LTC Confidential-For Customer Use Only