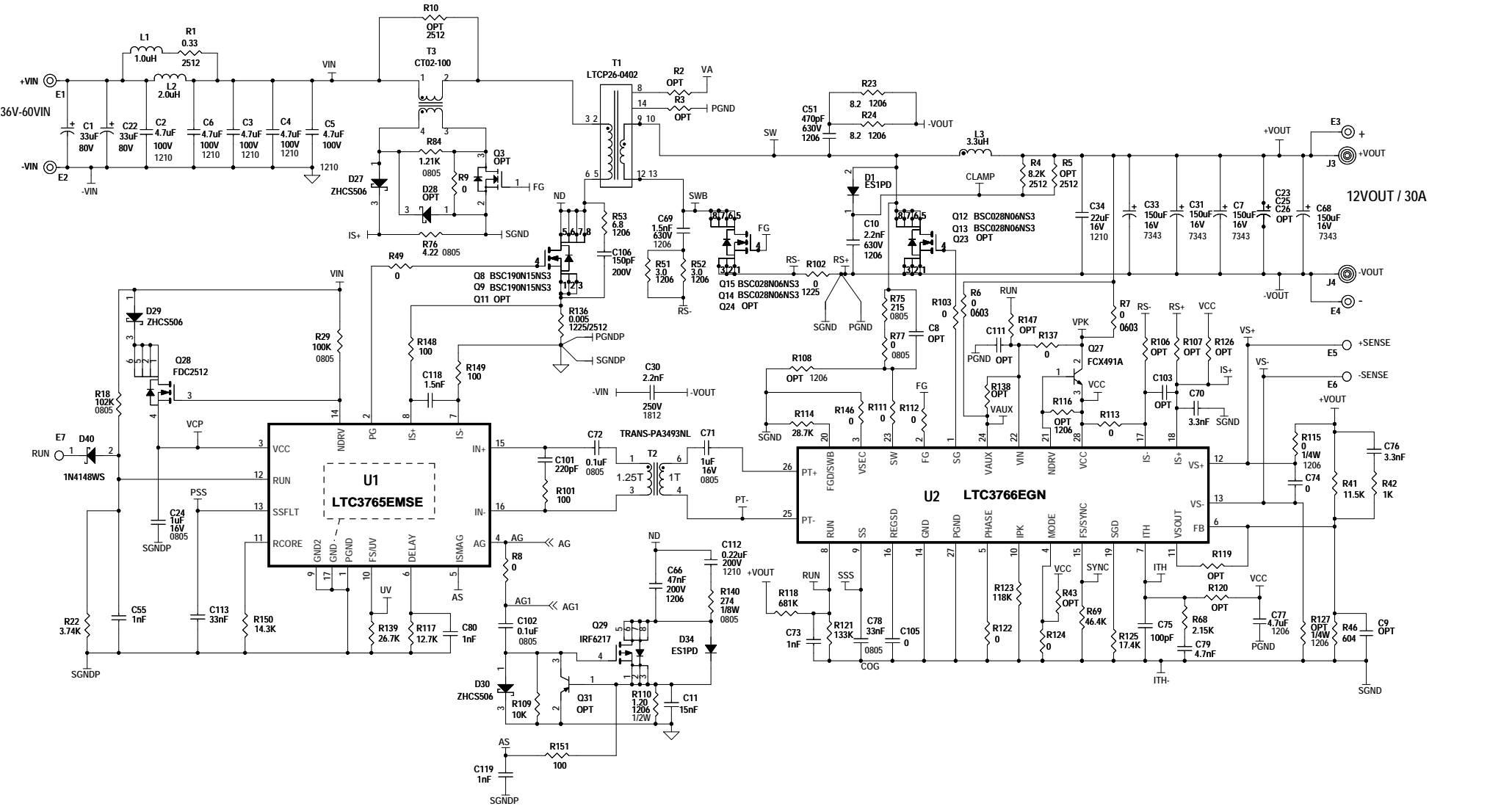


REVISION HISTORY				
ECO	REV	DESCRIPTION	APPROVED	DATE
-	2	PRODUCTION	DAVID B.	10-29-14

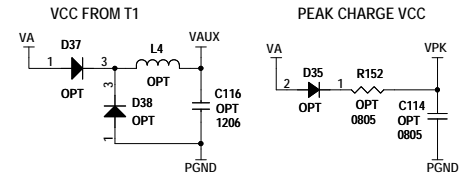
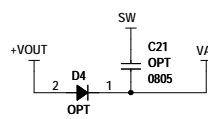
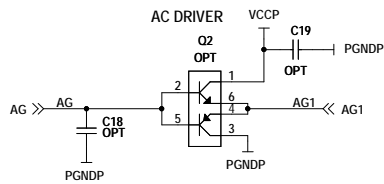
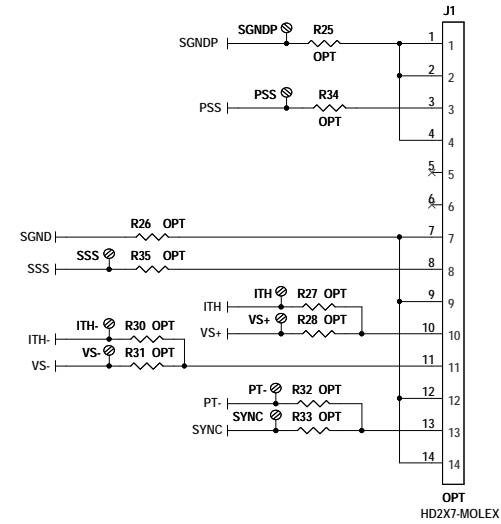
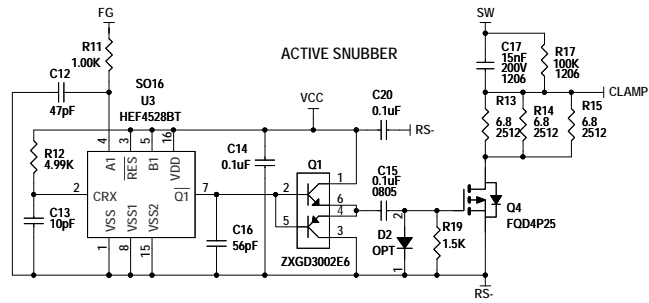


NOTE:
 4.7uF 100V MURATA, GRM32ER72A475KE14 (X7R 1210)
 4.7uF 25V AVX, 12063C475KAT2A (X7R 1206)
 22uF 16V MURATA, GRM32ER71C226ME8L (1210 X5R)
 2.2nF 250V Murata GA343QR7GD222KW01L (X7R 1812)
 150uF 16V PANASONIC, 16TQC150MYF
 33uF 80V PANASONIC, EEHZA1K330P (10x12.5mm)
 L2 Vishay IHLP4040DZER2R0M11
 L3 Coilcraft SER2915L-332KL
 0.005 ohm Susumu KRL6432D-M-R005-F-T5 (1225)
 R110 SUSUMU, RL1632S-1R20-F (1206)
 T1 Champs, LTC-PQ26-0402
 T2 Pulse, PA3493NL

Unless otherwise specified:
 All resistors are in ohms 0603.
 All capacitors are in microfarads 0603.
 All capacitors are 25V.
 1/16W = 0402, 1/10W = 0603, 1/8W = 0805,
 1/4W = 1206, 1W = 2512.

CUSTOMER NOTICE		APPROVALS		 1630 McCarthy Blvd. Milpitas, CA 95035 Phone: (408)321-1900 www.linear.com Fax: (408)321-0507 LTC Confidential-For Customer Use Only
LINEAR TECHNOLOGY HAS MADE A BEST EFFORT TO DESIGN A CIRCUIT THAT MEETS CUSTOMER-SUPPLIED SPECIFICATIONS. HOWEVER, IT REMAINS THE CUSTOMER'S RESPONSIBILITY TO VERIFY PROPER AND RELIABLE OPERATION IN THE ACTUAL APPLICATION. COMPONENT SUBSTITUTION AND PRINTED CIRCUIT BOARD LAYOUT MAY SIGNIFICANTLY AFFECT CIRCUIT PERFORMANCE OR RELIABILITY. CONTACT LINEAR TECHNOLOGY APPLICATIONS ENGINEERING FOR ASSISTANCE.				
TITLE: SCHEMATIC ACTIVE CLAMP FORWARD CONVERTER WITH DIRECT FLUX LIMIT		SIZE: N/A IC NO: LTC3765EMSE / LTC3766EGN DC2199A		REV: 2
THIS CIRCUIT IS PROPRIETARY TO LINEAR TECHNOLOGY AND SUPPLIED FOR USE WITH LINEAR TECHNOLOGY PARTS.		SCALE: NONE DATE: Wednesday, October 29, 2014		SHEET 1 OF 2

OPTIONAL CIRCUITS



CUSTOMER NOTICE		APPROVALS		LTC TECHNOLOGY	
LINEAR TECHNOLOGY HAS MADE A BEST EFFORT TO DESIGN A CIRCUIT THAT MEETS CUSTOMER-SUPPLIED SPECIFICATIONS. HOWEVER, IT REMAINS THE CUSTOMER'S RESPONSIBILITY TO VERIFY PROPER AND RELIABLE OPERATION IN THE ACTUAL APPLICATION. COMPONENT SUBSTITUTION AND PRINTED CIRCUIT BOARD LAYOUT MAY SIGNIFICANTLY AFFECT CIRCUIT PERFORMANCE OR RELIABILITY. CONTACT LINEAR TECHNOLOGY APPLICATIONS ENGINEERING FOR ASSISTANCE.		PCB DES.	LT	TITLE: SCHEMATIC ACTIVE CLAMP FORWARD CONVERTER WITH DIRECT FLUX LIMIT	
		APP ENG.	DAVID B.		
		THIS CIRCUIT IS PROPRIETARY TO LINEAR TECHNOLOGY AND SUPPLIED FOR USE WITH LINEAR TECHNOLOGY PARTS.		SCALE = NONE	DATE: Wednesday, October 29, 2014

1630 McCarthy Blvd.
 Milpitas, CA 95035
 Phone: (408)321-1900 www.linear.com
 Fax: (408)334-0507
 LTC Confidential-For Customer Use Only