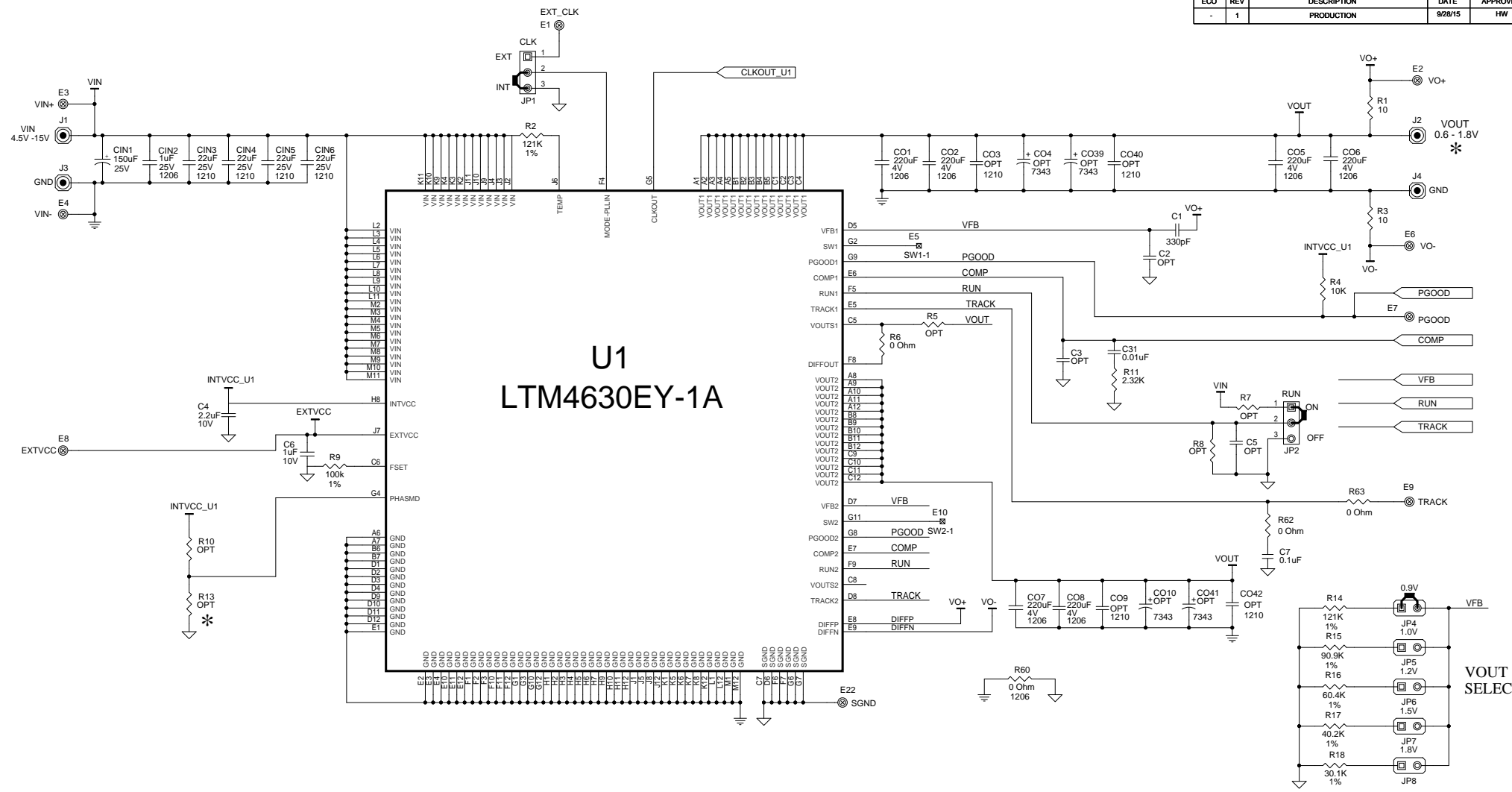


REVISION HISTORY				
ECO	REV	DESCRIPTION	DATE	APPROVED
-	1	PRODUCTION	9/28/15	HW



NOTE: UNLESS OTHERWISE SPECIFIED,  
1. ALL CAPACITORS, RESISTORS 0603.

ASSY	I.C.	Iout	R13	R34	Cin12, 13, 14, 15	Cin16, 17, 18, 19	Co20, 21, 26 Co24, 27, 58	Co30, 32, 34 Co35, 55, 59
-A	U1, U2	70A	OPT	OPT	OPT	OPT	OPT	OPT
-B	U1, U2, U3	105A	0	0	22uF	OPT	220uF	OPT
-C	U1, U2, U3, U4	140A	OPT	0	22uF	22uF	220uF	220uF

**CUSTOMER NOTICE**  
LINEAR TECHNOLOGY HAS MADE A BEST EFFORT TO DESIGN A CIRCUIT THAT MEETS CUSTOMER-SUPPLIED SPECIFICATIONS; HOWEVER, IT REMAINS THE CUSTOMER'S RESPONSIBILITY TO VERIFY PROPER AND RELIABLE OPERATION IN THE ACTUAL APPLICATION. COMPONENT SUBSTITUTION AND PRINTED CIRCUIT BOARD LAYOUT MAY SIGNIFICANTLY AFFECT CIRCUIT PERFORMANCE OR RELIABILITY. CONTACT LINEAR TECHNOLOGY APPLICATIONS ENGINEERING FOR ASSISTANCE.

APPROVALS	
PCB DES.	LT
APP ENG.	HW

1630 McCarthy Blvd.  
Milpitas, CA 95035 www.linear.com  
Phone: (408)432-1900  
Fax: (408)434-0507  
LTC CONFIDENTIAL - FOR CUSTOMER USE ONLY

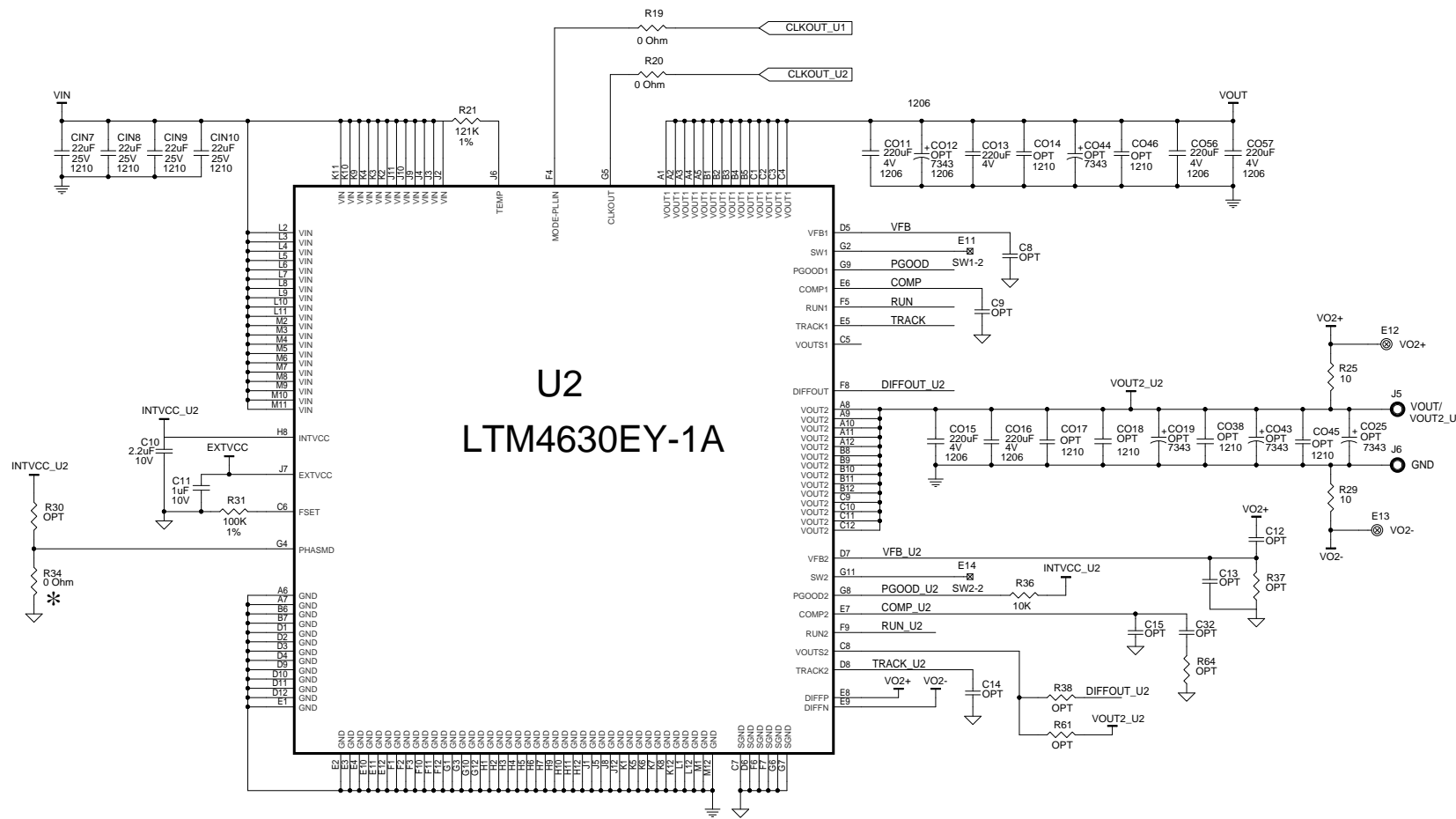
**LINEAR TECHNOLOGY**

TITLE: SCHEMATIC  
HIGH EFFICIENCY, POLYPHASE, DC/DC  
STEP-DOWN POWER // MODULE REGULATOR

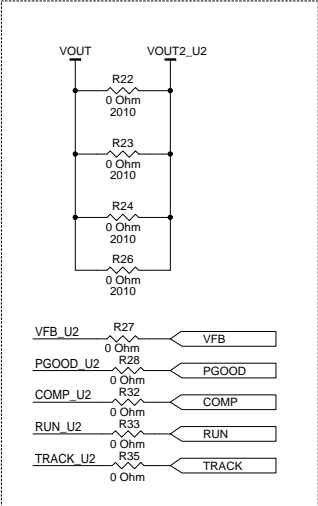
SIZE N/A IC NO. LTM4630EY-1A REV. 1  
DATE: Monday, September 28, 2015 DEMO CIRCUIT 2164A SHEET 1 OF 4

THIS CIRCUIT IS PROPRIETARY TO LINEAR TECHNOLOGY AND SUPPLIED FOR USE WITH LINEAR TECHNOLOGY PARTS.

SCALE = NONE



REMOVE 0 OHM JUMPERS FOR SEPARATE VOUT2\_U2.



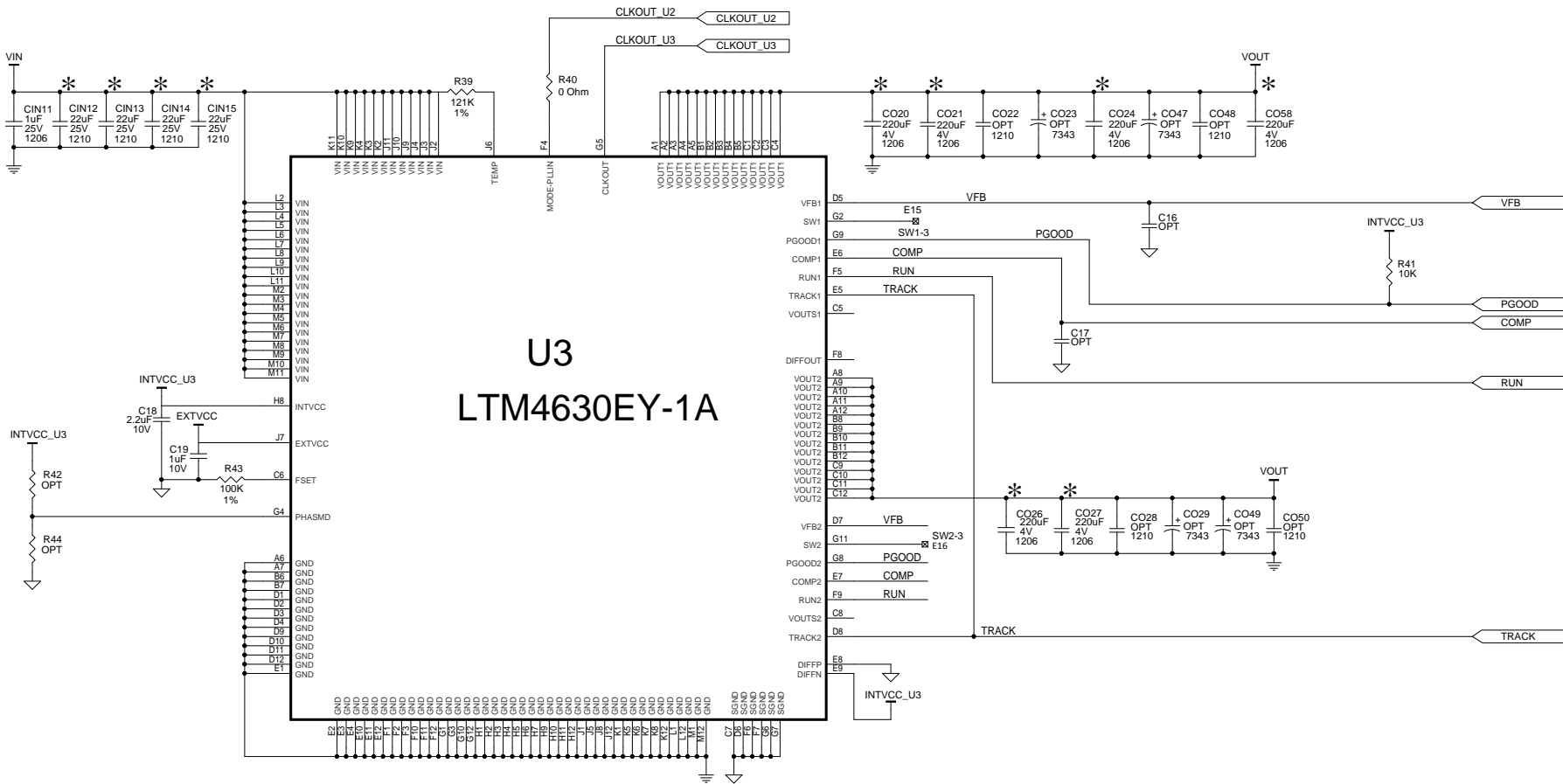
**U2**  
**LTM4630EY-1A**

**CUSTOMER NOTICE**  
LINEAR TECHNOLOGY HAS MADE A BEST EFFORT TO DESIGN A CIRCUIT THAT MEETS CUSTOMER-SUPPLIED SPECIFICATIONS; HOWEVER, IT REMAINS THE CUSTOMER'S RESPONSIBILITY TO VERIFY PROPER AND RELIABLE OPERATION IN THE ACTUAL APPLICATION. COMPONENT SUBSTITUTION AND PRINTED CIRCUIT BOARD LAYOUT MAY SIGNIFICANTLY AFFECT CIRCUIT PERFORMANCE OR RELIABILITY. CONTACT LINEAR TECHNOLOGY APPLICATIONS ENGINEERING FOR ASSISTANCE.

APPROVALS	
PCB DES.	LT
APP ENG.	H/W
SCALE = NONE	

		1630 McCarthy Blvd. Milpitas, CA 95035 www.linear.com Phone: (408)432-1900 Fax: (408)434-0507 LTC CONFIDENTIAL - FOR CUSTOMER USE ONLY	
TITLE: SCHEMATIC			
HIGH EFFICIENCY, POLYPHASE, CD/CD STEP-DOWN POWER //MODULE REGULATOR			
SIZE	IC NO.	REV.	
N/A	LTM4630EY-1A	1	
DATE:		SHEET 2 OF 4	
Monday, September 28, 2015			

THIS CIRCUIT IS PROPRIETARY TO LINEAR TECHNOLOGY AND SUPPLIED FOR USE WITH LINEAR TECHNOLOGY PARTS.



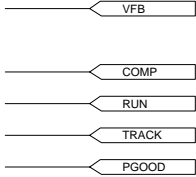
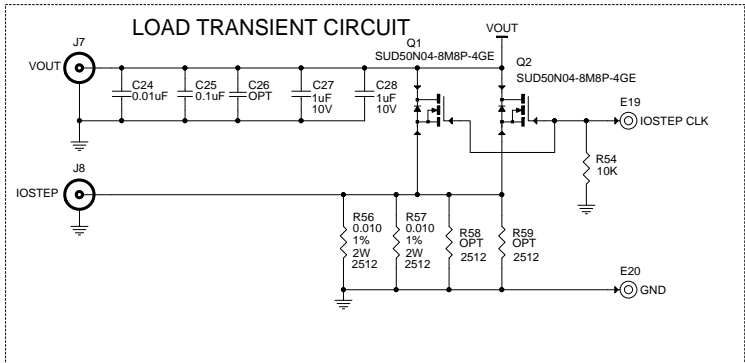
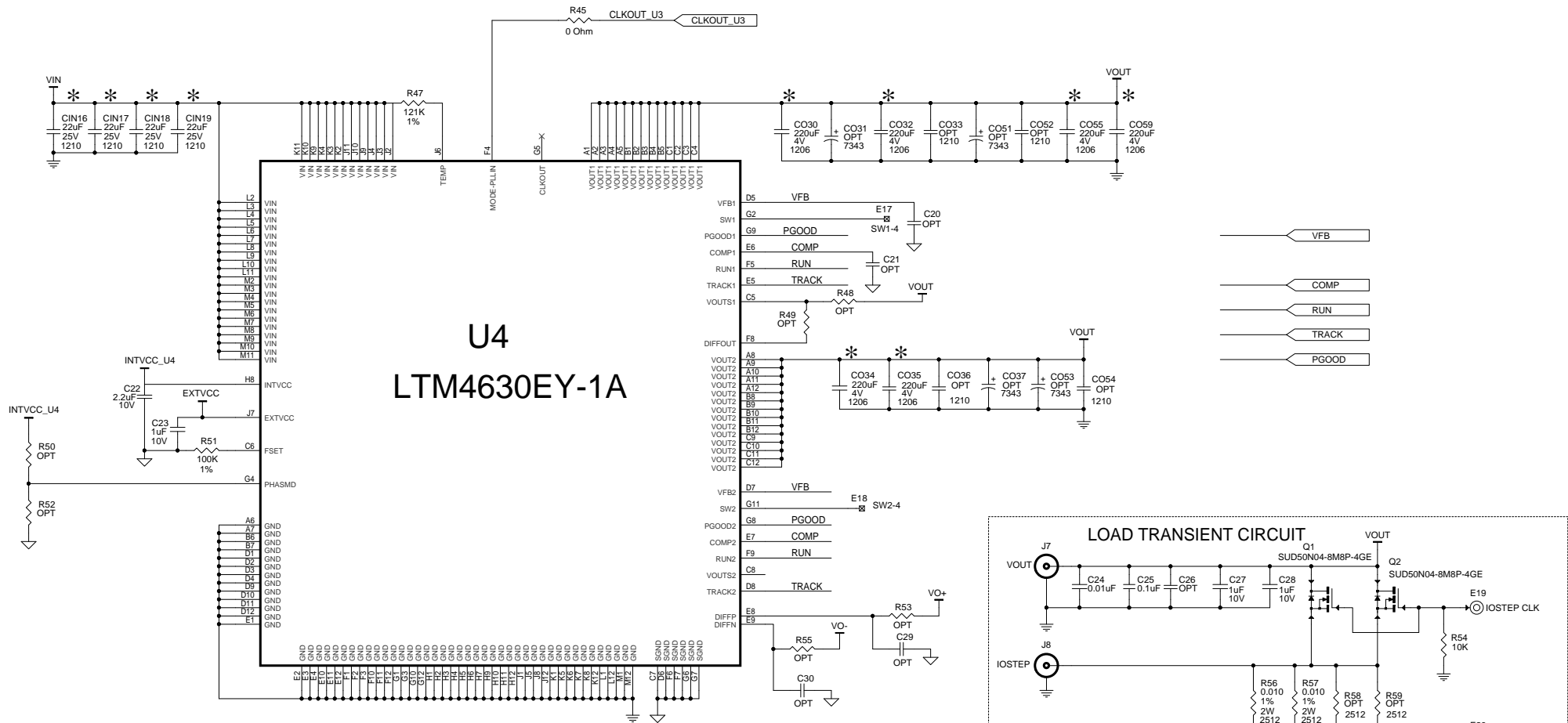
**CUSTOMER NOTICE**  
 LINEAR TECHNOLOGY HAS MADE A BEST EFFORT TO DESIGN A CIRCUIT THAT MEETS CUSTOMER-SUPPLIED SPECIFICATIONS; HOWEVER, IT REMAINS THE CUSTOMER'S RESPONSIBILITY TO VERIFY PROPER AND RELIABLE OPERATION IN THE ACTUAL APPLICATION. COMPONENT SUBSTITUTION AND PRINTED CIRCUIT BOARD LAYOUT MAY SIGNIFICANTLY AFFECT CIRCUIT PERFORMANCE OR RELIABILITY. CONTACT LINEAR TECHNOLOGY APPLICATIONS ENGINEERING FOR ASSISTANCE.

THIS CIRCUIT IS PROPRIETARY TO LINEAR TECHNOLOGY AND SUPPLIED FOR USE WITH LINEAR TECHNOLOGY PARTS.

APPROVALS	
PCB DES.	LT
APP ENG.	HW
SCALE = NONE	



1630 McCarthy Blvd. Milpitas, CA 95035 www.linear.com Phone: (408)432-1900 Fax: (408)434-0507 LTC CONFIDENTIAL - FOR CUSTOMER USE ONLY	
TITLE: SCHEMATIC	
HIGH EFFICIENCY, POLYPHASE, DC/DC STEP-DOWN POWER $\mu$ MODULE REGULATOR	
SIZE	IC NO.
N/A	LTM4630EY-1A
REV. 1	
DATE: Monday, September 28, 2015	SHEET 3 OF 4



**CUSTOMER NOTICE**  
 LINEAR TECHNOLOGY HAS MADE A BEST EFFORT TO DESIGN A CIRCUIT THAT MEETS CUSTOMER-SUPPLIED SPECIFICATIONS; HOWEVER, IT REMAINS THE CUSTOMER'S RESPONSIBILITY TO VERIFY PROPER AND RELIABLE OPERATION IN THE ACTUAL APPLICATION. COMPONENT SUBSTITUTION AND PRINTED CIRCUIT BOARD LAYOUT MAY SIGNIFICANTLY AFFECT CIRCUIT PERFORMANCE OR RELIABILITY. CONTACT LINEAR TECHNOLOGY APPLICATIONS ENGINEERING FOR ASSISTANCE.

THIS CIRCUIT IS PROPRIETARY TO LINEAR TECHNOLOGY AND SUPPLIED FOR USE WITH LINEAR TECHNOLOGY PARTS.

APPROVALS	
PCB DES.	LT
APP ENG.	HW
SCALE = NONE	



1630 McCarthy Blvd.  
 Milpitas, CA 95035 www.linear.com  
 Phone: (408)432-1900  
 Fax: (408)434-0507  
 LTC CONFIDENTIAL - FOR CUSTOMER USE ONLY

TITLE: SCHEMATIC  
**HIGH EFFICIENCY, POLYPHASE, DC/DC**  
**STEP-DOWN POWER  $\mu$ MODULE REGULATOR**

SIZE	IC NO.	REV.
N/A	LTM4630-1EY	1
DATE: Monday, September 28, 2015		SHEET 4 OF 4