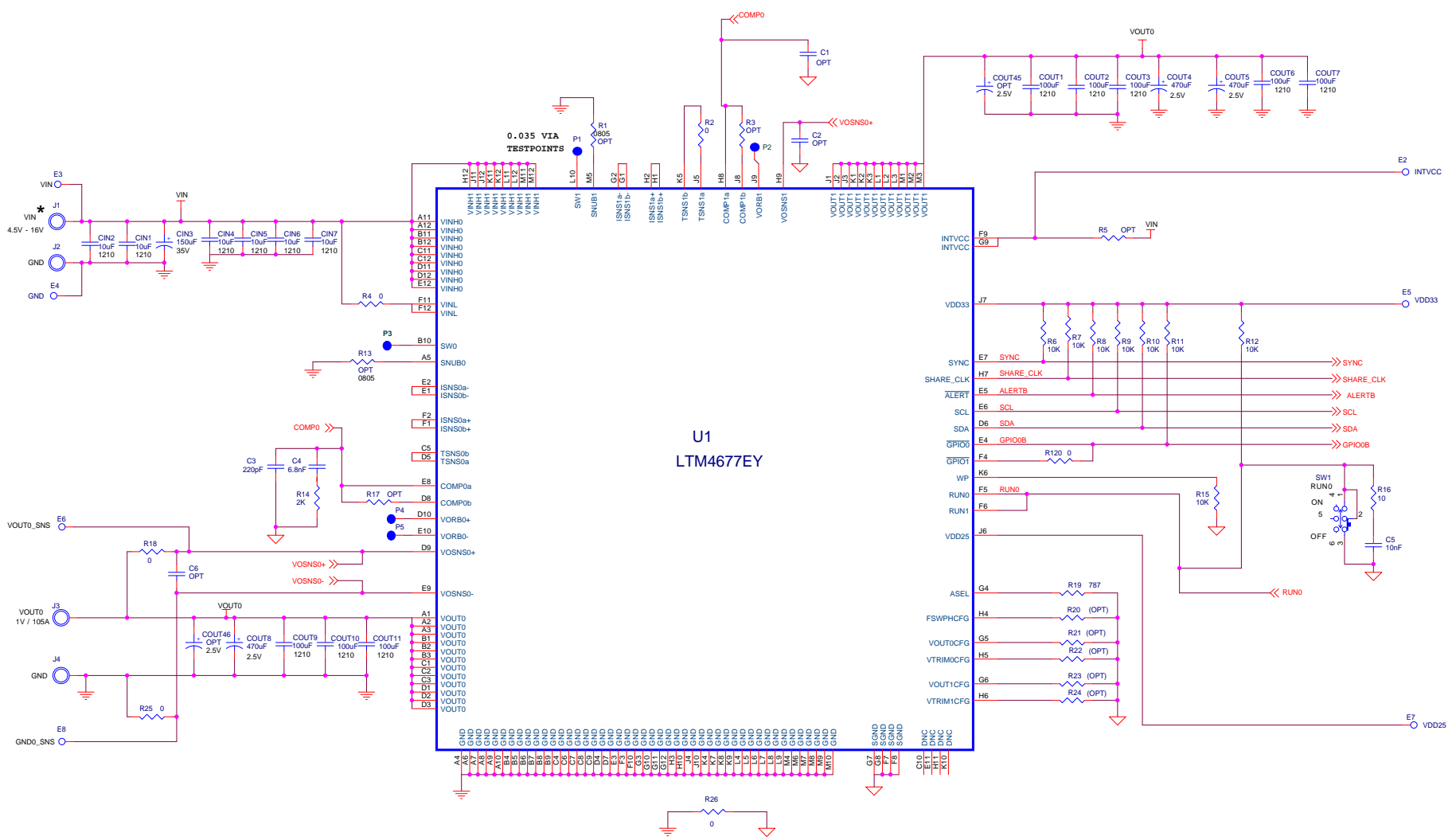


REVISION HISTORY				
ECO	REV	DESCRIPTION	APPROVED	DATE
-	2	PRODUCTION	Simon T	11-25-15



NOTE: UNLESS OTHERWISE SPECIFIED

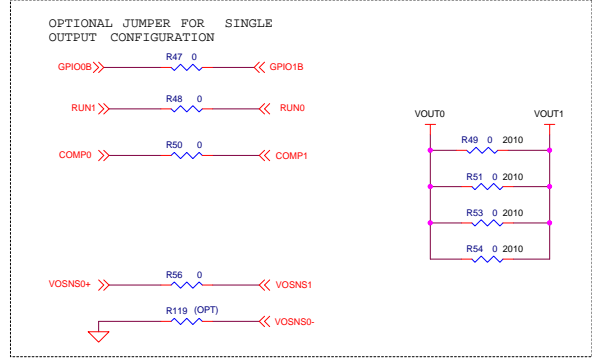
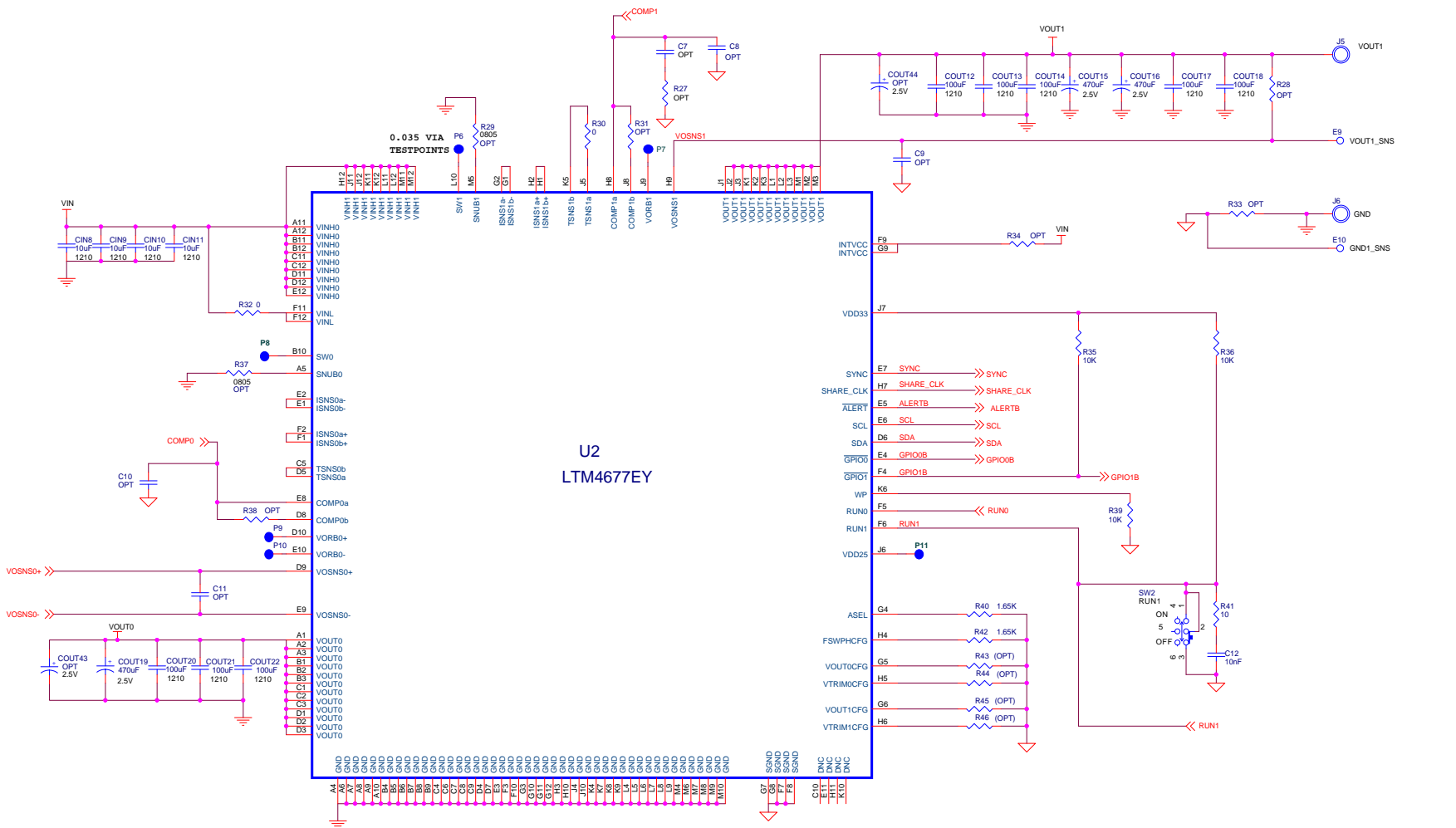
1. ALL RESISTORS ARE 0603.
ALL CAPACITORS ARE 0603.
- * WHEN VIN < 5.75V, SHORT INTVCC TO VIN WITH R5,R34, R61.

CUSTOMER NOTICE
 LINEAR TECHNOLOGY HAS MADE A BEST EFFORT TO DESIGN A CIRCUIT THAT MEETS CUSTOMER-SUPPLIED SPECIFICATIONS; HOWEVER, IT REMAINS THE CUSTOMER'S RESPONSIBILITY TO VERIFY PROPER AND RELIABLE OPERATION IN THE ACTUAL APPLICATION. COMPONENT SUBSTITUTION AND PRINTED CIRCUIT BOARD LAYOUT MAY SIGNIFICANTLY AFFECT CIRCUIT PERFORMANCE OR RELIABILITY. CONTACT LINEAR TECHNOLOGY APPLICATIONS ENGINEERING FOR ASSISTANCE.

THIS CIRCUIT IS PROPRIETARY TO LINEAR TECHNOLOGY AND SUPPLIED FOR USE WITH LINEAR TECHNOLOGY PARTS.

APPROVALS	
PCB DES.	HZ
APP ENG.	JUAN L.
SCALE	NONE

	1630 McCarthy Blvd. Milpitas, CA 95035 Phone: (408)432-1900 www.linear.com Fax: (408)434-0507 LTC Confidential-For Customer Use Only	
	TITLE: SCHEMATIC HIGH EFFICIENCY, POLY-PHASE, DC/DC STEP-DOWN μModule REGULATOR WITH DIGITAL POWER MANAGEMENT	
SIZE B	IC NO. LTM4677EY	REV. 1
DATE: Monday, November 30, 2015		SHEET 1 OF 6

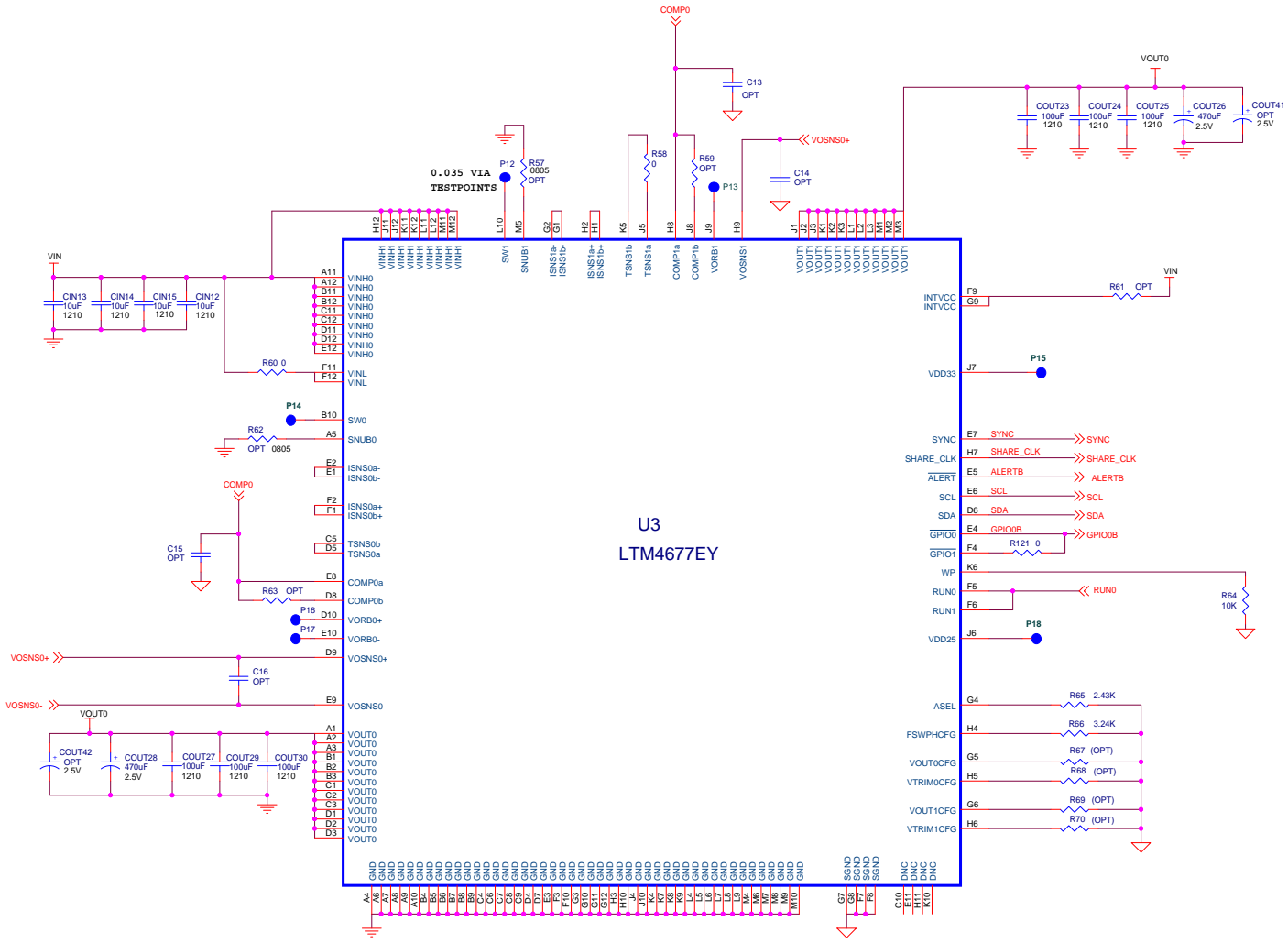


CUSTOMER NOTICE
 LINEAR TECHNOLOGY HAS MADE A BEST EFFORT TO DESIGN A CIRCUIT THAT MEETS CUSTOMER-SUPPLIED SPECIFICATIONS; HOWEVER, IT REMAINS THE CUSTOMER'S RESPONSIBILITY TO VERIFY PROPER AND RELIABLE OPERATION IN THE ACTUAL APPLICATION. COMPONENT SUBSTITUTION AND PRINTED CIRCUIT BOARD LAYOUT MAY SIGNIFICANTLY AFFECT CIRCUIT PERFORMANCE OR RELIABILITY. CONTACT LINEAR TECHNOLOGY APPLICATIONS ENGINEERING FOR ASSISTANCE.

THIS CIRCUIT IS PROPRIETARY TO LINEAR TECHNOLOGY AND SUPPLIED FOR USE WITH LINEAR TECHNOLOGY PARTS.

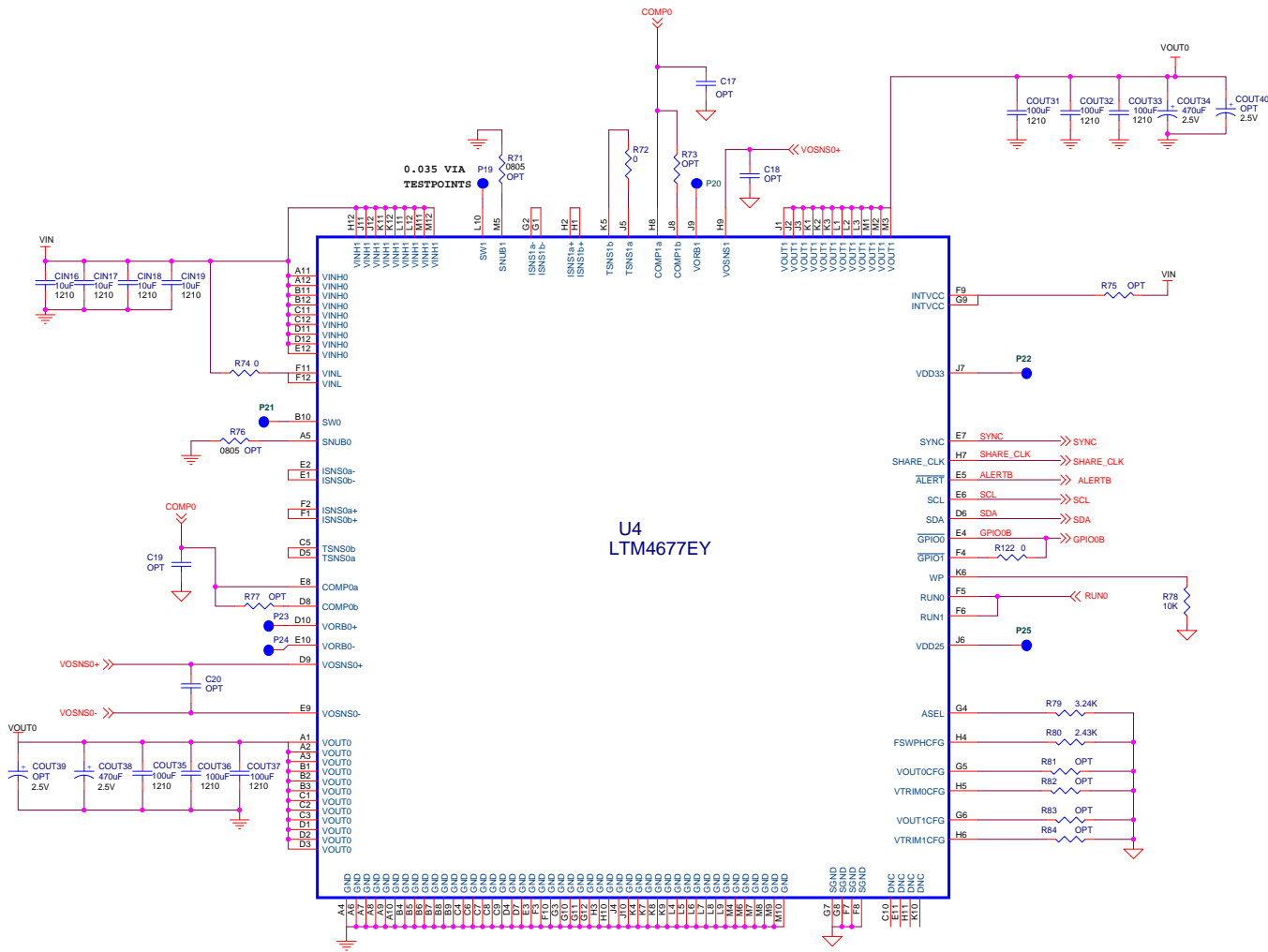
APPROVALS	
PCB DES.	HZ
APP ENG.	JIAN L.
SCALE	NONE

		1630 McCarthy Blvd. Milpitas, CA 95035 Phone: (408)432-1900 www.linear.com Fax: (408)434-0607 LTC Confidential-For Customer Use Only	
		TITLE: SCHEMATIC HIGH EFFICIENCY, POLY-PHASE, DC/DC STEP-DOWN μModule REGULATOR WITH DIGITAL POWER MANAGEMENT	
SIZE	IC NO.	REV.	
B	LTM4677EY	1	
DEMO CIRCUIT 2143A-C			
DATE:	Wednesday, November 25, 2015	SHEET 2 OF 6	



U3
LTM4677EY

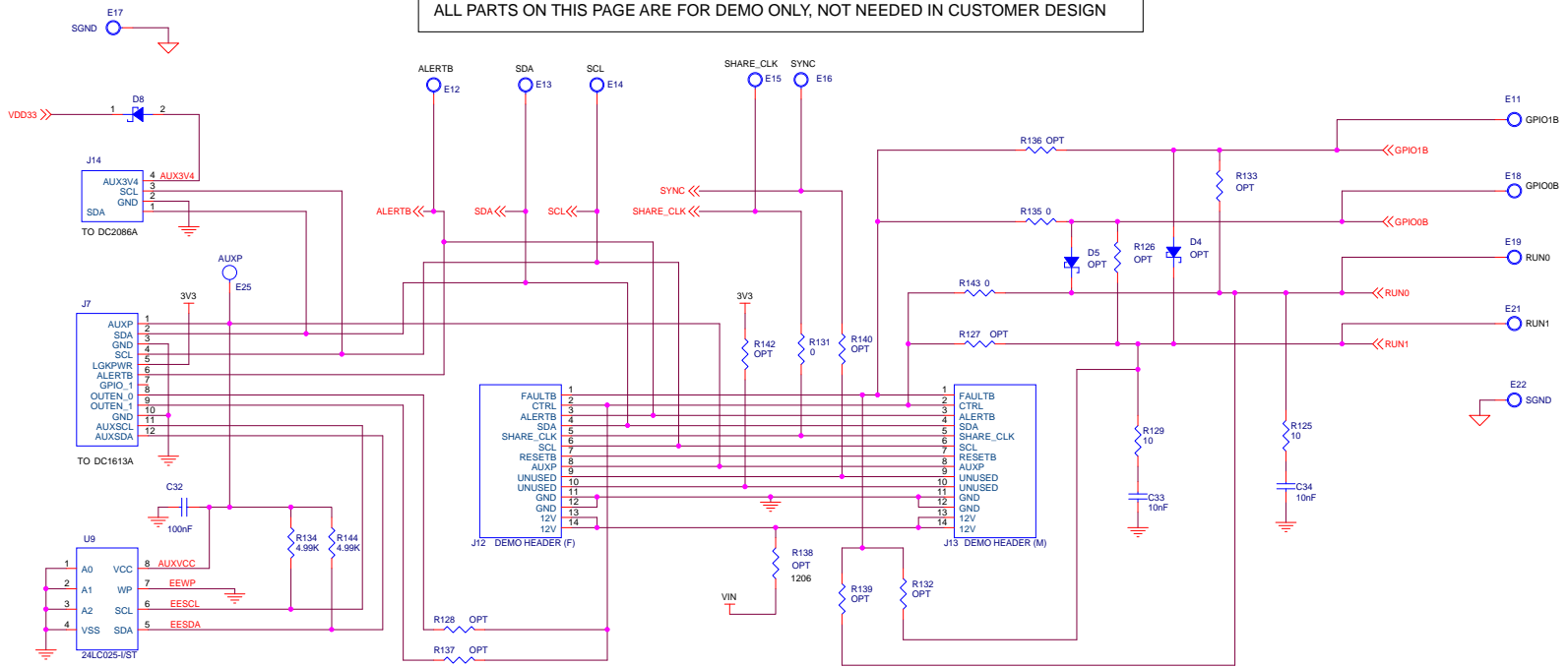
<p>CUSTOMER NOTICE</p> <p>LINEAR TECHNOLOGY HAS MADE A BEST EFFORT TO DESIGN A CIRCUIT THAT MEETS CUSTOMER-SUPPLIED SPECIFICATIONS; HOWEVER, IT REMAINS THE CUSTOMER'S RESPONSIBILITY TO VERIFY PROPER AND RELIABLE OPERATION IN THE ACTUAL APPLICATION. COMPONENT SUBSTITUTION AND PRINTED CIRCUIT BOARD LAYOUT MAY SIGNIFICANTLY AFFECT CIRCUIT PERFORMANCE OR RELIABILITY. CONTACT LINEAR TECHNOLOGY APPLICATIONS ENGINEERING FOR ASSISTANCE.</p>		<p>APPROVALS</p> <p>PCB DES: HZ</p> <p>APP ENG: JUAN L.</p>		<p>LINEAR TECHNOLOGY</p> <p>1630 McCarthy Blvd. Milpitas, CA 95035 Phone: (408)432-1900 www.linear.com Fax: (408)434-0607 LTC Confidential-For Customer Use Only</p>
		<p>SCALE = NONE</p>		
<p>THIS CIRCUIT IS PROPRIETARY TO LINEAR TECHNOLOGY AND SUPPLIED FOR USE WITH LINEAR TECHNOLOGY PARTS.</p>		<p>SIZE: B</p> <p>IC NO: LTM4677EY</p> <p>DATE: Friday, August 28, 2015</p>	<p>REV: 1</p> <p>DEMO CIRCUIT 2143A-C</p> <p>SHEET 3 OF 6</p>	



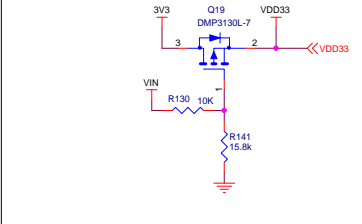
U4
LTM4677EY

<p>CUSTOMER NOTICE</p> <p>LINEAR TECHNOLOGY HAS MADE A BEST EFFORT TO DESIGN A CIRCUIT THAT MEETS CUSTOMER-SUPPLIED SPECIFICATIONS; HOWEVER, IT REMAINS THE CUSTOMER'S RESPONSIBILITY TO VERIFY PROPER AND RELIABLE OPERATION IN THE ACTUAL APPLICATION. COMPONENT SUBSTITUTION AND PRINTED CIRCUIT BOARD LAYOUT MAY SIGNIFICANTLY AFFECT CIRCUIT PERFORMANCE OR RELIABILITY. CONTACT LINEAR TECHNOLOGY APPLICATIONS ENGINEERING FOR ASSISTANCE.</p>		<p>APPROVALS</p> <p>PCB DES. HZ</p> <p>APP ENG. JAN L.</p>		<p>LINEAR TECHNOLOGY</p> <p>1630 McCarthy Blvd. Milpitas, CA 95035 Phone: (408)432-1900 www.linear.com Fax: (408)434-0607 LTC Confidential-For Customer Use Only</p>
		<p>SCALE = NONE</p>		
<p>THIS CIRCUIT IS PROPRIETARY TO LINEAR TECHNOLOGY AND SUPPLIED FOR USE WITH LINEAR TECHNOLOGY PARTS.</p>		<p>SIZE B</p>	<p>IC NO. LTM4677EY</p>	<p>REV. 1</p>
		<p>DATE: Friday, August 28, 2015</p>	<p>DEMO CIRCUIT 2143A-C</p>	<p>SHEET 4 OF 6</p>

ALL PARTS ON THIS PAGE ARE FOR DEMO ONLY, NOT NEEDED IN CUSTOMER DESIGN

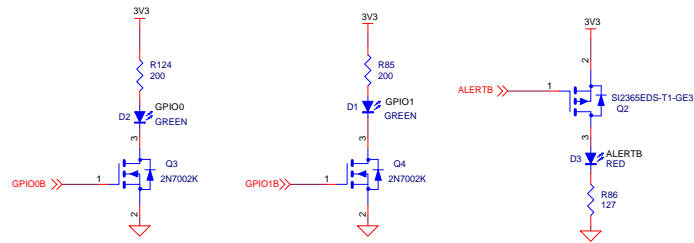


OPTIONAL CIRCUIT FOR PROGRAMMING WITHOUT VIN



PSM STACKING CONNECTORS:

J1, MALE, CONN HEADER 14POS 2MM R/A GOLD, Molex Connector Corp. 87760-1416
 J2, FEMALE, CONN RECEPT 2MM DUAL R/A 14POS, Sullins Conn. NPPN072FJFN-RC



CUSTOMER NOTICE

LINEAR TECHNOLOGY HAS MADE A BEST EFFORT TO DESIGN A CIRCUIT THAT MEETS CUSTOMER-SUPPLIED SPECIFICATIONS; HOWEVER, IT REMAINS THE CUSTOMER'S RESPONSIBILITY TO VERIFY PROPER AND RELIABLE OPERATION IN THE ACTUAL APPLICATION. COMPONENT SUBSTITUTION AND PRINTED CIRCUIT BOARD LAYOUT MAY SIGNIFICANTLY AFFECT CIRCUIT PERFORMANCE OR RELIABILITY. CONTACT LINEAR TECHNOLOGY APPLICATIONS ENGINEERING FOR ASSISTANCE.

THIS CIRCUIT IS PROPRIETARY TO LINEAR TECHNOLOGY AND SUPPLIED FOR USE WITH LINEAR TECHNOLOGY PARTS.

APPROVALS

PCB DES.	HZ
APP ENG.	JUAN L.
SCALE	NONE

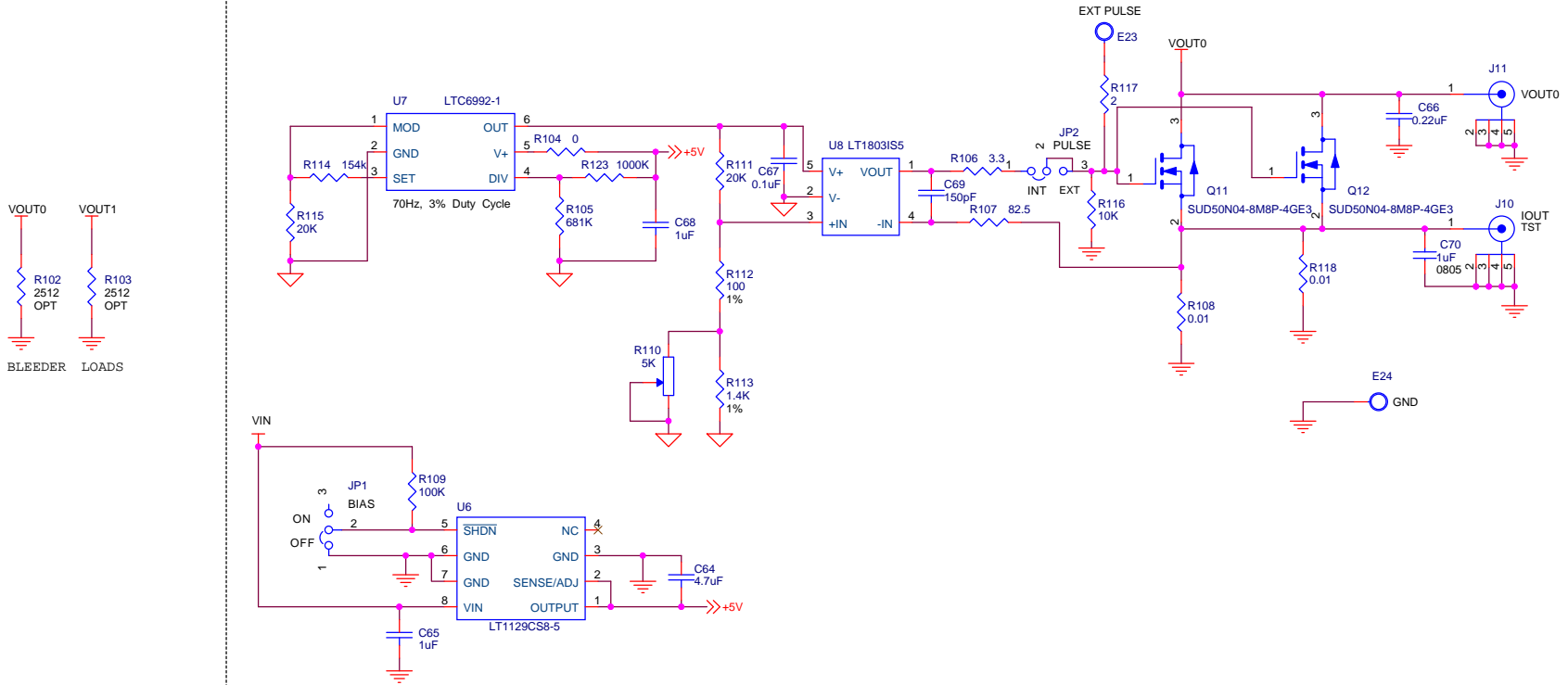


1630 McCarthy Blvd.
 Milpitas, CA 95035
 Phone: (408)432-1900 www.linear.com
 Fax: (408)434-0607
 LTC Confidential-For Customer Use Only

TITLE: SCHEMATIC		REV. 1
HIGH EFFICIENCY, POLY-PHASE, DC/DC STEP-DOWN µModule REGULATOR WITH DIGITAL POWER MANAGEMENT		
SIZE B	IC NO. LTM4677EY	SHEET 5 OF 6
DEMO CIRCUIT 2143A-C		
DATE: Friday, August 28, 2015		

ALL PARTS ON THIS PAGE ARE FOR DEMO ONLY, NOT NEEDED IN CUSTOMER DESIGN

DYNAMIC LOAD CIRCUIT



CUSTOMER NOTICE

LINEAR TECHNOLOGY HAS MADE A BEST EFFORT TO DESIGN A CIRCUIT THAT MEETS CUSTOMER-SUPPLIED SPECIFICATIONS; HOWEVER, IT REMAINS THE CUSTOMER'S RESPONSIBILITY TO VERIFY PROPER AND RELIABLE OPERATION IN THE ACTUAL APPLICATION. COMPONENT SUBSTITUTION AND PRINTED CIRCUIT BOARD LAYOUT MAY SIGNIFICANTLY AFFECT CIRCUIT PERFORMANCE OR RELIABILITY. CONTACT LINEAR TECHNOLOGY APPLICATIONS ENGINEERING FOR ASSISTANCE.

THIS CIRCUIT IS PROPRIETARY TO LINEAR TECHNOLOGY AND SUPPLIED FOR USE WITH LINEAR TECHNOLOGY PARTS.

APPROVALS

PCB DES.	HZ
APP ENG.	JIAN L.

SCALE = NONE



1630 McCarthy Blvd.
Milpitas, CA 95035
Phone: (408)432-1900 www.linear.com
Fax: (408)434-0507
LTC Confidential-For Customer Use Only

TITLE: SCHEMATIC
HIGH EFFICIENCY, POLY-PHASE, DC/DC STEP-DOWN
µModule REGULATOR WITH DIGITAL POWER MANAGEMENT

SIZE B	IC NO. LTM4677EY DEMO CIRCUIT 2143A-C	REV. 1
-----------	---	-----------

DATE: Wednesday, November 25, 2015 SHEET 6 OF 6