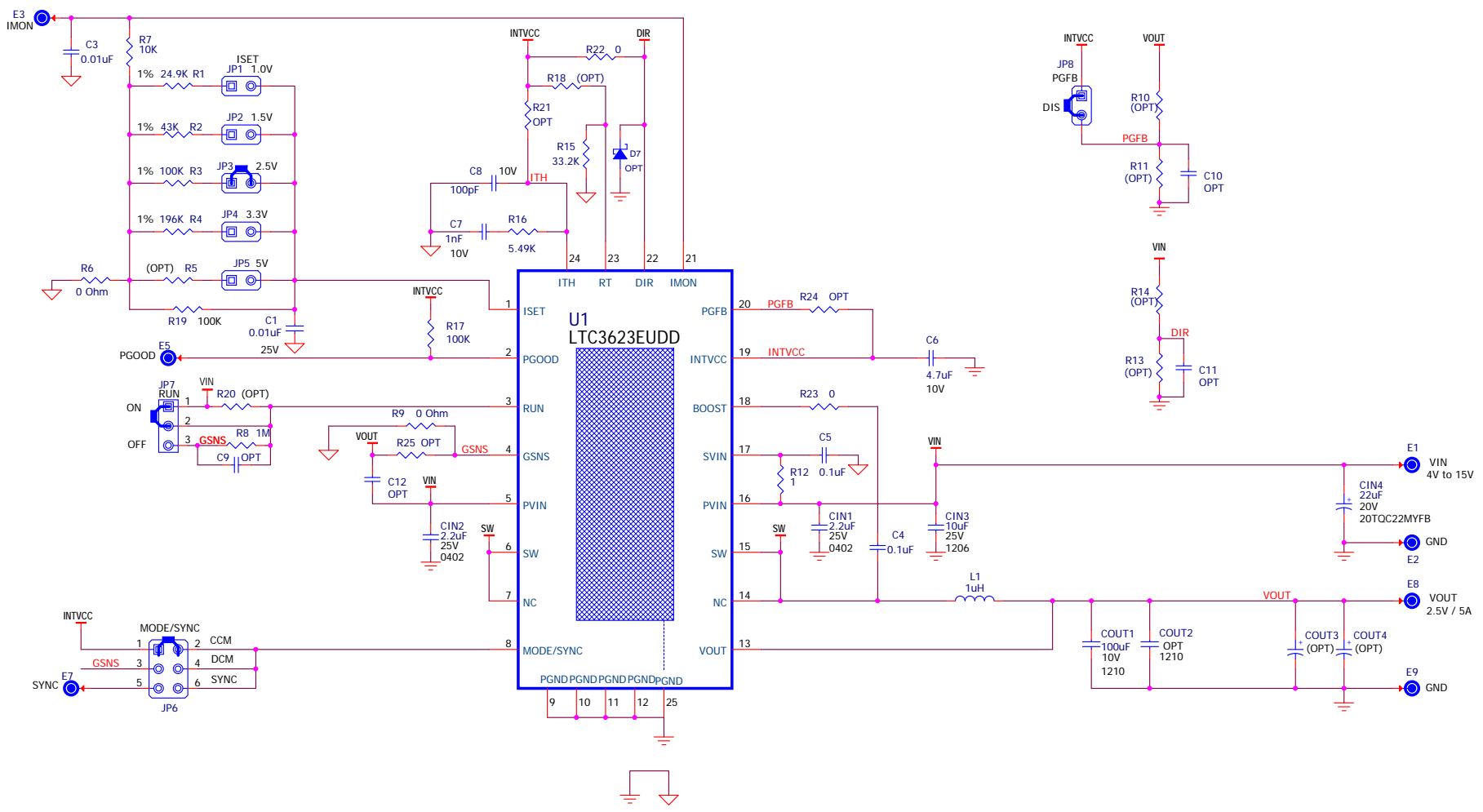


REVISION HISTORY				
ECO	REV	DESCRIPTION	APPROVED	DATE
-	3	PRODUCTION	TIM K.	5-23-16



NOTE: UNLESS OTHERWISE SPECIFIED
ALL RESISTORS AND CAPACITORS ARE IN 0603.

<p>CUSTOMER NOTICE LINEAR TECHNOLOGY HAS MADE A BEST EFFORT TO DESIGN A CIRCUIT THAT MEETS CUSTOMER-SUPPLIED SPECIFICATIONS; HOWEVER, IT REMAINS THE CUSTOMER'S RESPONSIBILITY TO VERIFY PROPER AND RELIABLE OPERATION IN THE ACTUAL APPLICATION. COMPONENT SUBSTITUTION AND PRINTED CIRCUIT BOARD LAYOUT MAY SIGNIFICANTLY AFFECT CIRCUIT PERFORMANCE OR RELIABILITY. CONTACT LINEAR TECHNOLOGY APPLICATIONS ENGINEERING FOR ASSISTANCE.</p>		<p>APPROVALS</p> <table border="1"> <tr> <td>PCB DES.</td> <td>HZ</td> </tr> <tr> <td>APP ENG.</td> <td>TIM K.</td> </tr> </table>		PCB DES.	HZ	APP ENG.	TIM K.	<p>LINEAR TECHNOLOGY 1630 McCarthy Blvd. Milpitas, CA 95035 Phone: (408)432-1900 www.linear.com Fax: (408)434-0507 LTC Confidential-For Customer Use Only</p>	
PCB DES.	HZ								
APP ENG.	TIM K.								
<p>THIS CIRCUIT IS PROPRIETARY TO LINEAR TECHNOLOGY AND SUPPLIED FOR USE WITH LINEAR TECHNOLOGY PARTS.</p>		<p>TITLE: SCHEMATIC 15VIN, +/- 5A MONOLITHIC BUCK REGULATOR</p>		<p>SIZE: N/A IC NO.: LTC3623EUDD DEMO CIRCUIT 2131A</p>					
<p>SCALE = NONE</p>		<p>DATE: Wednesday, November 09, 2016</p>		<p>REV. 3 SHEET 1 OF 1</p>					