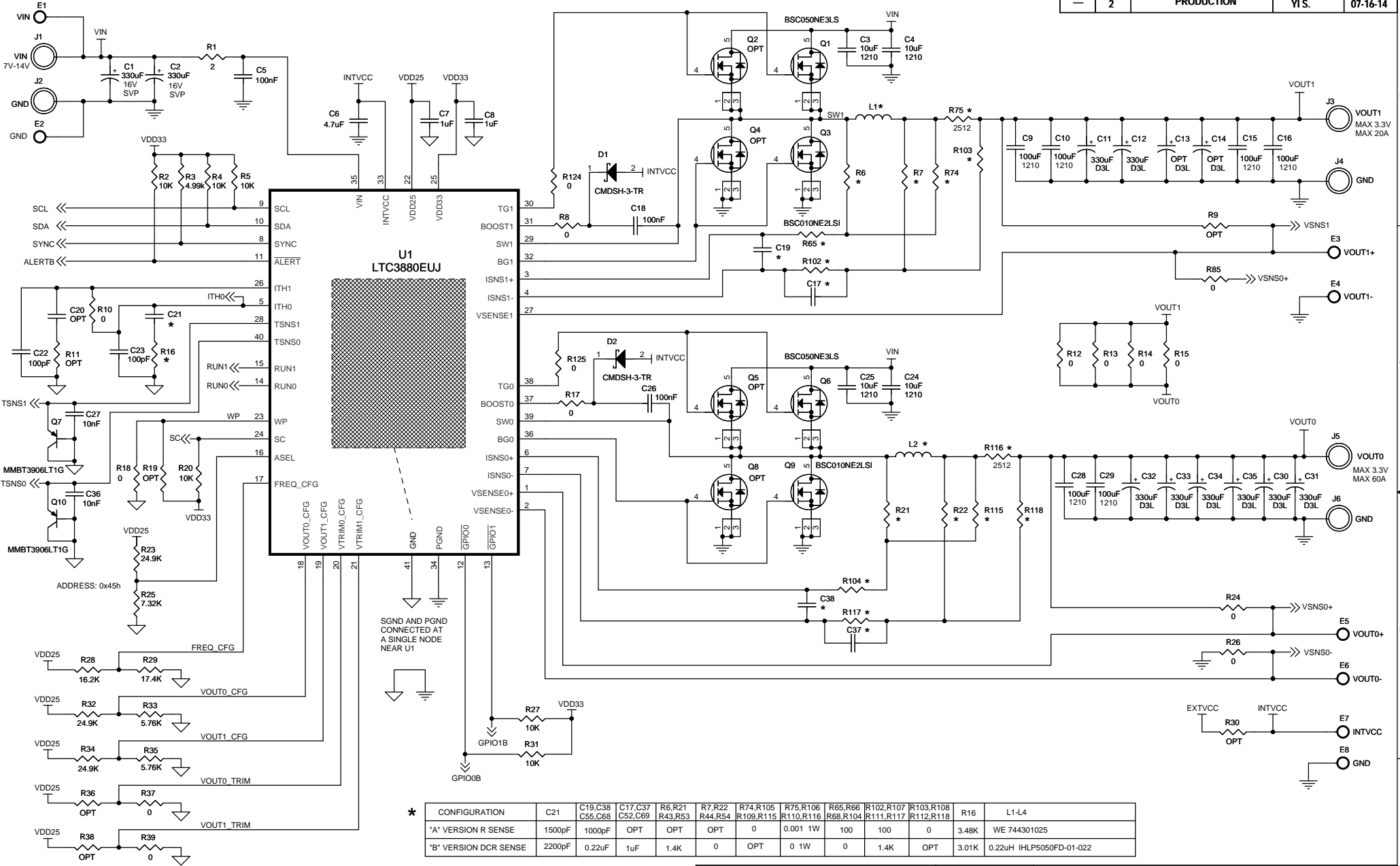


REVISION HISTORY				
ECO	REV	DESCRIPTION	APPROVED	DATE
-	2	PRODUCTION	YI.S.	07-16-14



* CONFIGURATION	C21	C19,C38 C55,C68	C17,C37 C52,C69	R6,R21 R43,R53	R7,R22 R44,R54	R74,R105 R109,R115	R75,R106 R110,R116	R65,R66 R68,R104	R102,R107 R111,R117	R103,R108 R112,R118	R16	L1-L4
"A" VERSION R SENSE	1500pF	1000pF	OPT	OPT	OPT	0	0.001 1W	100	100	0	3.48K	WE 744301025
"B" VERSION DCR SENSE	2200pF	0.22uF	1uF	1.4K	0	OPT	0 1W	0	1.4K	OPT	3.01K	0.22uH IHLPS050FD-01-022

NOTE: UNLESS OTHERWISE SPECIFIED
1. ALL RESISTORS AND CAPACITORS ARE 0603.

CUSTOMER NOTICE

LINEAR TECHNOLOGY HAS MADE A BEST EFFORT TO DESIGN A CIRCUIT THAT MEETS CUSTOMER-SUPPLIED SPECIFICATIONS; HOWEVER, IT REMAINS THE CUSTOMER'S RESPONSIBILITY TO VERIFY PROPER AND RELIABLE OPERATION IN THE ACTUAL APPLICATION. COMPONENT SUBSTITUTION AND PRINTED CIRCUIT BOARD LAYOUT MAY SIGNIFICANTLY AFFECT CIRCUIT PERFORMANCE OR RELIABILITY. CONTACT LINEAR TECHNOLOGY APPLICATIONS ENGINEERING FOR ASSISTANCE.

APPROVALS

PCB DES.	LT
APP ENG.	YI.S.



1630 McCarthy Blvd.
Milpitas, CA 95035
Phone: (408)432-1900 www.linear.com
Fax: (408)434-0507
LTC Confidential-For Customer Use Only

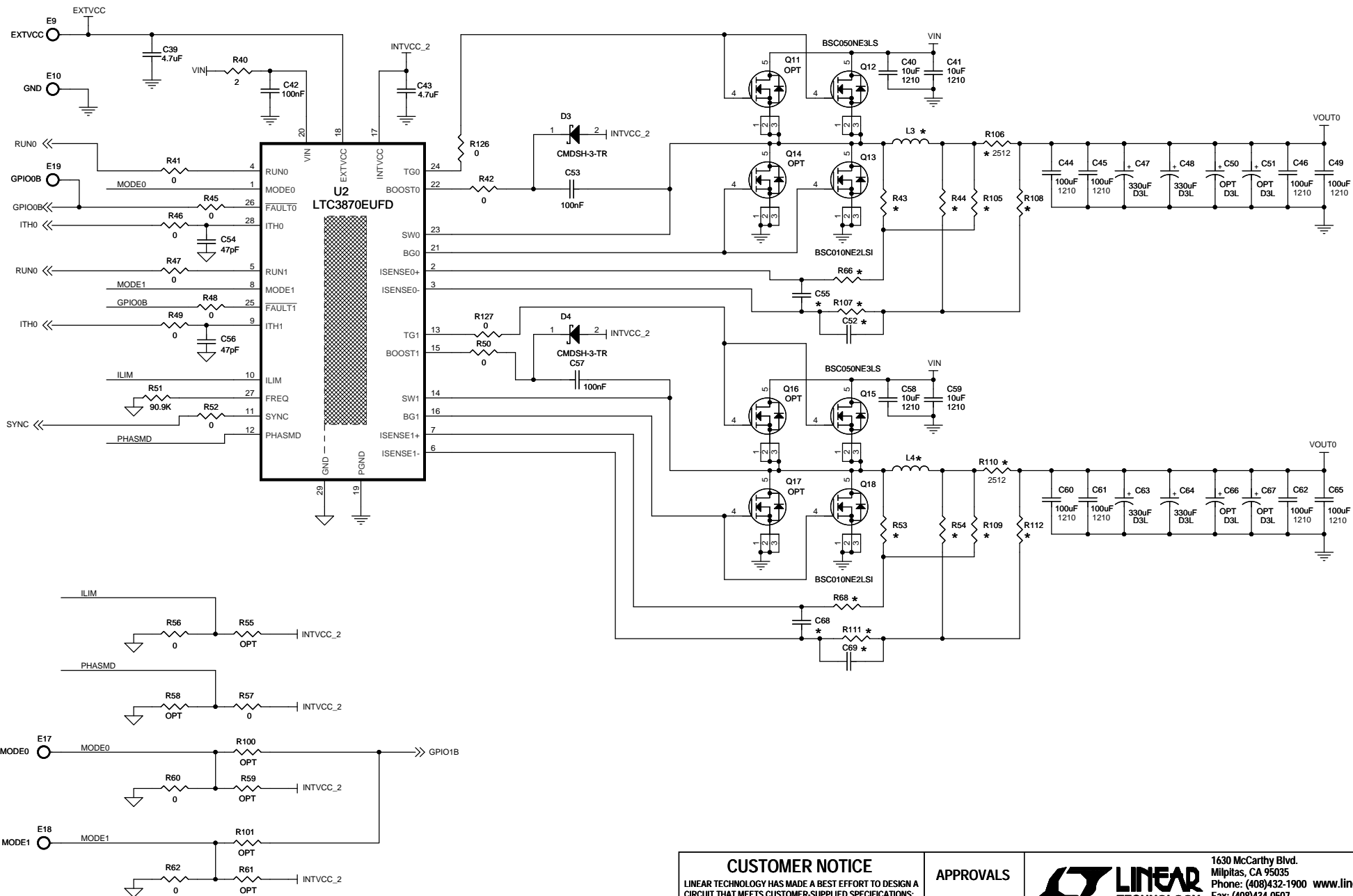
TITLE: SCHEMATIC
POLY-PHASE DC/DC CONVERTER WITH POWER SYSTEM MANAGEMENT

SIZE N/A IC NO. LTC3880EUJ + LTC3870IUFD
DEMO CIRCUIT 2089A REV. 2

THIS CIRCUIT IS PROPRIETARY TO LINEAR TECHNOLOGY AND SUPPLIED FOR USE WITH LINEAR TECHNOLOGY PARTS.

SCALE = NONE

DATE: Wednesday, July 16, 2014 SHEET 1 OF 4



CUSTOMER NOTICE
 LINEAR TECHNOLOGY HAS MADE A BEST EFFORT TO DESIGN A CIRCUIT THAT MEETS CUSTOMER-SUPPLIED SPECIFICATIONS; HOWEVER, IT REMAINS THE CUSTOMER'S RESPONSIBILITY TO VERIFY PROPER AND RELIABLE OPERATION IN THE ACTUAL APPLICATION. COMPONENT SUBSTITUTION AND PRINTED CIRCUIT BOARD LAYOUT MAY SIGNIFICANTLY AFFECT CIRCUIT PERFORMANCE OR RELIABILITY. CONTACT LINEAR TECHNOLOGY APPLICATIONS ENGINEERING FOR ASSISTANCE.

THIS CIRCUIT IS PROPRIETARY TO LINEAR TECHNOLOGY AND SUPPLIED FOR USE WITH LINEAR TECHNOLOGY PARTS.

APPROVALS

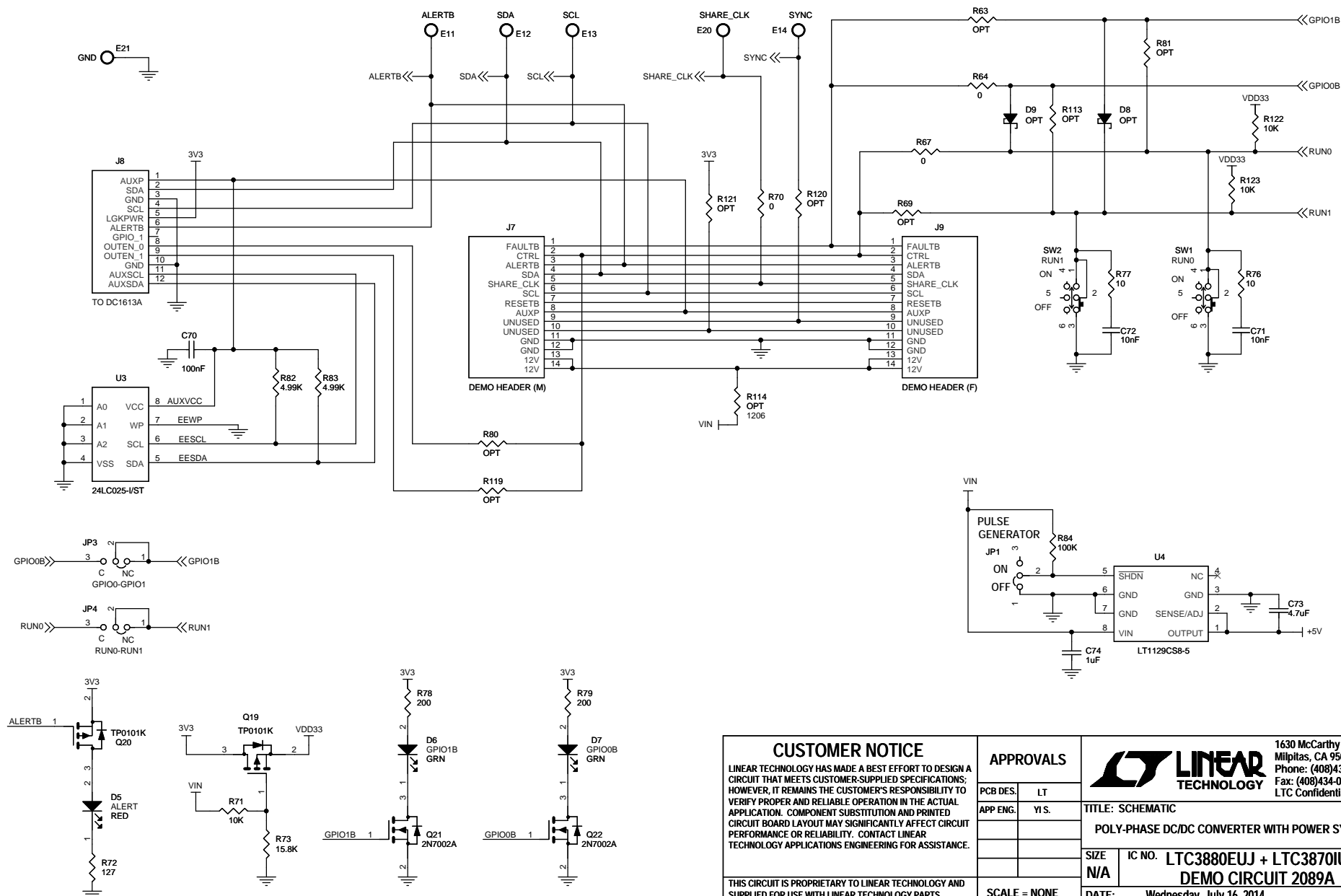
PCB DES.	LT
APP ENG.	YI S.
SCALE = NONE	

LINEAR TECHNOLOGY
 1630 McCarthy Blvd.
 Milpitas, CA 95035
 Phone: (408)432-1900 www.linear.com
 Fax: (408)434-0507
 LTC Confidential-For Customer Use Only

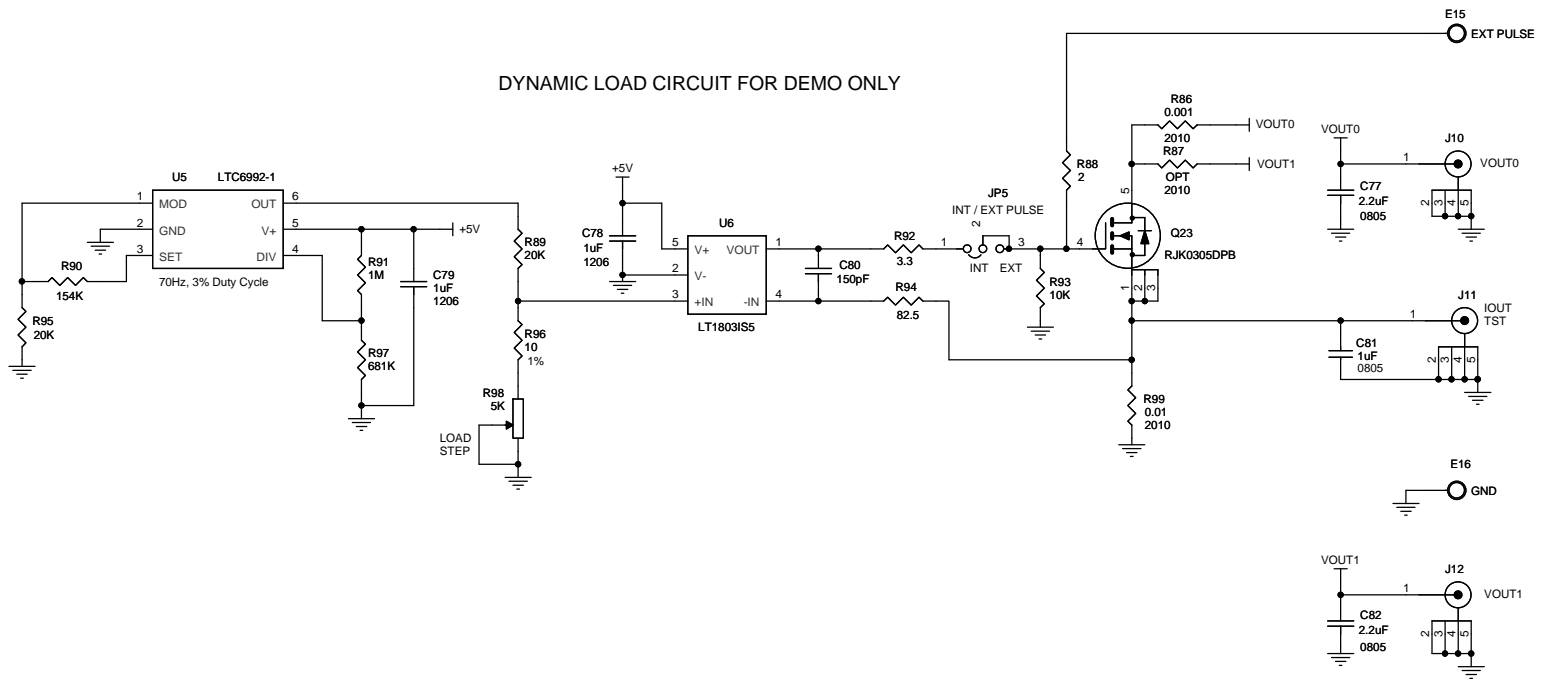
TITLE: SCHEMATIC
POLY-PHASE DC/DC CONVERTER WITH POWER SYSTEM MANAGEMENT

SIZE	IC NO. LTC3880EUJ + LTC3870IUFD	REV.
N/A	DEMO CIRCUIT 2089A	2
DATE:	Wednesday, July 16, 2014	SHEET 2 OF 4

ALL PARTS ON THIS PAGE ARE FOR DEMO ONLY, NOT NEEDED IN CUSTOMER DESIGN



CUSTOMER NOTICE		APPROVALS			1630 McCarthy Blvd. Milpitas, CA 95035 Phone: (408)432-1900 www.linear.com Fax: (408)434-0507 LTC Confidential-For Customer Use Only	
LINEAR TECHNOLOGY HAS MADE A BEST EFFORT TO DESIGN A CIRCUIT THAT MEETS CUSTOMER-SUPPLIED SPECIFICATIONS; HOWEVER, IT REMAINS THE CUSTOMER'S RESPONSIBILITY TO VERIFY PROPER AND RELIABLE OPERATION IN THE ACTUAL APPLICATION. COMPONENT SUBSTITUTION AND PRINTED CIRCUIT BOARD LAYOUT MAY SIGNIFICANTLY AFFECT CIRCUIT PERFORMANCE OR RELIABILITY. CONTACT LINEAR TECHNOLOGY APPLICATIONS ENGINEERING FOR ASSISTANCE.		PCB DES.	LT		TITLE: SCHEMATIC	
		APP ENG.	YI S.	POLY-PHASE DC/DC CONVERTER WITH POWER SYSTEM MANAGEMENT		
		SCALE = NONE		SIZE	IC NO. LTC3880EUJ + LTC3870IUFD	REV. 2
THIS CIRCUIT IS PROPRIETARY TO LINEAR TECHNOLOGY AND SUPPLIED FOR USE WITH LINEAR TECHNOLOGY PARTS.				DEMO CIRCUIT 2089A		
				DATE:	Wednesday, July 16, 2014	SHEET 3 OF 4



DYNAMIC LOAD CIRCUIT FOR DEMO ONLY

<p>CUSTOMER NOTICE</p> <p>LINEAR TECHNOLOGY HAS MADE A BEST EFFORT TO DESIGN A CIRCUIT THAT MEETS CUSTOMER-SUPPLIED SPECIFICATIONS; HOWEVER, IT REMAINS THE CUSTOMER'S RESPONSIBILITY TO VERIFY PROPER AND RELIABLE OPERATION IN THE ACTUAL APPLICATION. COMPONENT SUBSTITUTION AND PRINTED CIRCUIT BOARD LAYOUT MAY SIGNIFICANTLY AFFECT CIRCUIT PERFORMANCE OR RELIABILITY. CONTACT LINEAR TECHNOLOGY APPLICATIONS ENGINEERING FOR ASSISTANCE.</p>		<p>APPROVALS</p>		<p>1630 McCarthy Blvd. Milpitas, CA 95035 Phone: (408)432-1900 www.linear.com Fax: (408)434-0507 LTC Confidential-For Customer Use Only</p>		
		<p>PCB DES. LT</p>	<p>APP ENG. YI S.</p>			<p>TITLE: SCHEMATIC</p> <p>POLY-PHASE DC/DC CONVERTER WITH POWER SYSTEM MANAGEMENT</p>
<p>THIS CIRCUIT IS PROPRIETARY TO LINEAR TECHNOLOGY AND SUPPLIED FOR USE WITH LINEAR TECHNOLOGY PARTS.</p>		<p>SCALE = NONE</p>		<p>SIZE N/A</p>	<p>IC NO. LTC3880EUJ + LTC3870IUFD</p> <p>DEMO CIRCUIT 2089A</p>	<p>REV. 2</p>
		<p>DATE: Wednesday, July 16, 2014</p>		<p>SHEET 4 OF 4</p>		