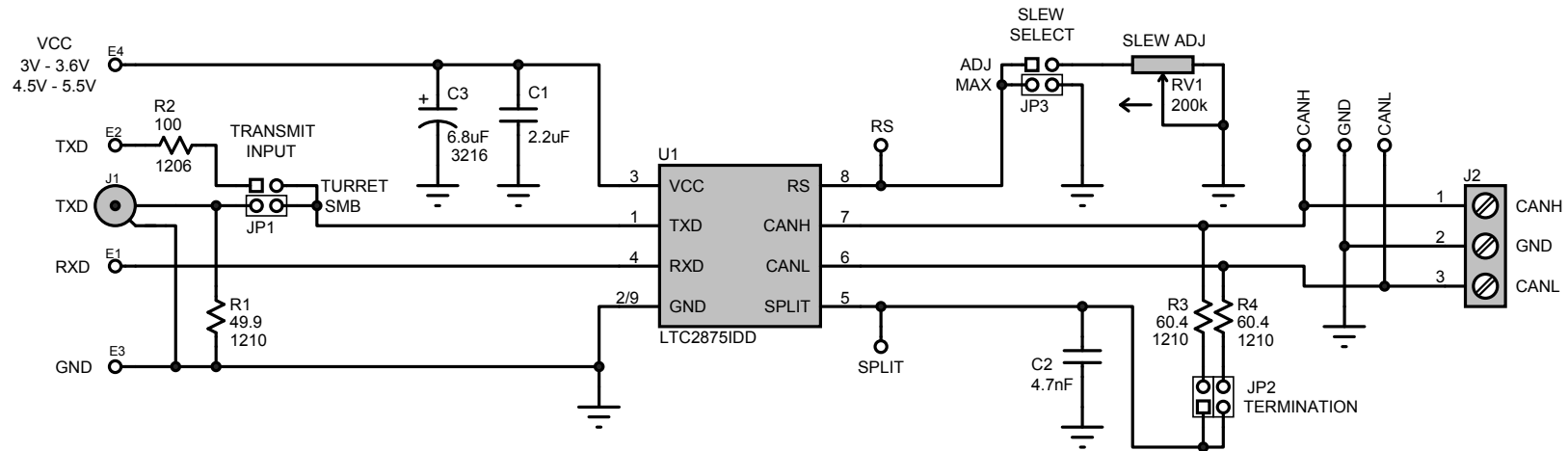


NOTES: UNLESS OTHERWISE SPECIFIED

1. ALL CAPACITORS ARE IN MICROFARADS, 0603.

REVISION HISTORY

ECO	REV	DESCRIPTION	APPROVED	DATE
-	2	2ND PROTOTYPE	KEITH B.	6-24-14



CUSTOMER NOTICE

LINEAR TECHNOLOGY HAS MADE A BEST EFFORT TO DESIGN A CIRCUIT THAT MEETS CUSTOMER - SUPPLIED SPECIFICATIONS; HOWEVER, IT REMAINS THE CUSTOMERS RESPONSIBILITY TO VERIFY PROPER AND RELIABLE OPERATION IN THE ACTUAL APPLICATION. COMPONENT SUBSTITUTION AND PRINTED CIRCUIT LAYOUT MAY SIGNIFICANTLY AFFECT CIRCUIT PERFORMANCE OR RELIABILITY. CONTACT LINEAR TECHNOLOGY APPLICATIONS ENGINEERING FOR ASSISTANCE.

THIS CIRCUIT IS PROPRIETARY TO LINEAR TECHNOLOGY AND SUPPLIED FOR USE WITH LINEAR TECHNOLOGY PARTS.

APPROVALS

PCB DES.	KWB
APP ENG.	KWB



1630 McCarthy Blvd.
Milpitas, CA 95035
Phone: (408) 432-1900
Fax: (408) 434-0507
www.linear.com

**LTC CONFIDENTIAL
FOR CUSTOMER
USE ONLY**

TITLE: SCHEMATIC

60V FAULT PROTECTED 25KV ESD CAN TRANSCEIVER

SIZE N/A	IC NO. LTC2875IDD DEMO CIRCUIT 2063A	REV. 2
-------------	--	-----------

SCALE = NONE

DATE: Thursday, September 04, 2014

SHEET 1 OF 1