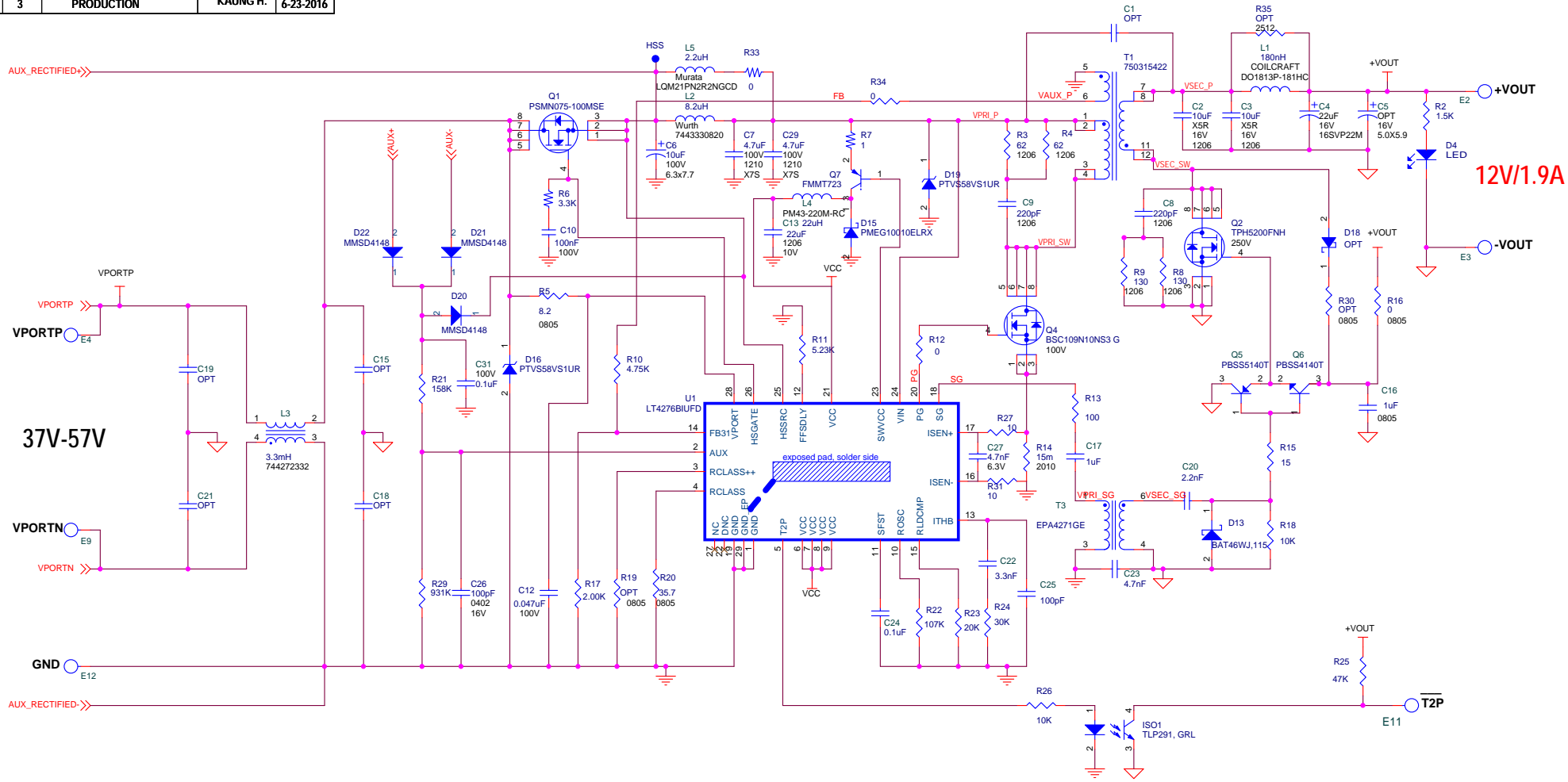


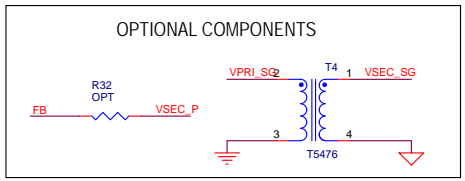
REVISION HISTORY

ECO	REV	DESCRIPTION	APPROVED	DATE
1	3	PRODUCTION	KAUNG H.	6-23-2016



12V/1.9A

37V-57V

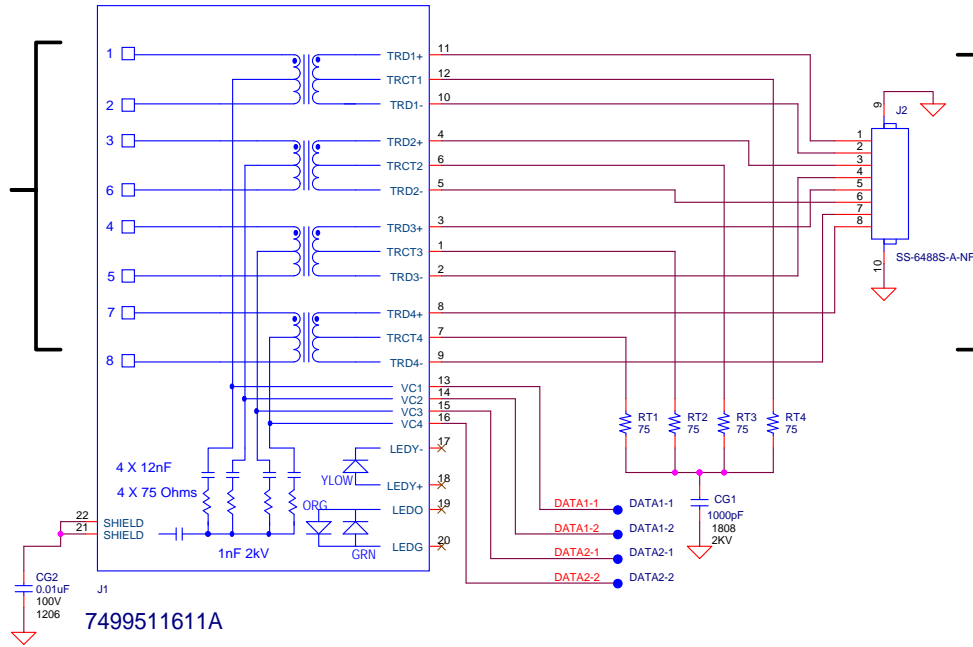


CUSTOMER NOTICE		APPROVALS		LINEAR TECHNOLOGY	
<p>LINEAR TECHNOLOGY HAS MADE A BEST EFFORT TO DESIGN A CIRCUIT THAT MEETS CUSTOMER-SUPPLIED SPECIFICATIONS; HOWEVER, IT REMAINS THE CUSTOMER'S RESPONSIBILITY TO VERIFY PROPER AND RELIABLE OPERATION IN THE ACTUAL APPLICATION. COMPONENT SUBSTITUTION AND PRINTED CIRCUIT BOARD LAYOUT MAY SIGNIFICANTLY AFFECT CIRCUIT PERFORMANCE OR RELIABILITY. CONTACT LINEAR TECHNOLOGY APPLICATIONS ENGINEERING FOR ASSISTANCE.</p>					
PCB DES.	K. HTOO	TITLE: SCHEMATIC		1630 McCarthy Blvd. Milpitas, CA 95035 Phone: (408)432-1900 www.linear.com	
APP ENG.	K. HTOO	HIGH EFFICIENCY POE PD INTERFACE WITH INTEGRATED SWITCHING REGULATOR AND 9V-57V AUX SUPPORT		Fax: (408)434-0507 LTC Confidential-For Customer Use Only	
SIZE	N/A	IC NO.	LT4276BIUFD, LT4321IUFD, LT4320IDD	REV.	3
THIS CIRCUIT IS PROPRIETARY TO LINEAR TECHNOLOGY AND SUPPLIED FOR USE WITH LINEAR TECHNOLOGY PARTS.		SCALE = NONE	DATE:	Thursday, September 08, 2016	SHEET 1 OF 3

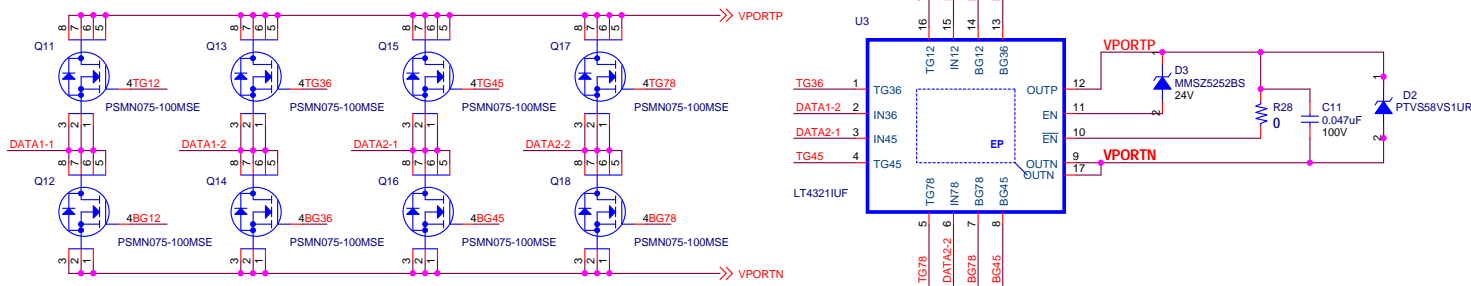
REVISION HISTORY				
ECO	REV	DESCRIPTION	APPROVED	DATE
1	3	PRODUCTION	KAUNG H.	6-23-2016

IN FROM
PoE+
PSE

OUT TO
PHY



PoE IDEAL DIODE BRIDGE



CUSTOMER NOTICE

LINEAR TECHNOLOGY HAS MADE A BEST EFFORT TO DESIGN A CIRCUIT THAT MEETS CUSTOMER-SUPPLIED SPECIFICATIONS; HOWEVER, IT REMAINS THE CUSTOMER'S RESPONSIBILITY TO VERIFY PROPER AND RELIABLE OPERATION IN THE ACTUAL APPLICATION. COMPONENT SUBSTITUTION AND PRINTED CIRCUIT BOARD LAYOUT MAY SIGNIFICANTLY AFFECT CIRCUIT PERFORMANCE OR RELIABILITY. CONTACT LINEAR TECHNOLOGY APPLICATIONS ENGINEERING FOR ASSISTANCE.

THIS CIRCUIT IS PROPRIETARY TO LINEAR TECHNOLOGY AND SUPPLIED FOR USE WITH LINEAR TECHNOLOGY PARTS.

APPROVALS

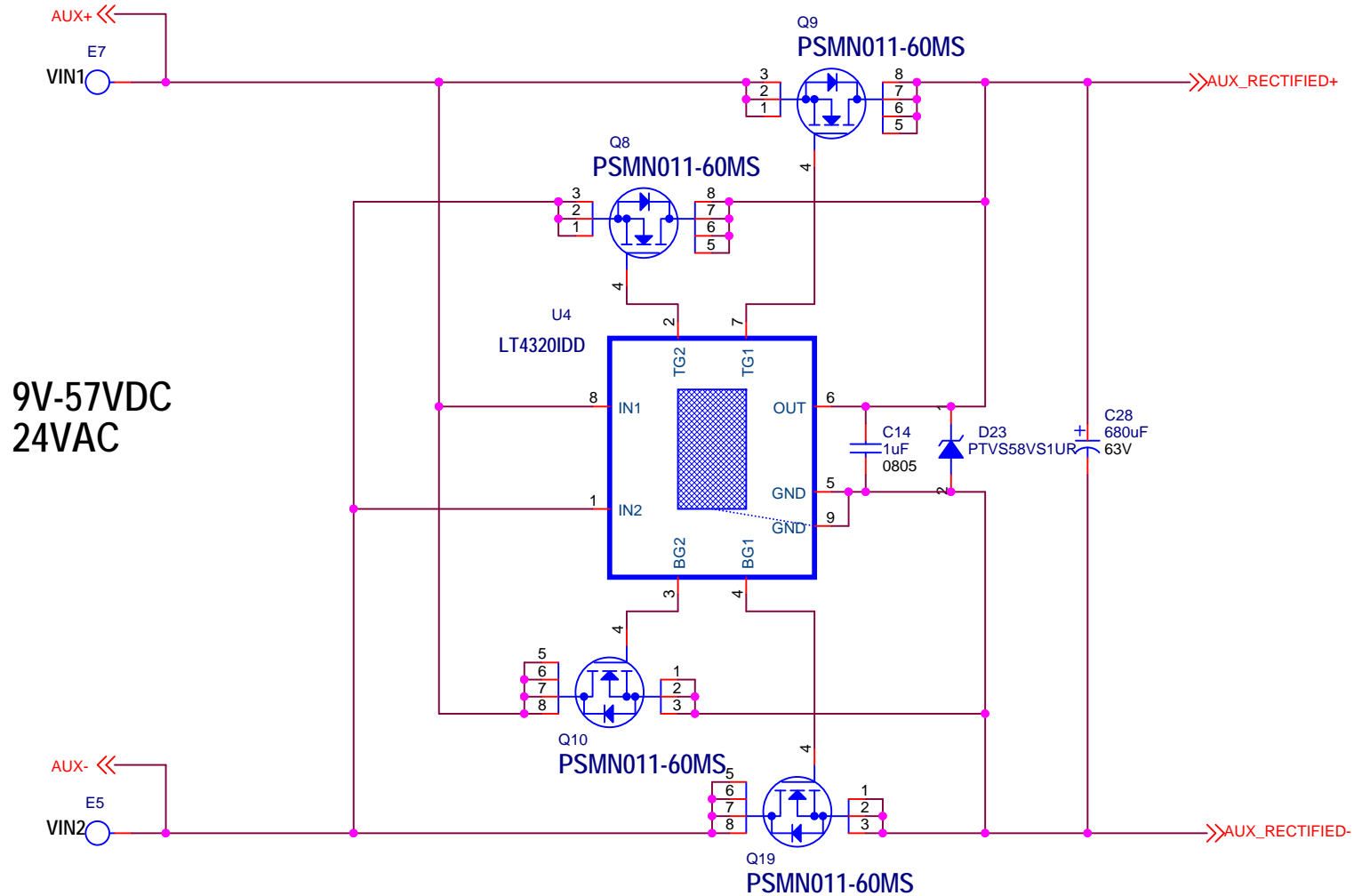
PCB DES.	K. HTOO
APP ENG.	K. HTOO
SCALE	= NONE



1630 McCarthy Blvd.
Milpitas, CA 95035
Phone: (408)432-1900 www.linear.com
Fax: (408)434-0507
LTC Confidential-For Customer Use Only

TITLE: SCHEMATIC		
HIGH EFFICIENCY POE PD INTERFACE WITH INTEGRATED SWITCHING REGULATOR AND 9V-5V AUX SUPPORT		
SIZE	IC NO. LT4276BIUFD, LT4321IUF, LT4320IDD	REV.
N/A	DEMO CIRCUIT 2047A-A	3
DATE:	Thursday, September 08, 2016	SHEET 2 OF 3

REVISION HISTORY				
ECO	REV	DESCRIPTION	APPROVED	DATE
1	3	PRODUCTION	KAUNG H.	6-23-2016



CUSTOMER NOTICE

LINEAR TECHNOLOGY HAS MADE A BEST EFFORT TO DESIGN A CIRCUIT THAT MEETS CUSTOMER-SUPPLIED SPECIFICATIONS; HOWEVER, IT REMAINS THE CUSTOMER'S RESPONSIBILITY TO VERIFY PROPER AND RELIABLE OPERATION IN THE ACTUAL APPLICATION. COMPONENT SUBSTITUTION AND PRINTED CIRCUIT BOARD LAYOUT MAY SIGNIFICANTLY AFFECT CIRCUIT PERFORMANCE OR RELIABILITY. CONTACT LINEAR TECHNOLOGY APPLICATIONS ENGINEERING FOR ASSISTANCE.

THIS CIRCUIT IS PROPRIETARY TO LINEAR TECHNOLOGY AND SUPPLIED FOR USE WITH LINEAR TECHNOLOGY PARTS.

APPROVALS	
PCB DES.	K. HTOO
APP ENG.	K. HTOO
SCALE = NONE	

LINEAR TECHNOLOGY

1630 McCarthy Blvd.
Milpitas, CA 95035
Phone: (408)432-1900 www.linear.com
Fax: (408)434-0507
LTC Confidential-For Customer Use Only

TITLE: SCHEMATIC

HIGH EFFICIENCY POE PD INTERFACE WITH INTEGRATED SWITCHING REGULATOR AND 9V-57V AUX SUPPORT

SIZE N/A	IC NO. LT4276BIUFD, LT4321IUF, LT4320IDD DEMO CIRCUIT 2047A-A	REV. 3
DATE: Thursday, September 08, 2016		SHEET 3 OF 3