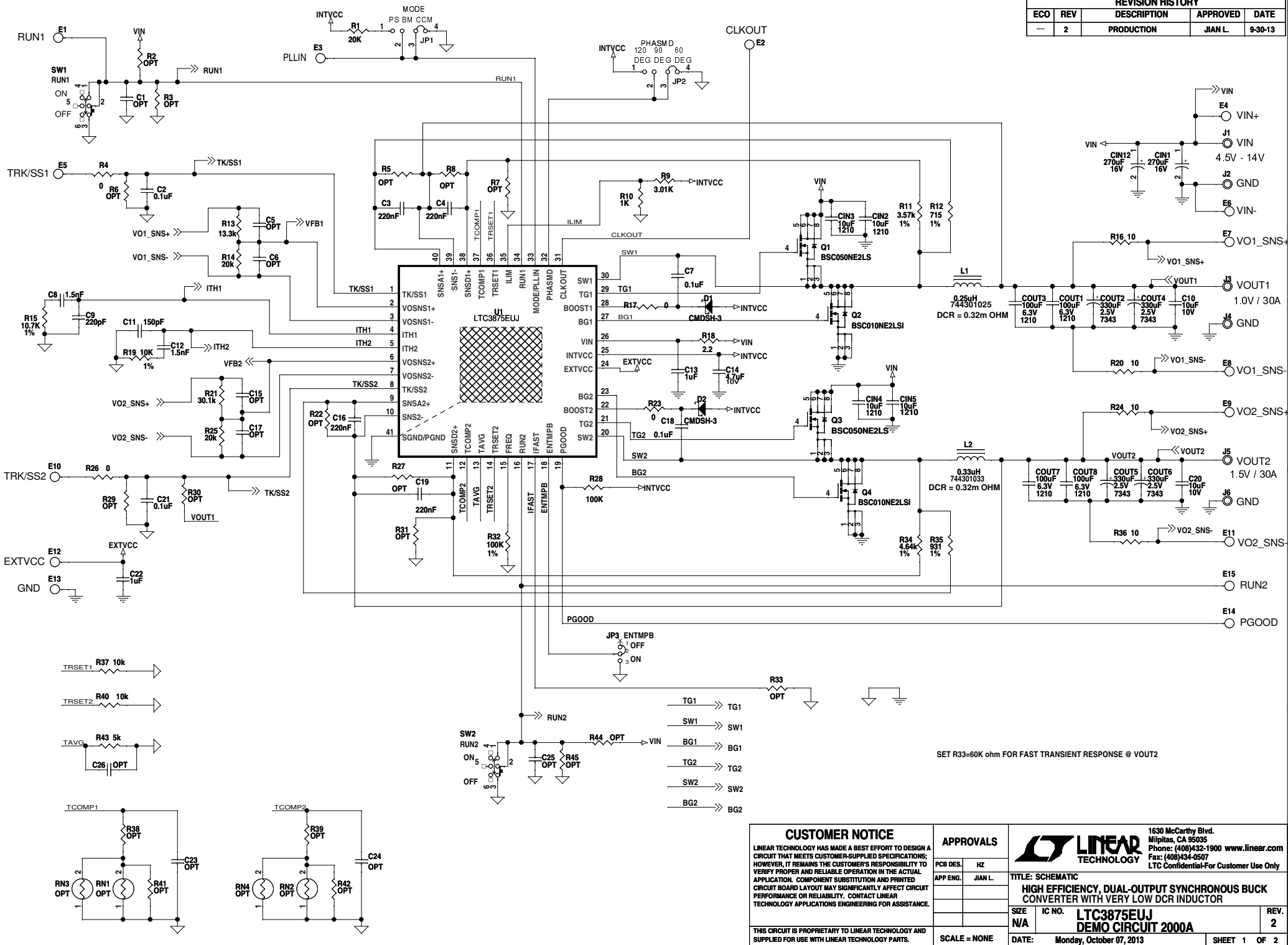


REVISION HISTORY				
ECO	REV	DESCRIPTION	APPROVED	DATE
-	2	PRODUCTION	JIAN L.	9-30-13



SET R33=60K ohm FOR FAST TRANSIENT RESPONSE @ VOUT2

**CUSTOMER NOTICE**  
 LINEAR TECHNOLOGY HAS MADE A BEST EFFORT TO DESIGN A CIRCUIT THAT MEETS CUSTOMER-SUPPLIED SPECIFICATIONS; HOWEVER, IT REMAINS THE CUSTOMER'S RESPONSIBILITY TO VERIFY PROPER AND RELIABLE OPERATION IN THE ACTUAL APPLICATION. COMPONENT SUBSTITUTION AND PRINTED CIRCUIT BOARD LAYOUT MAY SIGNIFICANTLY AFFECT CIRCUIT PERFORMANCE OR RELIABILITY. CONTACT LINEAR TECHNOLOGY APPLICATIONS ENGINEERING FOR ASSISTANCE.

**APPROVALS**

PCB DES.	HZ
APP ENG.	JIAN L.
SCALE	NONE

**LINEAR TECHNOLOGY**

1630 McCarthy Blvd.  
 Milpitas, CA 95035  
 Phone: (408)432-1900 www.linear.com  
 Fax: (408)434-0507  
 LTC Confidential-For Customer Use Only

TITLE: SCHEMATIC  
**HIGH EFFICIENCY, DUAL-OUTPUT SYNCHRONOUS BUCK CONVERTER WITH VERY LOW DCR INDUCTOR**

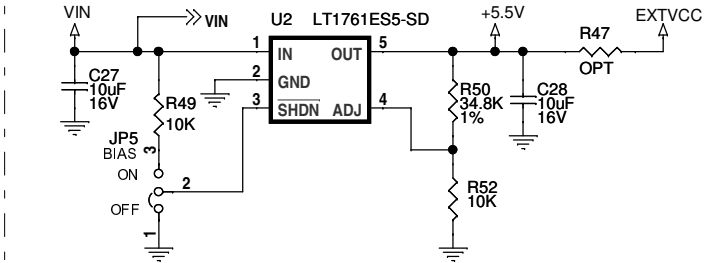
SIZE	IC NO.	REV.
N/A	<b>LTC3875EUJ</b>	2
<b>DEMO CIRCUIT 2000A</b>		
DATE:	Monday, October 07, 2013	SHEET 1 OF 2

OPTIONAL JUMPERS FOR SINGLE OUTPUT/DUAL PHASE OPERATION

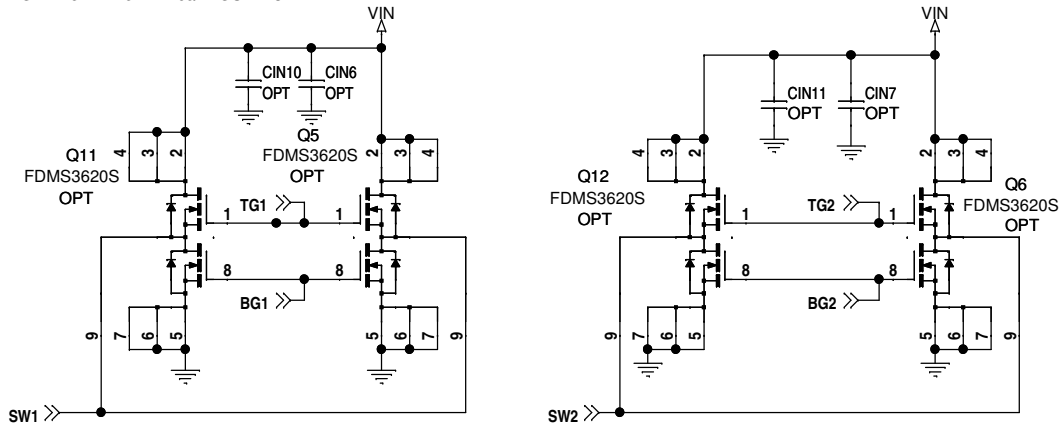


FOR DUAL PHASE OPERATION, REMOVE R24, R36, R21, R25, AND SHORT VOUT1 AND VOUT2.

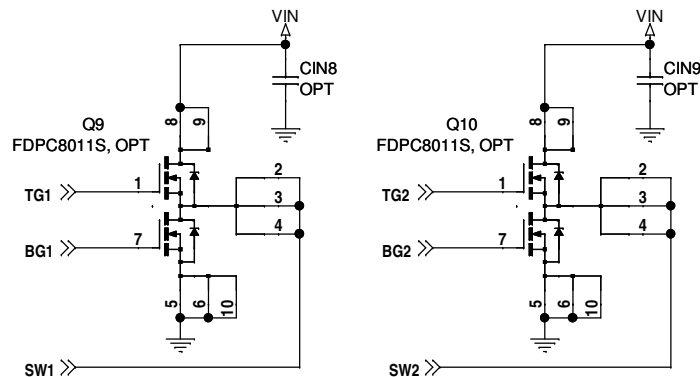
OPTIONAL 5.5V BIAS



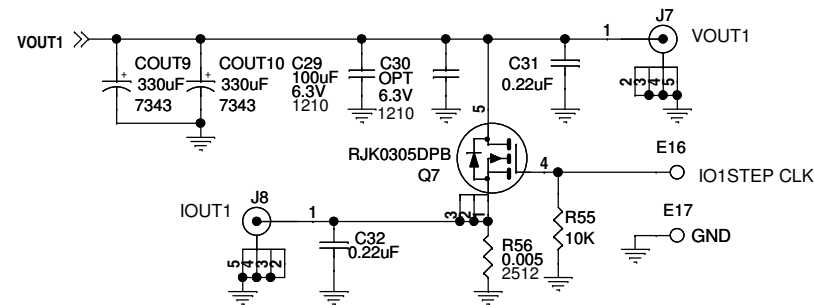
OPTIONAL 5mm x 6mm Dual-MOSFETs



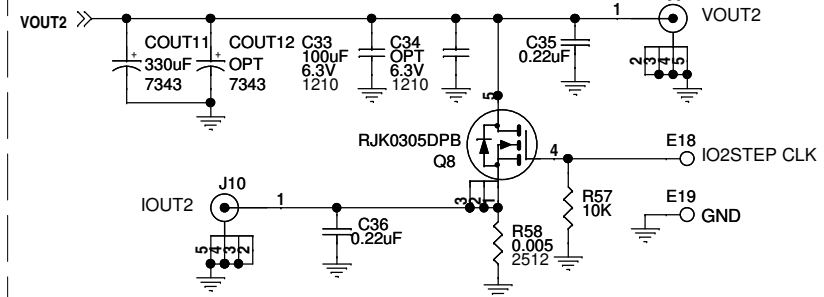
OPTIONAL 3mm x 3mm Dual-MOSFETs



LOAD STEP CIRCUIT 1



LOAD STEP CIRCUIT 2



CUSTOMER NOTICE

LINEAR TECHNOLOGY HAS MADE A BEST EFFORT TO DESIGN A CIRCUIT THAT MEETS CUSTOMER-SUPPLIED SPECIFICATIONS; HOWEVER, IT REMAINS THE CUSTOMER'S RESPONSIBILITY TO VERIFY PROPER AND RELIABLE OPERATION IN THE ACTUAL APPLICATION. COMPONENT SUBSTITUTION AND PRINTED CIRCUIT BOARD LAYOUT MAY SIGNIFICANTLY AFFECT CIRCUIT PERFORMANCE OR RELIABILITY. CONTACT LINEAR TECHNOLOGY APPLICATIONS ENGINEERING FOR ASSISTANCE.

THIS CIRCUIT IS PROPRIETARY TO LINEAR TECHNOLOGY AND SUPPLIED FOR USE WITH LINEAR TECHNOLOGY PARTS.

APPROVALS

PCB DES.	HZ
APP ENG.	JIAN L.
SCALE = NONE	



1630 McCarthy Blvd.  
Milpitas, CA 95035  
Phone: (408)432-1900 www.linear.com  
Fax: (408)434-0507  
LTC Confidential-For Customer Use Only

TITLE: SCHEMATIC  
HIGH EFFICIENCY, DUAL-OUTPUT SYNCHRONOUS BUCK

SIZE	IC NO.	LTC3875EUJ DEMO CIRCUIT 2000A	REV.
N/A			2
DATE:	Monday, October 07, 2013		SHEET 2 OF 2