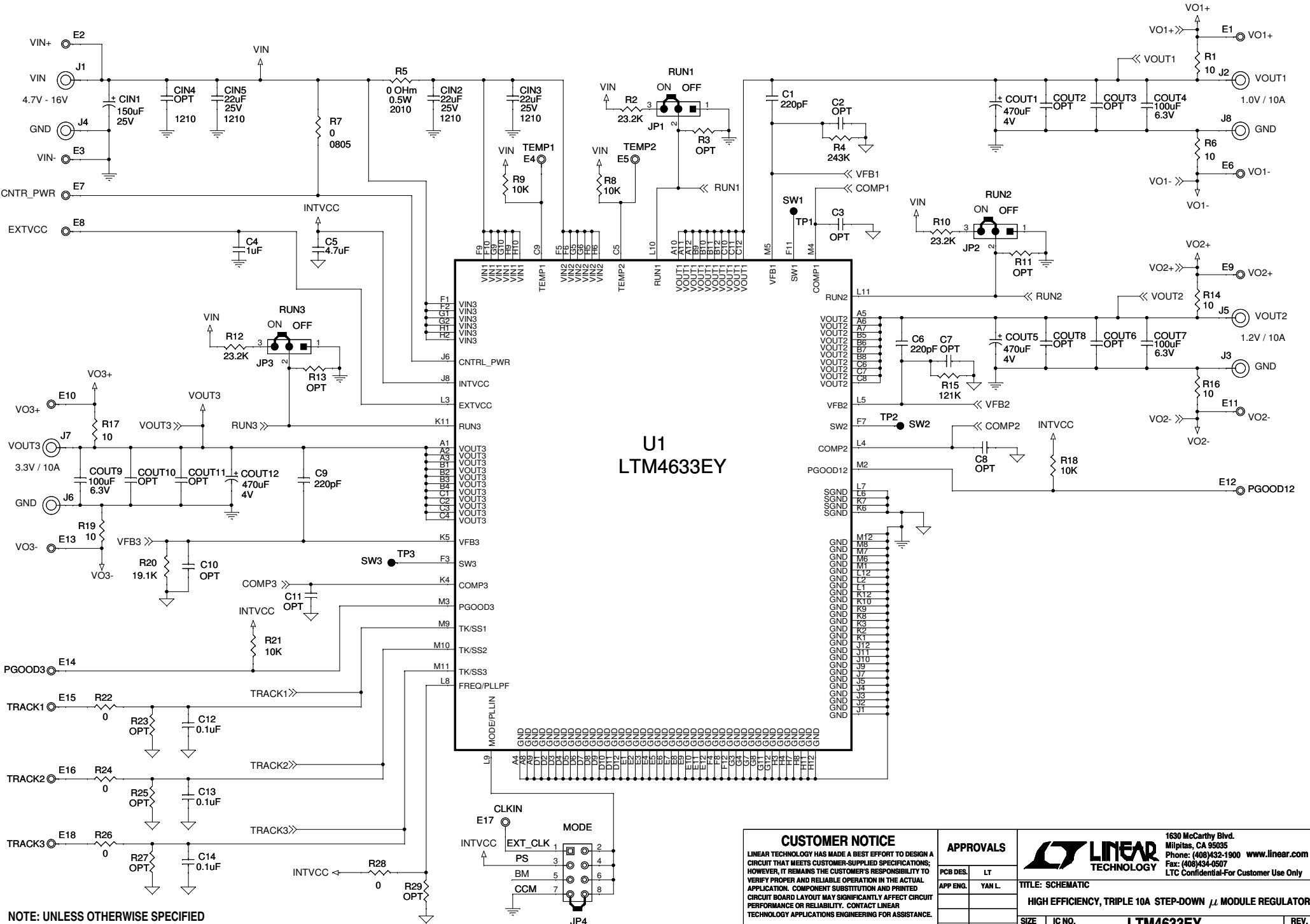


| REVISION HISTORY | | | | |
|------------------|-----|-------------|----------|----------|
| ECO | REV | DESCRIPTION | APPROVED | DATE |
| - | 2 | PRODUCTION | YAN L. | 06-20-13 |



NOTE: UNLESS OTHERWISE SPECIFIED
 1. ALL RESISTORS ARE IN OHMS, 0603.
 ALL CAPACITORS ARE 0603.

CUSTOMER NOTICE
 LINEAR TECHNOLOGY HAS MADE A BEST EFFORT TO DESIGN A CIRCUIT THAT MEETS CUSTOMER-SUPPLIED SPECIFICATIONS; HOWEVER, IT REMAINS THE CUSTOMER'S RESPONSIBILITY TO VERIFY PROPER AND RELIABLE OPERATION IN THE ACTUAL APPLICATION. COMPONENT SUBSTITUTION MAY SIGNIFICANTLY AFFECT CIRCUIT PERFORMANCE OR RELIABILITY. CONTACT LINEAR TECHNOLOGY APPLICATIONS ENGINEERING FOR ASSISTANCE.

| APPROVALS | |
|-----------|--------|
| PCB DES. | LT |
| APP ENG. | YAN L. |

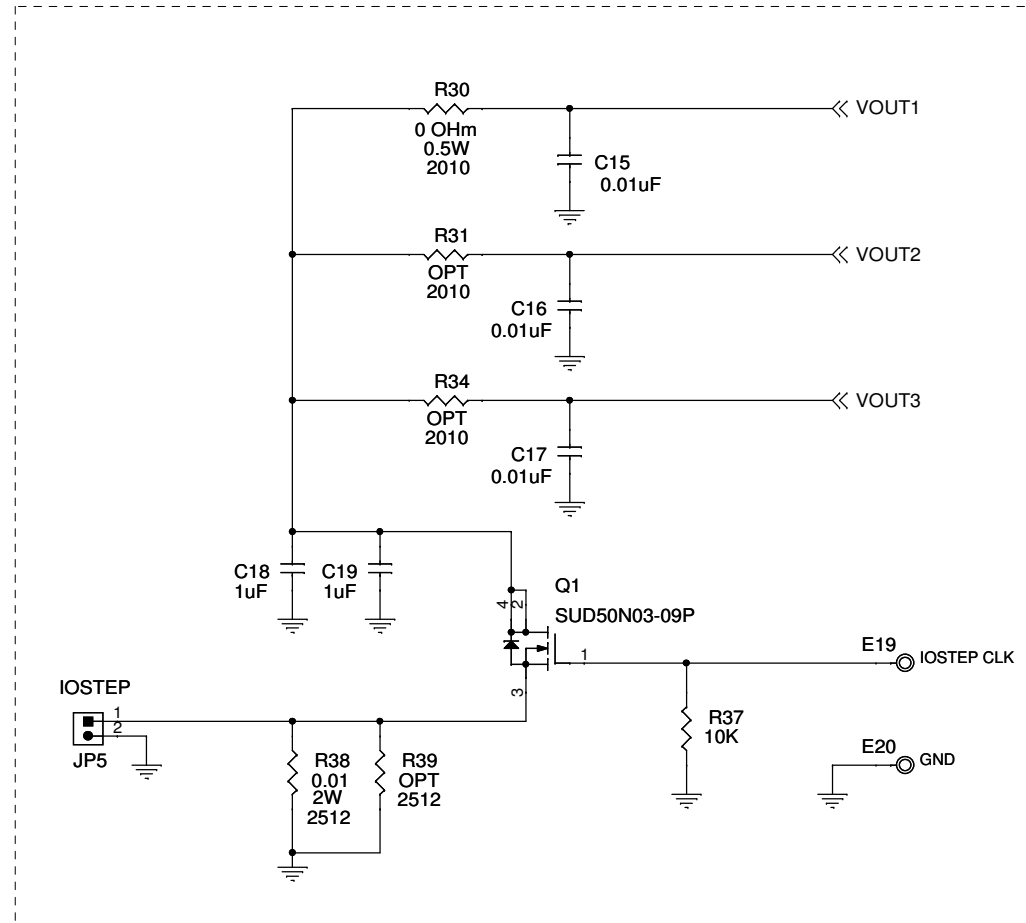
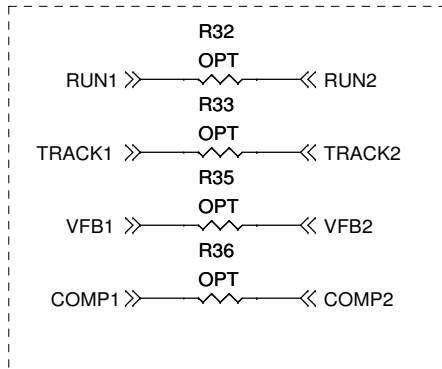
LINEAR TECHNOLOGY
 1630 McCarthy Blvd.
 Milpitas, CA 95035
 Phone: (408)432-1900 www.linear.com
 Fax: (408)434-0507
 LTC Confidential-For Customer Use Only

TITLE: SCHEMATIC
HIGH EFFICIENCY, TRIPLE 10A STEP-DOWN μ MODULE REGULATOR

| | | |
|--------------|----------------------------------|--------------|
| SIZE | IC NO. | REV. |
| N/A | LTM4633EY | 2 |
| DATE: | Thursday, June 20, 2013 | SHEET 1 OF 2 |
| SCALE = NONE | TITLE: DEMO CIRCUIT 1905A | |

LOAD TRANSIENT CIRCUIT

OPTIONAL JUMPER FOR 2+1 OUTPUT CONFIGURATION



CUSTOMER NOTICE

LINEAR TECHNOLOGY HAS MADE A BEST EFFORT TO DESIGN A CIRCUIT THAT MEETS CUSTOMER-SUPPLIED SPECIFICATIONS; HOWEVER, IT REMAINS THE CUSTOMER'S RESPONSIBILITY TO VERIFY PROPER AND RELIABLE OPERATION IN THE ACTUAL APPLICATION. COMPONENT SUBSTITUTION AND PRINTED CIRCUIT BOARD LAYOUT MAY SIGNIFICANTLY AFFECT CIRCUIT PERFORMANCE OR RELIABILITY. CONTACT LINEAR TECHNOLOGY APPLICATIONS ENGINEERING FOR ASSISTANCE.

THIS CIRCUIT IS PROPRIETARY TO LINEAR TECHNOLOGY AND SUPPLIED FOR USE WITH LINEAR TECHNOLOGY PARTS.

APPROVALS

| | |
|----------|--------|
| PCB DES. | LT |
| APP ENG. | YAN L. |
| | |
| | |

SCALE = NONE



1630 McCarthy Blvd.
Milpitas, CA 95035
Phone: (408)432-1900 www.linear.com
Fax: (408)434-0507
LTC Confidential-For Customer Use Only

TITLE: SCHEMATIC
HIGH EFFICIENCY, TRIPLE 10A STEP-DOWN μ MODULE REGULATOR

| | | | |
|------|--------|---|------|
| SIZE | IC NO. | LTM4633EY DEMO CIRCUIT 1905A | REV. |
| N/A | | | 2 |

DATE: Thursday, June 20, 2013

SHEET 2 OF 2