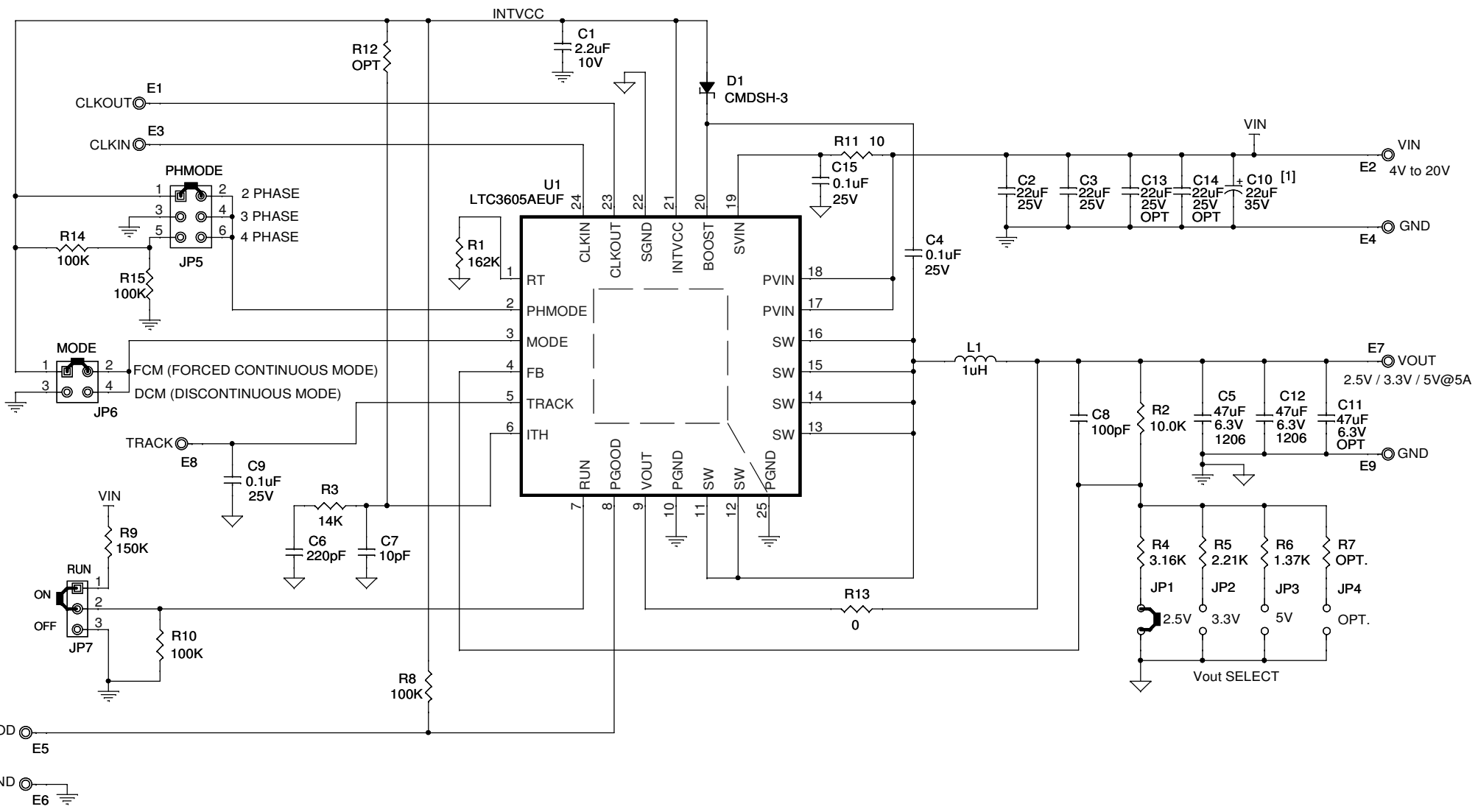


REVISION HISTORY				
ECO	REV	DESCRIPTION	DATE	APPROVED
	1	PRODUCTION	11/01/13	TOM G.



NOTES:

[1] C10 IS AN OPTIONAL CAPACITOR. IT IS INSERTED ON THE DC1897A TO DAMPEN THE (POSSIBLE) RINGING VOLTAGE DUE TO THE LONG INPUT LEADS. ON A NORMAL, TYPICAL PCB, WITH SHORT TRACES, THE CAPACITOR IS NOT NEEDED.

CUSTOMER NOTICE		APPROVALS			1630 McCarthy Blvd. Milpitas, CA 95035 Phone: (408)432-1900 www.linear.com Fax: (408)434-0507 LTC Confidential-For Customer Use Only	
LINEAR TECHNOLOGY HAS MADE A BEST EFFORT TO DESIGN A CIRCUIT THAT MEETS CUSTOMER-SUPPLIED SPECIFICATIONS; HOWEVER, IT REMAINS THE CUSTOMER'S RESPONSIBILITY TO VERIFY PROPER AND RELIABLE OPERATION IN THE ACTUAL APPLICATION. COMPONENT SUBSTITUTION AND PRINTED CIRCUIT BOARD LAYOUT MAY SIGNIFICANTLY AFFECT CIRCUIT PERFORMANCE OR RELIABILITY. CONTACT LINEAR TECHNOLOGY APPLICATIONS ENGINEERING FOR ASSISTANCE.		PCB DES.	MI		TITLE: SCHEMATIC 5A MONOLITHIC SYNCHRONOUS BUCK REGULATOR	
THIS CIRCUIT IS PROPRIETARY TO LINEAR TECHNOLOGY AND SUPPLIED FOR USE WITH LINEAR TECHNOLOGY PARTS.		APP ENG.	TOM G.	SIZE	IC NO.	REV.
				N/A	LTC3605AEUF	1
		SCALE = NONE		PCB NO.	DEMO CIRCUIT 1897B	
				DATE:	11/07/13 10:52:40	SHEET 1 OF 1