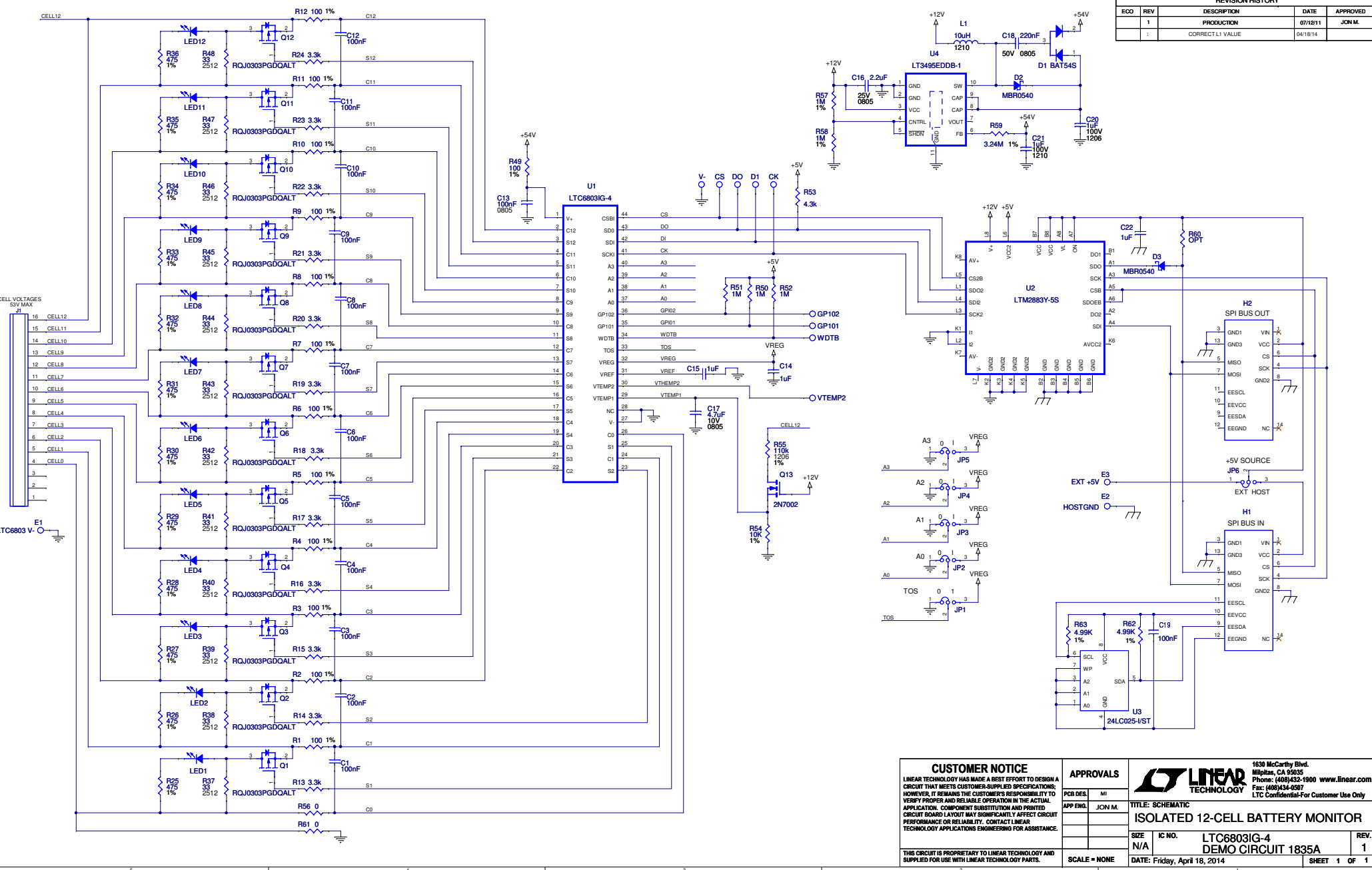
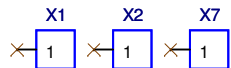


REVISION HISTORY				
EDD	REV	DESCRIPTION	DATE	APPROVED
	1	PRODUCTION	07/12/11	JON M.
	1	CORRECT L1 VALUE	04/18/14	

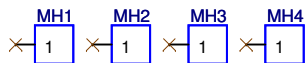


CUSTOMER NOTICE		APPROVALS		LINEAR TECHNOLOGY	
LINEAR TECHNOLOGY HAS MADE A BEST EFFORT TO DESIGN A CIRCUIT THAT MEETS CUSTOMER-SUPPLIED SPECIFICATIONS; HOWEVER, IT REMAINS THE CUSTOMER'S RESPONSIBILITY TO VERIFY PROPER AND RELIABLE OPERATION IN THE ACTUAL APPLICATION. COMPONENT SUBSTITUTION AND PRINTED CIRCUIT BOARD LAYOUT MAY SIGNIFICANTLY AFFECT CIRCUIT PERFORMANCE OR RELIABILITY. CONTACT LINEAR TECHNOLOGY APPLICATIONS ENGINEERING FOR ASSISTANCE.		PCB DES.	MI		
		APP ENG.	JON M.		
THIS CIRCUIT IS PROPRIETARY TO LINEAR TECHNOLOGY AND SUPPLIED FOR USE WITH LINEAR TECHNOLOGY PARTS.		SCALE = NONE		<b>TITLE: SCHEMATIC</b> <b>ISOLATED 12-CELL BATTERY MONITOR</b>	
SIZE	IC NO.	DATE: Friday, April 18, 2014		1630 McCarthy Blvd. Milpitas, CA 95035 Phone: (408)432-1900 www.linear.com Fax: (408)434-0917 LTC Confidential-For Customer Use Only	
N/A	LTC6803G-4			DEMO CIRCUIT 1835A REV. 1	
				SHEET 1 OF 1	

USED TO MANUFACTURE PCB



REPRESENTS TOOLING HOLES



REPRESENTS STAND OFFS

**CUSTOMER NOTICE**

LINEAR TECHNOLOGY HAS MADE A BEST EFFORT TO DESIGN A CIRCUIT THAT MEETS CUSTOMER-SUPPLIED SPECIFICATIONS; HOWEVER, IT REMAINS THE CUSTOMER'S RESPONSIBILITY TO VERIFY PROPER AND RELIABLE OPERATION IN THE ACTUAL APPLICATION. COMPONENT SUBSTITUTION AND PRINTED CIRCUIT BOARD LAYOUT MAY SIGNIFICANTLY AFFECT CIRCUIT PERFORMANCE OR RELIABILITY. CONTACT LINEAR TECHNOLOGY APPLICATIONS ENGINEERING FOR ASSISTANCE.

THIS CIRCUIT IS PROPRIETARY TO LINEAR TECHNOLOGY AND SUPPLIED FOR USE WITH LINEAR TECHNOLOGY PARTS.



1630 McCarthy Blvd.  
Milpitas, CA 95035  
Phone: (408)432-1900  
Fax: (408)434-0507  
www.linear.com

IC.NO

**LTC6803IG-4**

APPROVALS		DATE	TITLE			
DRAWN	MI	04/26/11	<b>ISOLATED 12-CELL BATTERY MONITOR</b>			
CHECKED						
APPROVED			SIZE	CAGE CODE	DWG NO	REV
ENGINEER JON MUNSON		05/19/11			<b>DC1835A</b>	<b>1</b>
DESIGNER						
Friday, June 24, 2011			SCALE: NONE	FILENAME: 1835a-1.PCB	SHEET 1	OF 1