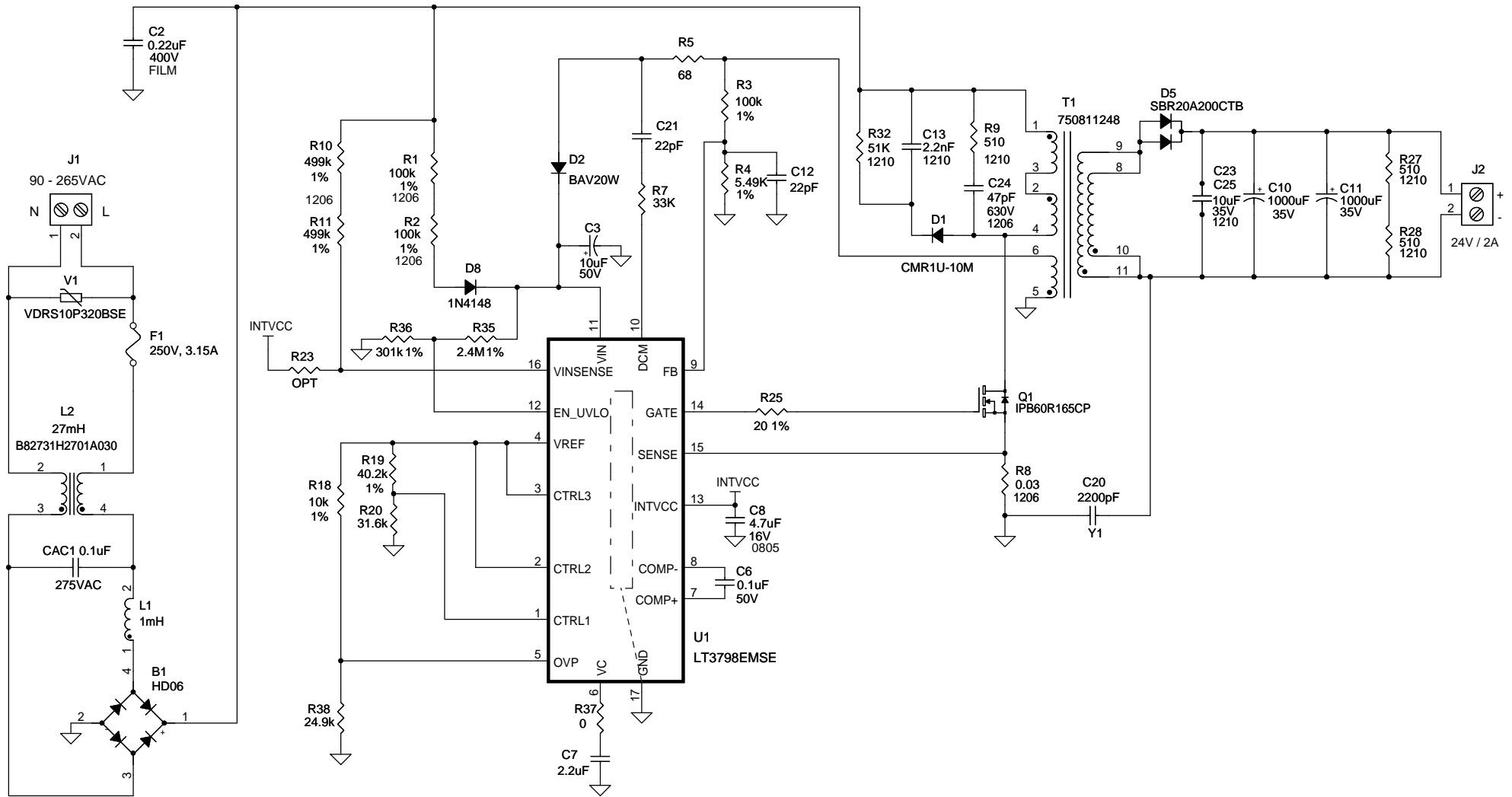


CAUTION: HANDLING HIGH VOLTAGE INVOLVES RISK TO LIFE. COMPLY WITH SAFETY REGULATIONS!



NOTES: UNLESS OTHERWISE SPECIFIED,  
1. ALL CAPACITORS AND RESISTORS ARE 0805.

<p><b>CUSTOMER NOTICE</b></p> <p>LINEAR TECHNOLOGY HAS MADE A BEST EFFORT TO DESIGN A CIRCUIT THAT MEETS CUSTOMER-SUPPLIED SPECIFICATIONS; HOWEVER, IT REMAINS THE CUSTOMER'S RESPONSIBILITY TO VERIFY PROPER AND RELIABLE OPERATION IN THE ACTUAL APPLICATION. COMPONENT SUBSTITUTION AND PRINTED CIRCUIT BOARD LAYOUT MAY SIGNIFICANTLY AFFECT CIRCUIT PERFORMANCE OR RELIABILITY. CONTACT LINEAR TECHNOLOGY APPLICATIONS ENGINEERING FOR ASSISTANCE.</p>		<p>1630 McCarthy Blvd. Milpitas, CA 95035 Phone: (408)432-1900 www.linear.com Fax: (408)434-0507 LTC Confidential-For Customer Use Only</p>	
<p>TITLE: SCHEMATIC</p> <p><b>ISOLATED NO OPTO-COUPLER FLYBACK CONTROLLER WITH ACTIVE PFC</b></p>			
SIZE	IC NO.	LT3798EMSE	REV.
N/A		DC1817B	1
THIS CIRCUIT IS PROPRIETARY TO LINEAR TECHNOLOGY AND SUPPLIED FOR USE WITH LINEAR TECHNOLOGY PARTS.		DATE: Wednesday, October 01, 2014	SHEET 1 OF 1