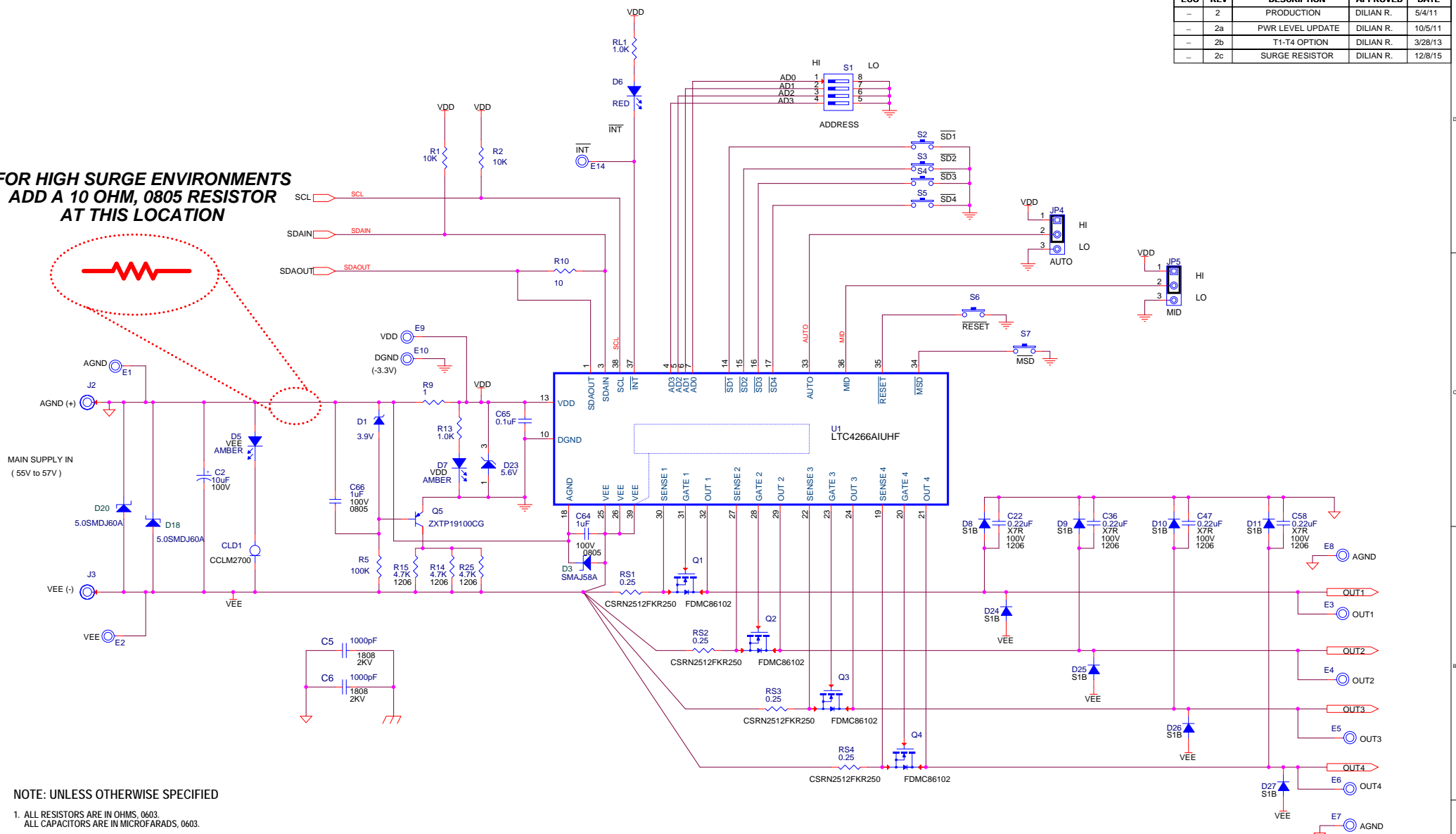
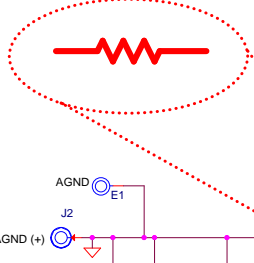


REVISION HISTORY				
ECO	REV	DESCRIPTION	APPROVED	DATE
-	2	PRODUCTION	DILIAN R.	5/4/11
-	2a	PWR LEVEL UPDATE	DILIAN R.	10/5/11
-	2b	T1-T4 OPTION	DILIAN R.	3/28/13
-	2c	SURGE RESISTOR	DILIAN R.	12/8/15

**FOR HIGH SURGE ENVIRONMENTS
ADD A 10 OHM, 0805 RESISTOR
AT THIS LOCATION**



NOTE: UNLESS OTHERWISE SPECIFIED

- ALL RESISTORS ARE IN OHMS, 0603.
- ALL CAPACITORS ARE IN MICROFARADS, 0603.
- INSTALL SHUNTS AS SHOWN.

ASSEMBLY VERSION	-WATT PSE	U1	FB1 - FB16
-A	38.7W	LTC4266AIUHF-1	MPZ2012S102A
-B	52.7W	LTC4266AIUHF-2	MPZ2012S102A
-C	70W	LTC4266AIUHF-3	MPZ2012S102A
-D	90W	LTC4266AIUHF-4	FBMH4532HM132-T

CUSTOMER NOTICE

LINEAR TECHNOLOGY HAS MADE A BEST EFFORT TO DESIGN A CIRCUIT THAT MEETS CUSTOMER-SUPPLIED SPECIFICATIONS; HOWEVER, IT REMAINS THE CUSTOMER'S RESPONSIBILITY TO VERIFY PROPER AND RELIABLE OPERATION IN THE ACTUAL APPLICATION. COMPONENT SUBSTITUTION AND PRINTED CIRCUIT BOARD LAYOUT MAY SIGNIFICANTLY AFFECT CIRCUIT PERFORMANCE OR RELIABILITY. CONTACT LINEAR TECHNOLOGY APPLICATIONS ENGINEERING FOR ASSISTANCE.

THIS CIRCUIT IS PROPRIETARY TO LINEAR TECHNOLOGY AND SUPPLIED FOR USE WITH LINEAR TECHNOLOGY PARTS.

APPROVALS

PCB DES. JK
APP ENG. DILIAN R.

SCALE = NONE

LINEAR TECHNOLOGY

1630 McCarthy Blvd.
Milpitas, CA 95035
Phone: (408)432-1900 www.linear.com
Fax: (408)434-0507
LTC Confidential-For Customer Use Only

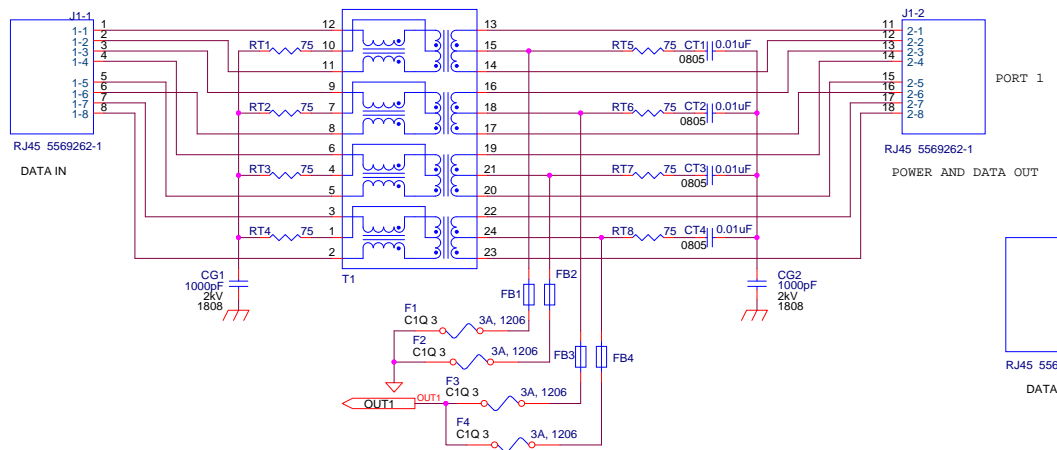
TITLE: SCHEMATIC
QUAD PORT LTPOE++ PSE CONTROLLER

SIZE N/A IC NO. LTC4266AIUHF FAMILY
DEMO CIRCUIT 1815A

DATE: Tuesday, December 08, 2015

REV. 2 SHEET 1 OF 3

REVISION HISTORY				
ECO	REV	DESCRIPTION	APPROVED	DATE
-	2	PRODUCTION	DILIAN R.	5/4/11
-	2a	PWR LEVEL UPDATE	DILIAN R.	10/5/11
-	2b	T1-T4 OPTION	DILIAN R.	3/28/13
-	2c	SURGE RESISTOR	DILIAN R.	12/8/15



PORT 1

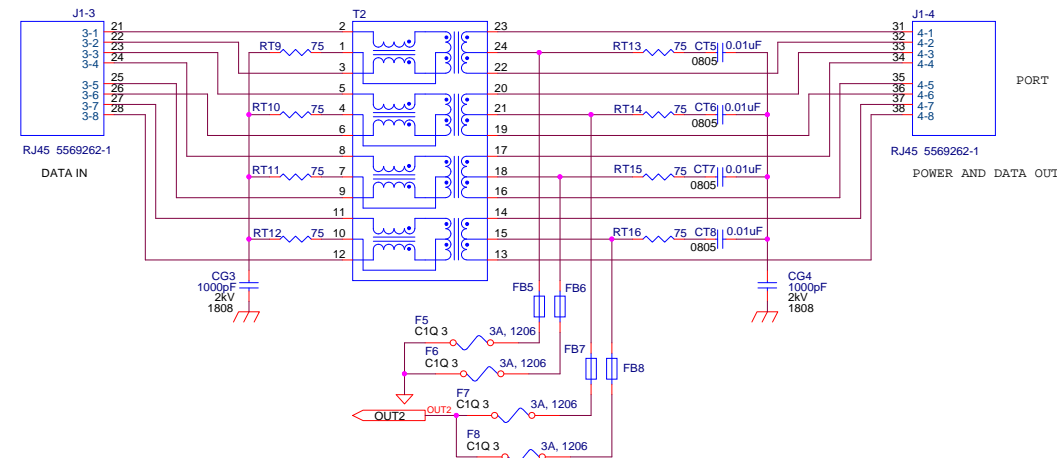
DATA IN

POWER AND DATA OUT

PORT 2

DATA IN

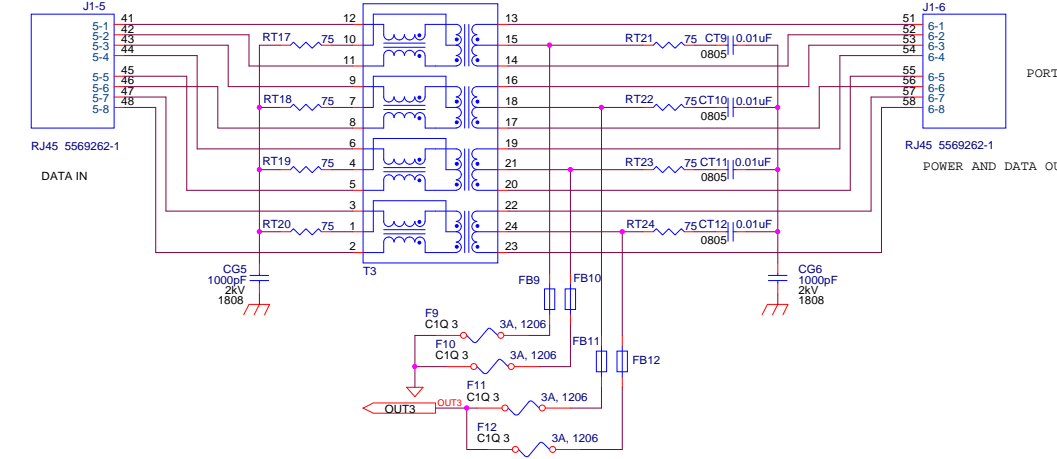
POWER AND DATA OUT



PORT 3

DATA IN

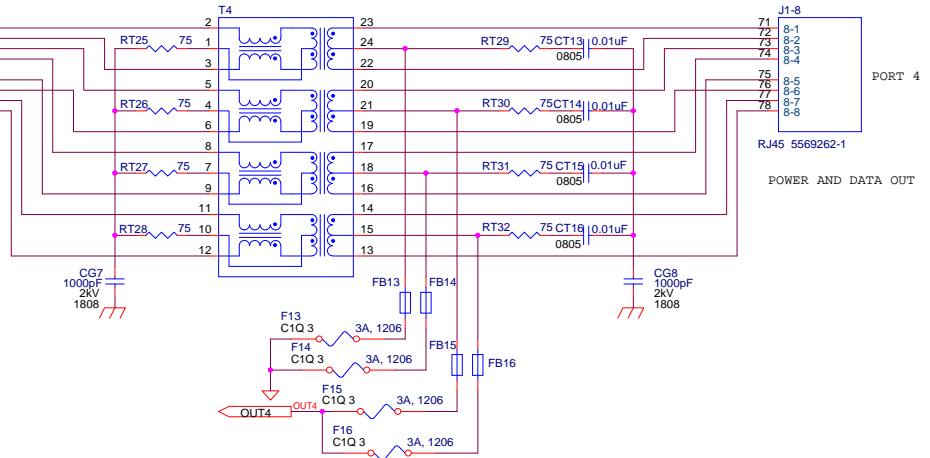
POWER AND DATA OUT



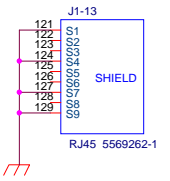
PORT 4

DATA IN

POWER AND DATA OUT



CONNECTOR SHIELDING

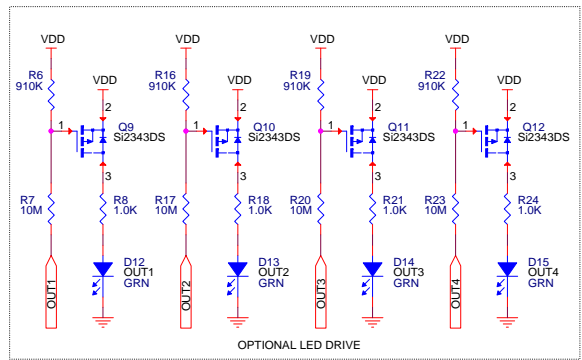


T1,T2,T3,T4: WURTH 749022016
COILCRAFT ETH1-460L

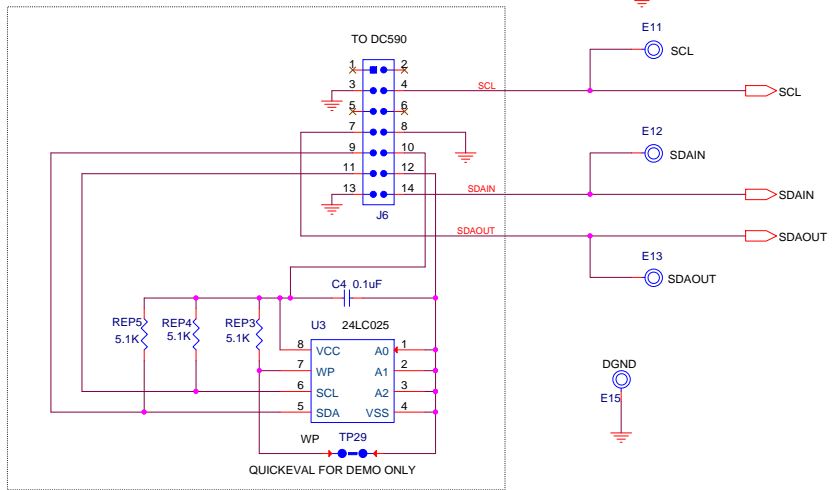
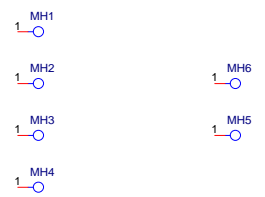
NOTE: FOR TEMPERATURE SENSITIVE 90W APPLICATIONS, TWO OF THE 749012013 MAY BE USED AS AN ALTERNATE TO EACH T1, T2, T3, and T4 WHICH HAS A HIGHER CURRENT RATING

CUSTOMER NOTICE		APPROVALS		LINEAR TECHNOLOGY		1630 McCarthy Blvd. Milpitas, CA 95035 Phone: (408)432-1900 www.linear.com Fax: (408)434-0507 LTC Confidential-For Customer Use Only	
LINEAR TECHNOLOGY HAS MADE A BEST EFFORT TO DESIGN A CIRCUIT THAT MEETS CUSTOMER-SUPPLIED SPECIFICATIONS; HOWEVER, IT REMAINS THE CUSTOMER'S RESPONSIBILITY TO VERIFY PROPER AND RELIABLE OPERATION IN THE ACTUAL APPLICATION. COMPONENT SUBSTITUTION AND PRINTED CIRCUIT BOARD LAYOUT MAY SIGNIFICANTLY AFFECT CIRCUIT PERFORMANCE OR RELIABILITY. CONTACT LINEAR TECHNOLOGY APPLICATIONS ENGINEERING FOR ASSISTANCE.		PCB DES.	JK	TITLE: SCHEMATIC		TM	
		APP ENG.	DILIAN R.	QUAD PORT LTPOE++		PSE CONTROLLER	
		SIZE	N/A	IC NO.	LTC4266AIUHF FAMILY	REV. 2	
		SCALE	NONE	DATE:	Tuesday, December 08, 2015	SHEET 2 OF 3	
THIS CIRCUIT IS PROPRIETARY TO LINEAR TECHNOLOGY AND SUPPLIED FOR USE WITH LINEAR TECHNOLOGY PARTS.							

REVISION HISTORY				
ECO	REV	DESCRIPTION	APPROVED	DATE
-	2	PRODUCTION	DILIAN R.	5/4/11
-	2a	PWR LEVEL UPDATE	DILIAN R.	10/5/11
-	2b	T1-T4 OPTION	DILIAN R.	3/28/13
-	2c	SURGE RESISTOR	DILIAN R.	12/8/15



MOUNTING HOLES



<p>CUSTOMER NOTICE</p> <p>LINEAR TECHNOLOGY HAS MADE A BEST EFFORT TO DESIGN A CIRCUIT THAT MEETS CUSTOMER-SUPPLIED SPECIFICATIONS; HOWEVER, IT REMAINS THE CUSTOMER'S RESPONSIBILITY TO VERIFY PROPER AND RELIABLE OPERATION IN THE ACTUAL APPLICATION. COMPONENT SUBSTITUTION AND PRINTED CIRCUIT BOARD LAYOUT MAY SIGNIFICANTLY AFFECT CIRCUIT PERFORMANCE OR RELIABILITY. CONTACT LINEAR TECHNOLOGY APPLICATIONS ENGINEERING FOR ASSISTANCE.</p> <p>THIS CIRCUIT IS PROPRIETARY TO LINEAR TECHNOLOGY AND SUPPLIED FOR USE WITH LINEAR TECHNOLOGY PARTS.</p>	<p>APPROVALS</p> <p>PCB DES. JK</p> <p>APP ENG. DILIAN R.</p>	<p>1630 McCarthy Blvd. Milpitas, CA 95035 Phone: (408)432-1900 www.linear.com Fax: (408)434-0507 LTC Confidential-For Customer Use Only</p>	
	<p>TITLE: SCHEMATIC</p> <p>QUAD PORT LTPoE++ PSE CONTROLLER</p>		
	<p>SIZE N/A</p> <p>IC NO. LTC4266AIUHF FAMILY</p> <p>DEMO CIRCUIT 1815A</p>		<p>REV. 2</p>
	<p>SCALE = NONE</p>		<p>DATE: Tuesday, December 08, 2015</p>