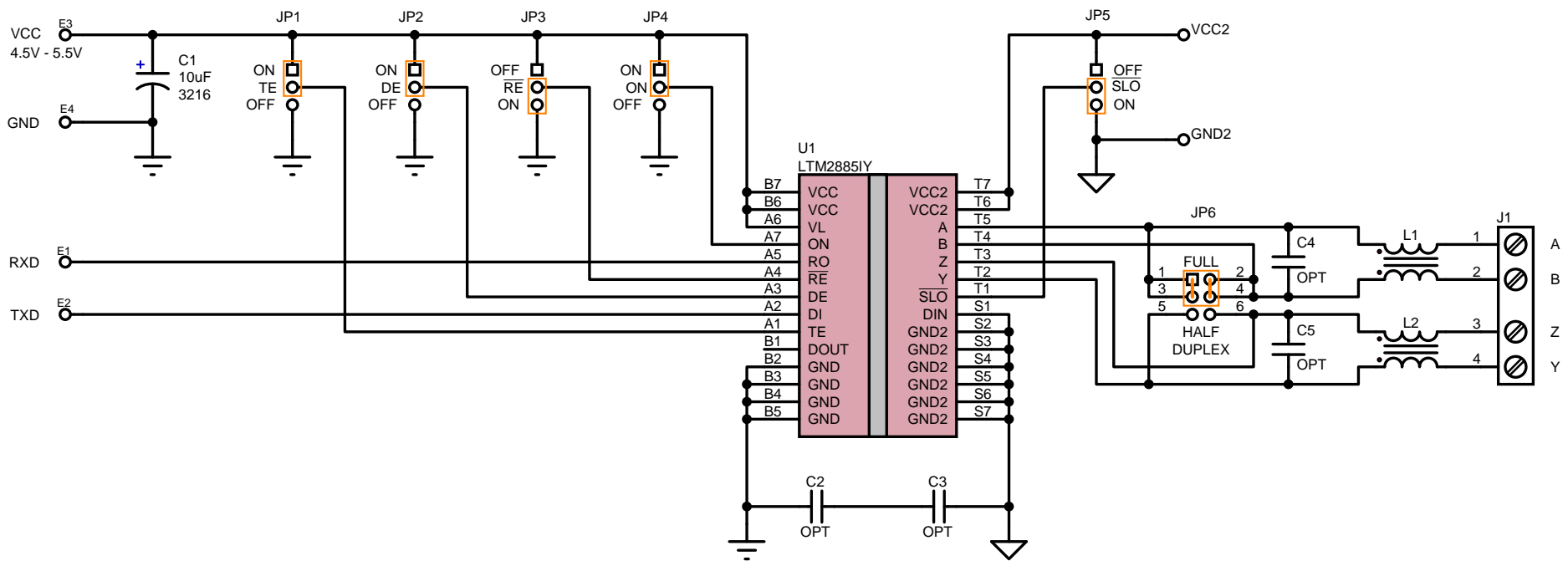


REVISION HISTORY				
ECO	REV	DESCRIPTION	APPROVED	DATE
-	3	3RD PROTOTYPE	KEITH B.	10-13-14



CUSTOMER NOTICE

LINEAR TECHNOLOGY HAS MADE A BEST EFFORT TO DESIGN A CIRCUIT THAT MEETS CUSTOMER - SUPPLIED SPECIFICATIONS; HOWEVER, IT REMAINS THE CUSTOMERS RESPONSIBILITY TO VERIFY PROPER AND RELIABLE OPERATION IN THE ACTUAL APPLICATION. COMPONENT SUBSTITUTION AND PRINTED CIRCUIT LAYOUT MAY SIGNIFICANTLY AFFECT CIRCUIT PERFORMANCE OR RELIABILITY. CONTACT LINEAR TECHNOLOGY APPLICATIONS ENGINEERING FOR ASSISTANCE.

THIS CIRCUIT IS PROPRIETARY TO LINEAR TECHNOLOGY AND SUPPLIED FOR USE WITH LINEAR TECHNOLOGY PARTS.

APPROVALS

PCB DES.	KEITH B.
APP ENG.	KEITH B.



1630 McCarthy Blvd.
Milpitas, CA 95035
Phone: (408) 432-1900
Fax: (408) 434-0507
www.linear.com

**LTC CONFIDENTIAL
FOR CUSTOMER
USE ONLY**

TITLE: SCHEMATIC			
REINFORCED RS485 ISOLATOR			
SIZE	IC NO.	LTM2885IY	REV.
N/A		DEMO CIRCUIT 1794A	3
SCALE = NONE		DATE: Tuesday, February 21, 2017	SHEET 1 OF 1