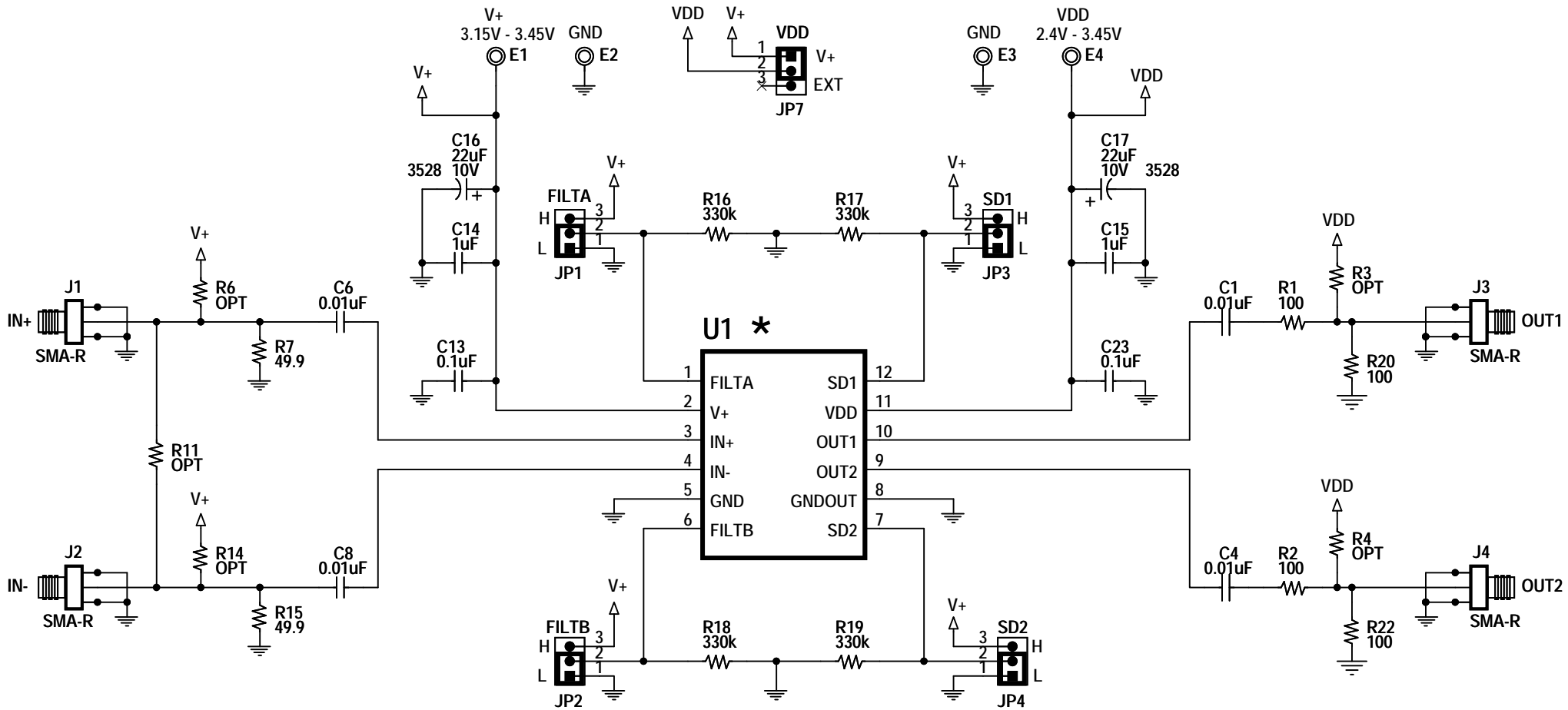


| REVISION HISTORY | | | | |
|------------------|-----|-------------|-----------|----------|
| ECO | REV | DESCRIPTION | APPROVED | DATE |
| — | 3 | PRODUCTION | MICHEL A. | 12-17-12 |



* ASSY U1

| | | |
|----|--------------------|--------------|
| -A | IN-PHASE CMOS | LTC6957HMS-3 |
| -B | COMPLEMENTARY CMOS | LTC6957HMS-4 |

NOTE: UNLESS OTHERWISE SPECIFIED

1. ALL RESISTORS AND CAPACITORS ARE 0603.

CUSTOMER NOTICE

LINEAR TECHNOLOGY HAS MADE A BEST EFFORT TO DESIGN A CIRCUIT THAT MEETS CUSTOMER-SUPPLIED SPECIFICATIONS; HOWEVER, IT REMAINS THE CUSTOMER'S RESPONSIBILITY TO VERIFY PROPER AND RELIABLE OPERATION IN THE ACTUAL APPLICATION. COMPONENT SUBSTITUTION AND PRINTED CIRCUIT BOARD LAYOUT MAY SIGNIFICANTLY AFFECT CIRCUIT PERFORMANCE OR RELIABILITY. CONTACT LINEAR TECHNOLOGY APPLICATIONS ENGINEERING FOR ASSISTANCE.

THIS CIRCUIT IS PROPRIETARY TO LINEAR TECHNOLOGY AND SUPPLIED FOR USE WITH LINEAR TECHNOLOGY PARTS.

APPROVALS

| | |
|--------------|-----------|
| PCB DES. | KIM T. |
| APP ENG. | MICHEL A. |
| SCALE = NONE | |

1630 McCarthy Blvd.
Milpitas, CA 95035
Phone: (408)432-1900 www.linear.com
Fax: (408)434-0507
LTC Confidential-For Customer Use Only

TITLE: SCHEMATIC

LOW PHASE NOISE, DUAL CMOS OUTPUT BUFFER/ DRIVER/ LOGIC CONVERTER

| | | |
|-------|---|--------------|
| SIZE | IC NO. | REV. |
| N/A | LTC6957HMS-3 / -4 DEMO CIRCUIT 1766A | 3 |
| DATE: | 12/17/2012, 01:39 PM | SHEET 1 OF 1 |