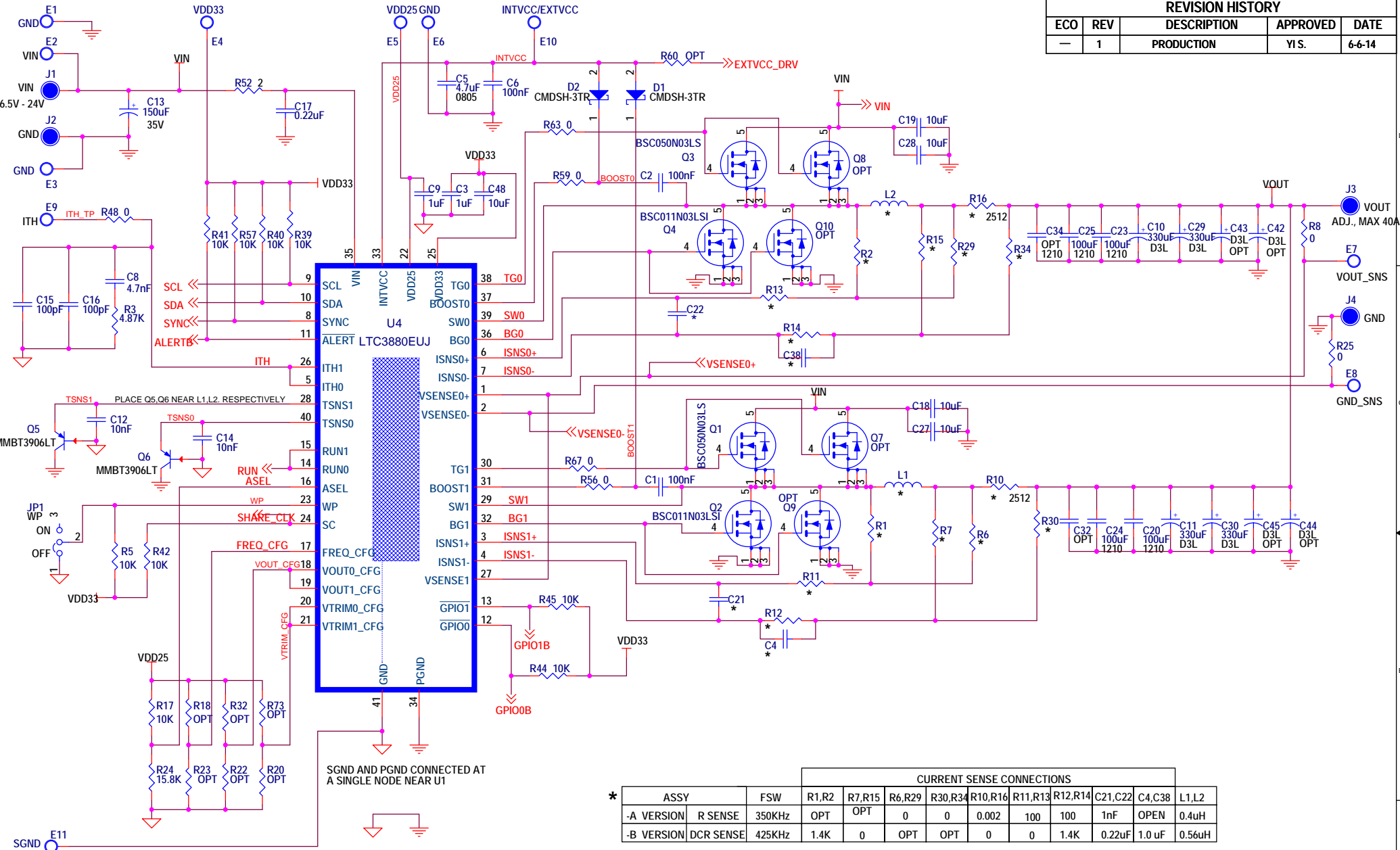


REVISION HISTORY				
ECO	REV	DESCRIPTION	APPROVED	DATE
-	1	PRODUCTION	YI.S.	6-6-14



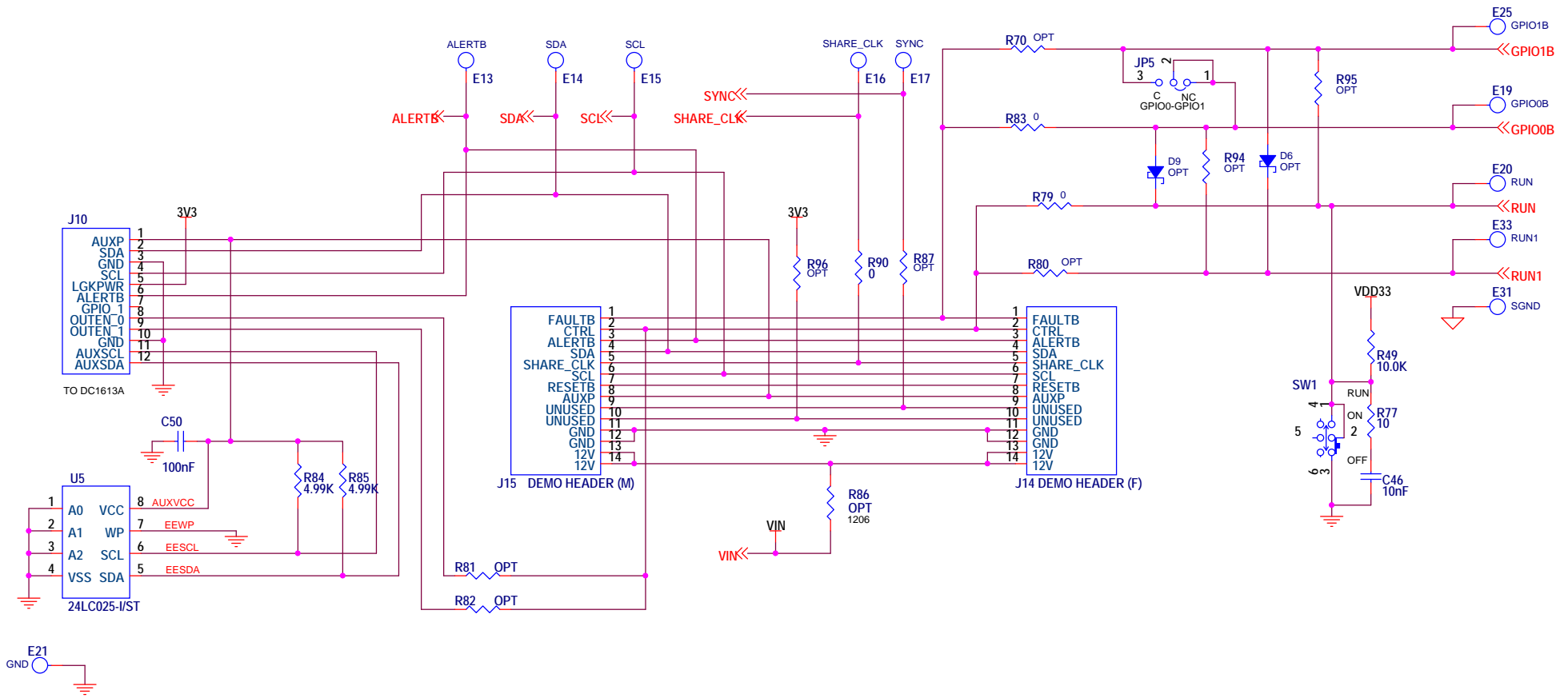
NOTE: UNLESS OTHERWISE SPECIFIED

- ALL RESISTORS ARE IN OHMS, 0603.
- ALL CAPACITORS ARE IN MICROFARADS, 0603.
- INSTALL SHUNTS AS SHOWN.

CURRENT SENSE CONNECTIONS												
* ASSY	FSW	R1,R2	R7,R15	R6,R29	R30,R34	R10,R16	R11,R13	R12,R14	C21,C22	C4,C38	L1,L2	
-A VERSION	R SENSE	350KHz	OPT	OPT	0	0	0.002	100	100	1nF	OPEN	0.4uH
-B VERSION	DCR SENSE	425KHz	1.4K	0	OPT	OPT	0	0	1.4K	0.22uF	1.0 uF	0.56uH

CUSTOMER NOTICE		APPROVALS			1630 McCarthy Blvd. Milpitas, CA 95035 Phone: (408)432-1900 www.linear.com Fax: (408)434-0507 LTC Confidential-For Customer Use Only	
LINEAR TECHNOLOGY HAS MADE A BEST EFFORT TO DESIGN A CIRCUIT THAT MEETS CUSTOMER-SUPPLIED SPECIFICATIONS; HOWEVER, IT REMAINS THE CUSTOMER'S RESPONSIBILITY TO VERIFY PROPER AND RELIABLE OPERATION IN THE ACTUAL APPLICATION. COMPONENT SUBSTITUTION AND PRINTED CIRCUIT BOARD LAYOUT MAY SIGNIFICANTLY AFFECT CIRCUIT PERFORMANCE OR RELIABILITY. CONTACT LINEAR TECHNOLOGY APPLICATIONS ENGINEERING FOR ASSISTANCE.		PCB DES.	HZ		TITLE: SCHEMATIC	
		APP ENG.	YI.S.	DUAL-PHASE SINGLE OUTPUT STEP-DOWN DC/DC CONVERTER WITH DIGITAL POWER MANAGEMENT		
		SCALE = NONE		SIZE	IC NO.	LTC3880EUJ
THIS CIRCUIT IS PROPRIETARY TO LINEAR TECHNOLOGY AND SUPPLIED FOR USE WITH LINEAR TECHNOLOGY PARTS.				N/A		REV. 1
				DATE: Monday, July 21, 2014		SHEET 1 OF 3

ALL PARTS ON THIS PAGE ARE FOR DEMO BOARD ONLY, NOT NEEDED IN CUSTOMER DESIGN



### CUSTOMER NOTICE

LINEAR TECHNOLOGY HAS MADE A BEST EFFORT TO DESIGN A CIRCUIT THAT MEETS CUSTOMER-SUPPLIED SPECIFICATIONS; HOWEVER, IT REMAINS THE CUSTOMER'S RESPONSIBILITY TO VERIFY PROPER AND RELIABLE OPERATION IN THE ACTUAL APPLICATION. COMPONENT SUBSTITUTION AND PRINTED CIRCUIT BOARD LAYOUT MAY SIGNIFICANTLY AFFECT CIRCUIT PERFORMANCE OR RELIABILITY. CONTACT LINEAR TECHNOLOGY APPLICATIONS ENGINEERING FOR ASSISTANCE.

THIS CIRCUIT IS PROPRIETARY TO LINEAR TECHNOLOGY AND SUPPLIED FOR USE WITH LINEAR TECHNOLOGY PARTS.

### APPROVALS

PCB DES.	HZ
APP ENG.	YI S.

SCALE = NONE



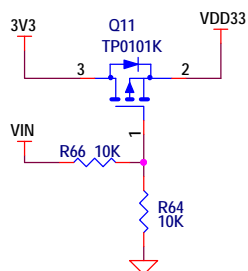
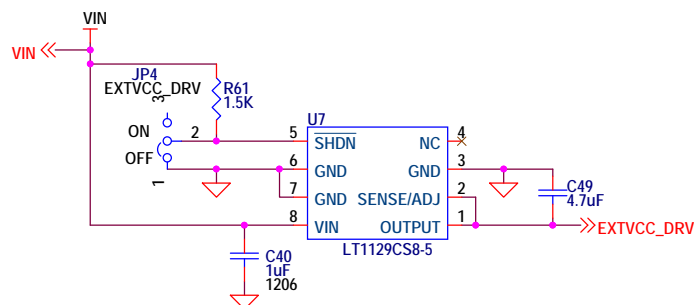
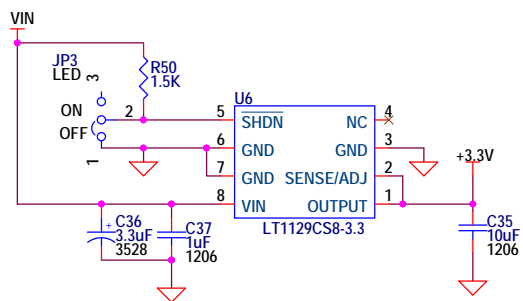
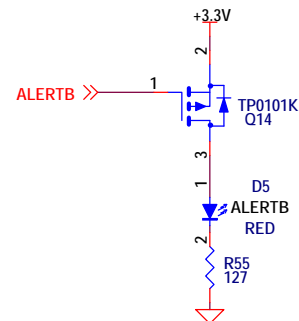
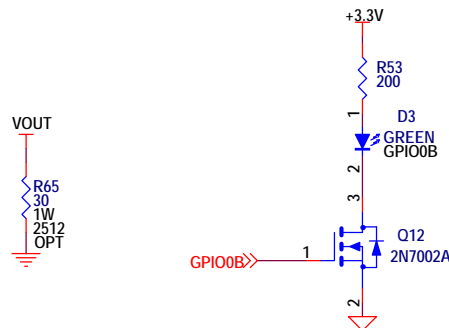
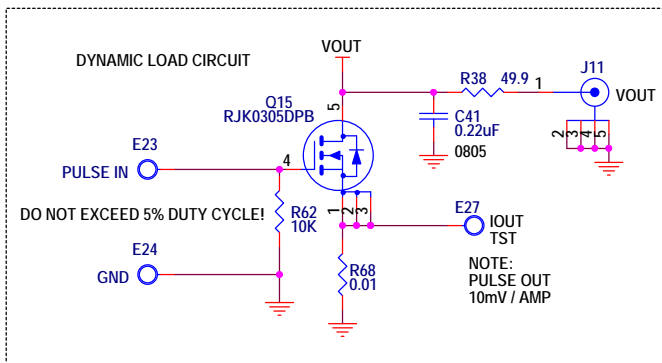
1630 McCarthy Blvd.  
Milpitas, CA 95035  
Phone: (408)432-1900 www.linear.com  
Fax: (408)434-0507  
LTC Confidential-For Customer Use Only

TITLE: SCHEMATIC  
DUAL-PHASE SINGLE OUTPUT STEP-DOWN DC/DC CONVERTER WITH DIGITAL POWER MANAGEMENT

SIZE	IC NO.	REV.
N/A	LTC3880EUJ	1
DEMO CIRCUIT 1753B-A/B		

DATE: Monday, July 21, 2014 SHEET 2 OF 3

ALL PARTS ON THIS PAGE ARE FOR DEMO ONLY, NOT NEEDED IN CUSTOMER DESIGN



CUSTOMER NOTICE		APPROVALS		LINEAR TECHNOLOGY		
LINEAR TECHNOLOGY HAS MADE A BEST EFFORT TO DESIGN A CIRCUIT THAT MEETS CUSTOMER-SUPPLIED SPECIFICATIONS; HOWEVER, IT REMAINS THE CUSTOMER'S RESPONSIBILITY TO VERIFY PROPER AND RELIABLE OPERATION IN THE ACTUAL APPLICATION. COMPONENT SUBSTITUTION AND PRINTED CIRCUIT BOARD LAYOUT MAY SIGNIFICANTLY AFFECT CIRCUIT PERFORMANCE OR RELIABILITY. CONTACT LINEAR TECHNOLOGY APPLICATIONS ENGINEERING FOR ASSISTANCE.		PCB DES.	HZ	1630 McCarthy Blvd. Milpitas, CA 95035 Phone: (408)432-1900 www.linear.com Fax: (408)434-0507 LTC Confidential-For Customer Use Only		
		APP ENG.	yi.s.			
		TITLE: SCHEMATIC DUAL-PHASE SINGLE OUTPUT STEP-DOWN DC/DC CONVERTER WITH DIGITAL POWER MANAGEMENT		SCALE = NONE	DATE: Friday, August 29, 2014	SHEET 3 OF 3
		THIS CIRCUIT IS PROPRIETARY TO LINEAR TECHNOLOGY AND SUPPLIED FOR USE WITH LINEAR TECHNOLOGY PARTS.		SIZE N/A	IC NO. LTC3880EUJ	REV. 1
				DEMO CIRCUIT 1753B-A/B		