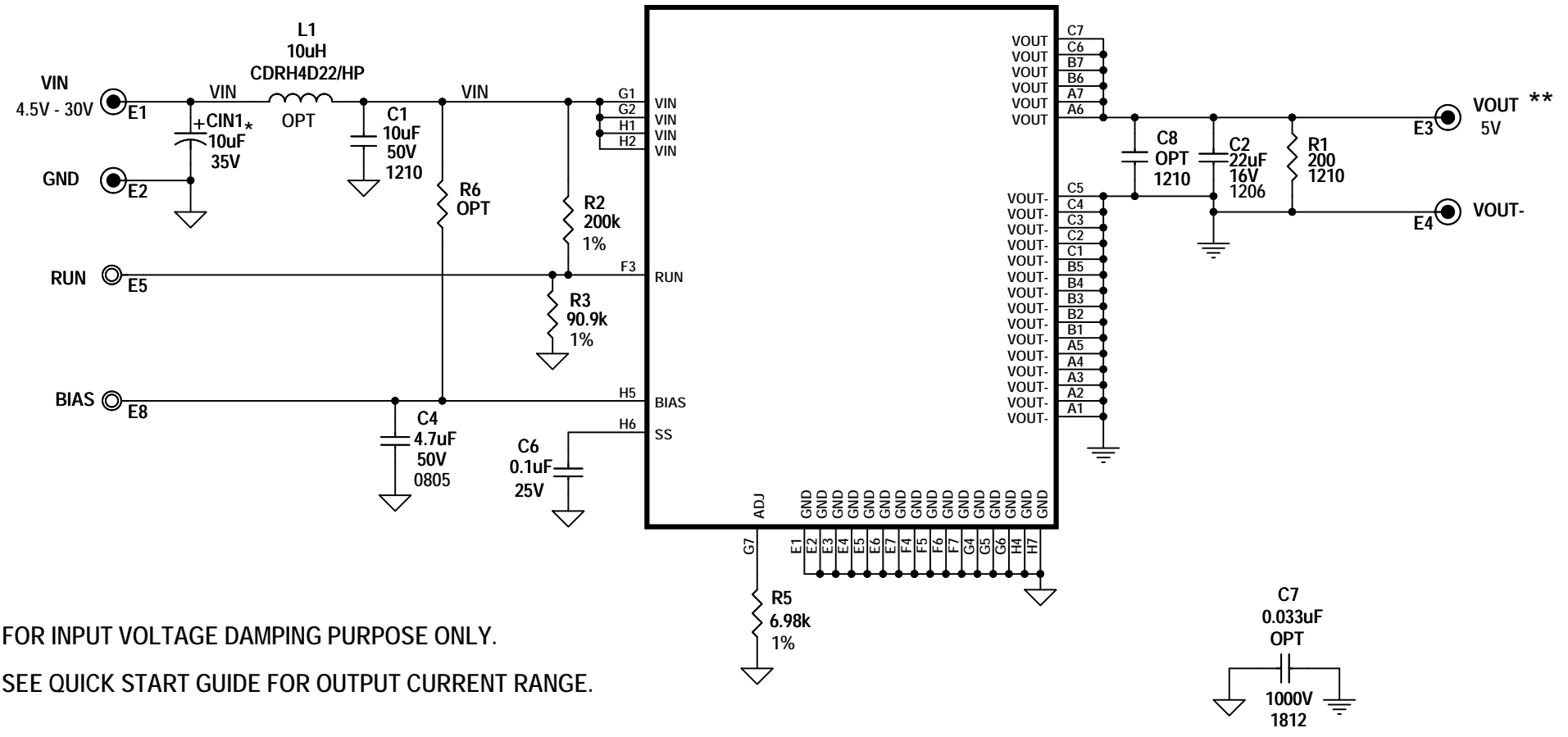


REVISION HISTORY				
ECO	REV	DESCRIPTION	APPROVED	DATE
—	1	PRODUCTION	EDWIN L.	08-08-11
	1-1	REBUILD CHANGE R5	EDWIN L.	10-15-13

U1
LTM8047EY



* FOR INPUT VOLTAGE DAMPING PURPOSE ONLY.

** SEE QUICK START GUIDE FOR OUTPUT CURRENT RANGE.

NOTE: UNLESS OTHERWISE SPECIFIED

- 1. ALL RESISTORS ARE 0603.
- ALL CAPACITORS ARE 0603.

<p>CUSTOMER NOTICE</p> <p>LINEAR TECHNOLOGY HAS MADE A BEST EFFORT TO DESIGN A CIRCUIT THAT MEETS CUSTOMER-SUPPLIED SPECIFICATIONS; HOWEVER, IT REMAINS THE CUSTOMER'S RESPONSIBILITY TO VERIFY PROPER AND RELIABLE OPERATION IN THE ACTUAL APPLICATION. COMPONENT SUBSTITUTION AND PRINTED CIRCUIT BOARD LAYOUT MAY SIGNIFICANTLY AFFECT CIRCUIT PERFORMANCE OR RELIABILITY. CONTACT LINEAR TECHNOLOGY APPLICATIONS ENGINEERING FOR ASSISTANCE.</p>	<p>APPROVALS</p>		<p>1630 McCarthy Blvd. Milpitas, CA 95035 Phone: (408)432-1900 www.linear.com Fax: (408)434-0507 LTC Confidential-For Customer Use Only</p>	
	PCB DES.	JW		<p>TITLE: SCHEMATIC</p> <p>ISOLATED MODULE® DC/DC CONVERTER</p>
	APP ENG.	EDWIN L.		
<p>THIS CIRCUIT IS PROPRIETARY TO LINEAR TECHNOLOGY AND SUPPLIED FOR USE WITH LINEAR TECHNOLOGY PARTS.</p>	<p>SCALE = NONE</p>	<p>SIZE N/A</p> <p>IC NO. LTM8047EY</p> <p>DEMO CIRCUIT 1693A</p>	<p>REV. 1-1</p>	
<p>DATE: Tuesday, October 15, 2013</p>		<p>SHEET 1 OF 1</p>		